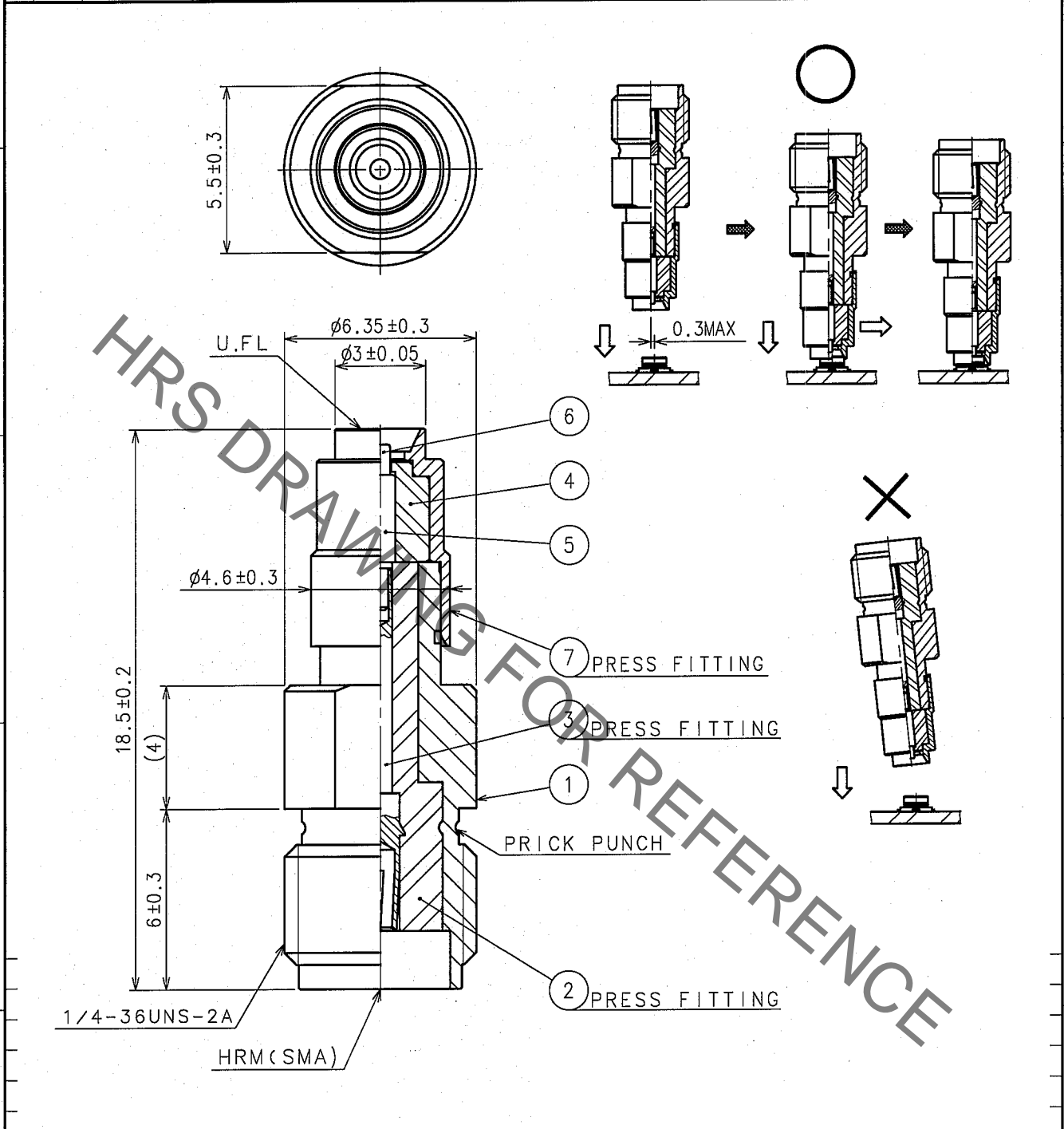


May.1.2020 Copyright 2020 HIROSE ELECTRIC CO., LTD. All Rights Reserved.
 In case of consideration for using Automotive equipment / device which demand high reliability, kindly contact our sales window correspondents.

1				2				3				4			
COUNT	DESCRIPTION OF REVISIONS	BY	CHKD	DATE	COUNT	DESCRIPTION OF REVISIONS	BY	CHKD	DATE	COUNT	DESCRIPTION OF REVISIONS	BY	CHKD	DATE	
△					△					△					
△					△					△					
△					△					△					



4	PTFE		7	STAINLESS STEEL	GOLD PLATING
3	BERYLLIUM COPPER	GOLD PLATING	6	BERYLLIUM COPPER	GOLD PLATING(FREE CONTACT)
2	PTFE		5	BRASS	GOLD PLATING
1	BRASS	NICKEL PLATING			
NO.	MATERIAL	FINISH, REMARKS	NO.	MATERIAL	FINISH, REMARKS

CODE NO. (OLD)		DRAWN	DESIGNED	CHECKED	APPROVED	RELEASED
ROHS COMPLIANT		<i>N. Ninomiya</i> '05.09.01	<i>N. Ninomiya</i> '05.09.01	<i>H. Shimizu</i> '05.09.01	<i>J. Mitani</i> '05.09.02	
DRAWING NO. EDC4-310623			PART NO. HRMJ-U.FLP-ST4			
SCALE 5 : 1			CODE NO. CL311-0409-1			
UNITS mm			1/1			
HRS HIROSE ELECTRIC CO., LTD.			FORM NO. 228			

TO
RF