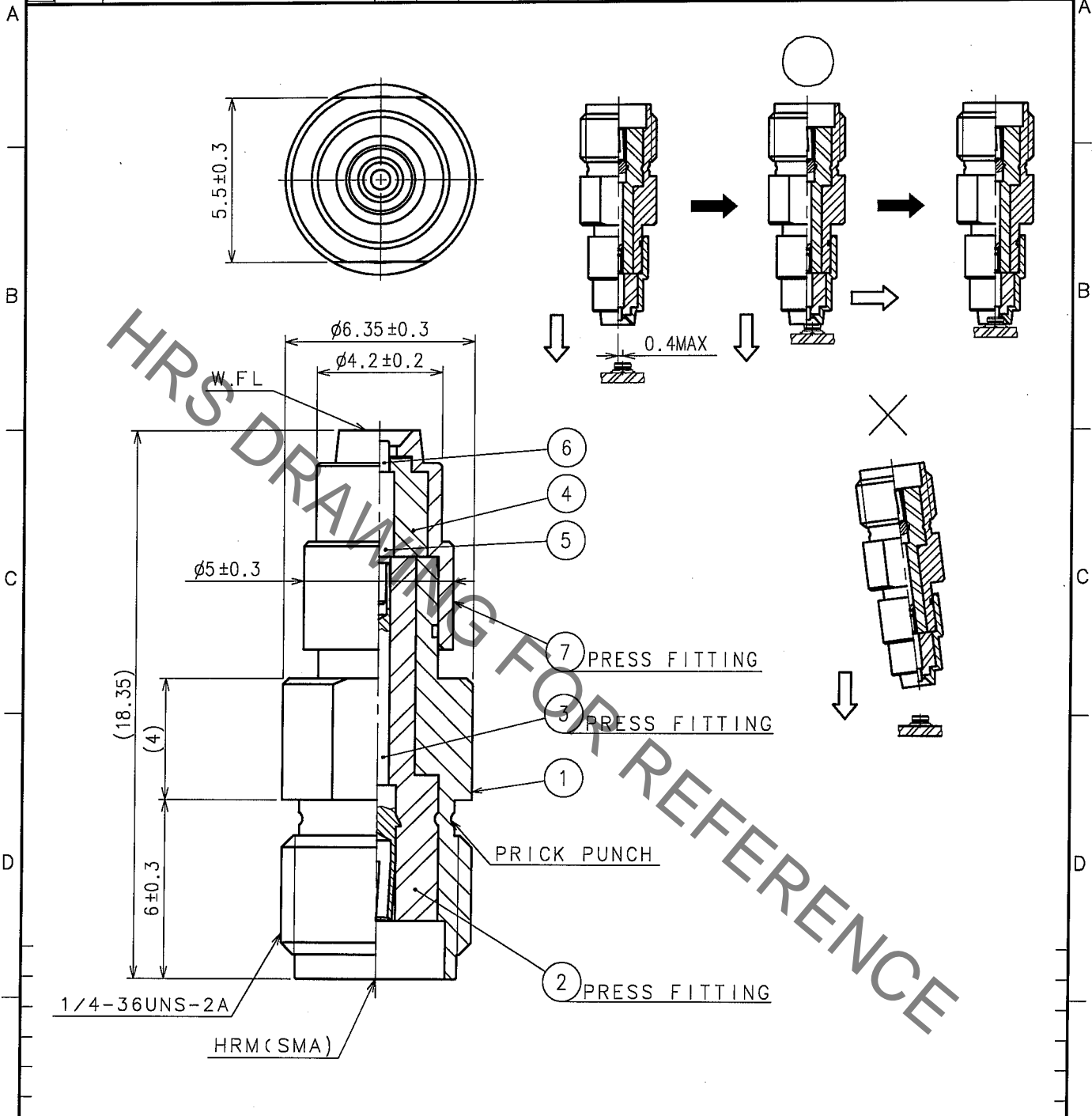


Jun.1.2020 Copyright 2020 HIROSE ELECTRIC CO., LTD. All Rights Reserved.
 In case of consideration for using Automotive equipment / device which demand high reliability, kindly contact our sales window correspondents.

1				2				3				4			
COUNT	DESCRIPTION OF REVISIONS			BY	CHKD	DATE	COUNT	DESCRIPTION OF REVISIONS			BY	CHKD	DATE		
△							△								
△							△								
△							△								



4	PTFE		7	STAINLESS STEEL	GOLD PLATING
3	BERYLLIUM COPPER	GOLD PLATING	6	BERYLLIUM COPPER	GOLD PLATING(FREE CONTACT)
2	PTFE		5	BRASS	GOLD PLATING
1	BRASS	NICKEL PLATING			
NO.	MATERIAL	FINISH, REMARKS	NO.	MATERIAL	FINISH, REMARKS

CODE NO. (OLD) CL311-0386-8-00		DRAWN <i>N. Ninomiya</i> 05.05.21	DESIGNED <i>N. Ninomiya</i> 05.05.21	CHECKED <i>M. Yamane</i> 05.05.23	APPROVED <i>I. Matsui</i> 05.05.24	RELEASED
RoHS COMPLIANT						

	DRAWING NO. EDC4-302680-40	PART NO. HRMJ-W.FLP-ST1(40)
	SCALE 5 : 1	CODE NO. CL311-0386-8-40
UNITS mm	HIROSE ELECTRIC CO., LTD.	

TO
RF

