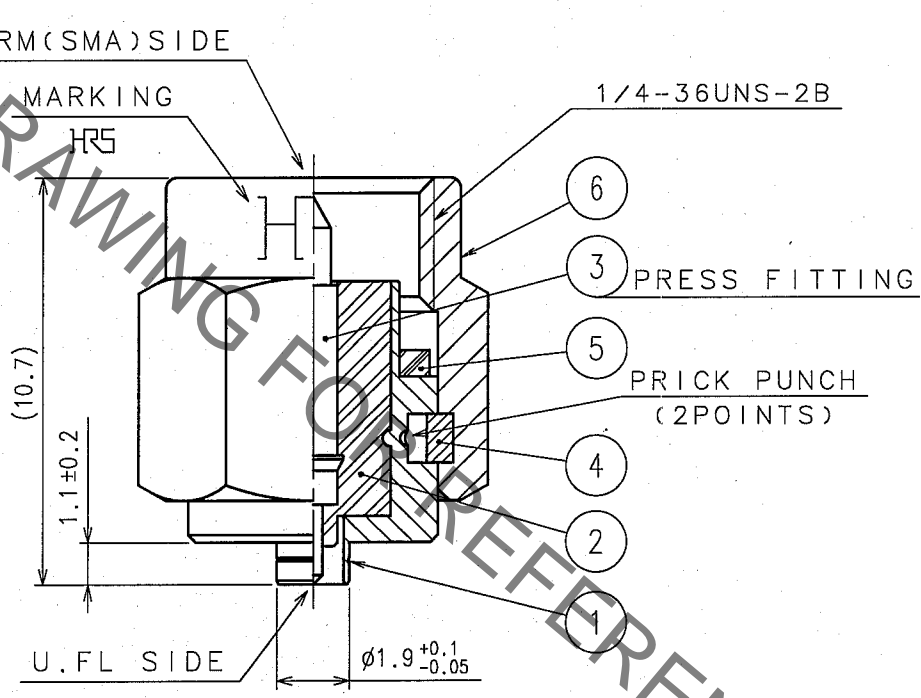
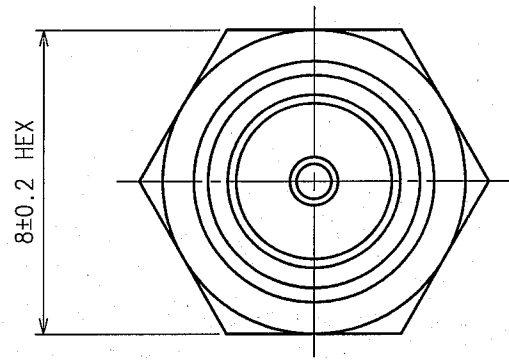


Jun.1.2020 Copyright 2020 HIROSE ELECTRIC CO., LTD. All Rights Reserved.
In case of consideration for using Automotive equipment / device which demand high reliability, kindly contact our sales window correspondents.

1			2			3			4					
COUNT	DESCRIPTION OF REVISIONS	BY	CHKD	DATE	COUNT	DESCRIPTION OF REVISIONS	BY	CHKD	DATE	COUNT	DESCRIPTION OF REVISIONS	BY	CHKD	DATE
△				..	△			
△				..	△			
△				..	△			



HRS DRAWING FOR REFERENCE

NOTE. USE ONLY FOR ELECTRICAL MEASUREMENT
BECAUSE OF NO LOCKING DEVICE IN MATING
PORTION ON U.FL SIDE.

3	BRASS	GOLD PLATED	6	STAINLESS STEEL	PASSIVATE
2	PTFE		5	SILICONE RUBBER	(RED)
1	STAINLESS STEEL	NICKEL PLATED	4	BERYLLIUM COPPER	NICKEL PLATED
NO.	MATERIAL	FINISH, REMARKS	NO.	MATERIAL	FINISH, REMARKS

CODE NO. (OLD)	DRAWN	DESIGNED	CHECKED	APPROVED	RELEASED
CL	Y. Sugiyama	T. Katayama	H. Shinizu	I. Mitani	
	05.11.22	05.11.22	05.11.24	05.11.24	

 SCALE 5 : 1 UNITS mm	DRAWING NO. EDC4-131959-40 HRS HIROSE ELECTRIC CO., LTD.	PART NO. HRMP-U.FLJ(40) CODE NO. CL311-0300-2-40 1/1
-----------------------------------	--	--

TO
RF

