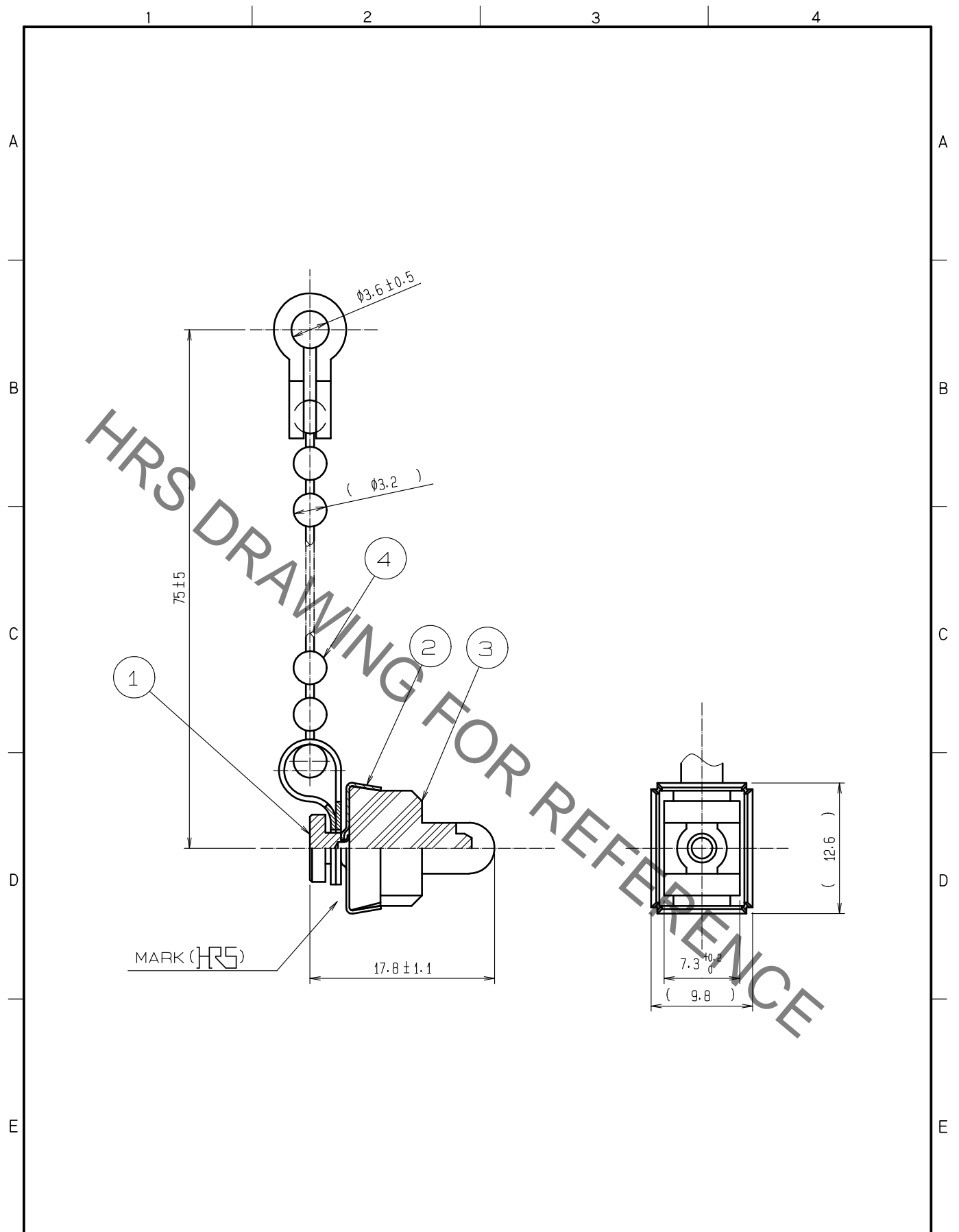


Jun.1.2020 Copyright 2020 HIROSE ELECTRIC CO., LTD. All Rights Reserved.
 In case of consideration for using Automotive equipment / device which demand high reliability, kindly contact our sales window correspondents.



| 2 | Brass | Nickel plated | 4 | Stainless steel | | | |
|---------------------------|----------|--------------------------|-----------|--------------------------|------------------|---------|------|
| 1 | Brass | Nickel plated | 3 | Synthetic rubber | Black | | |
| NO. | MATERIAL | FINISH . REMARKS | NO. | MATERIAL | FINISH . REMARKS | | |
| UNITS mm | | SCALE 2 : 1 | COUNT | DESCRIPTION OF REVISIONS | DESIGNED | CHECKED | DATE |
| HIROSE ELECTRIC CO., LTD. | | APPROVED : MT. SHIBUTANI | 18.03.28 | DRAWING NO. | EDC-040637-31-00 | | |
| | | CHECKED : MT. SHIBUTANI | 18.03.28 | PART NO. | HSC-C2(31) | | |
| | | DESIGNED : FS. YOSHIDA | 18.03.28 | CODE NO. | CL704-0061-8-31 | | |
| | | DRAWN : FS. YOSHIDA | 18.03.28 | | | | 1 |