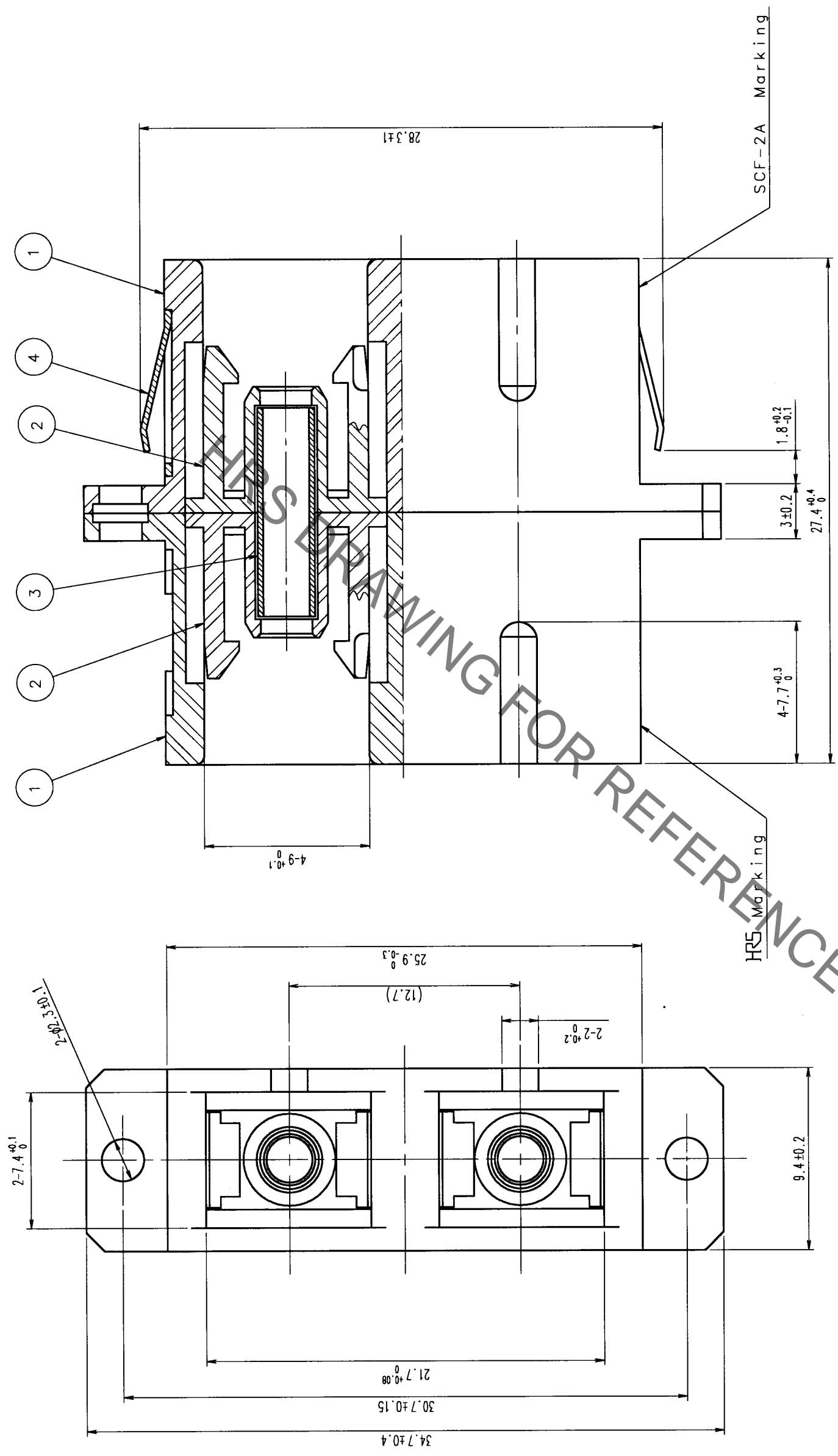


1	2	3	4	5	6	7	8		
COUNT	DESCRIPTION OF REVISIONS	BY	CHKD	DATE	COUNT	DESCRIPTION OF REVISIONS	BY	CHKD	DATE
△				..	△				..
△				..	△				..
△				..	△				..

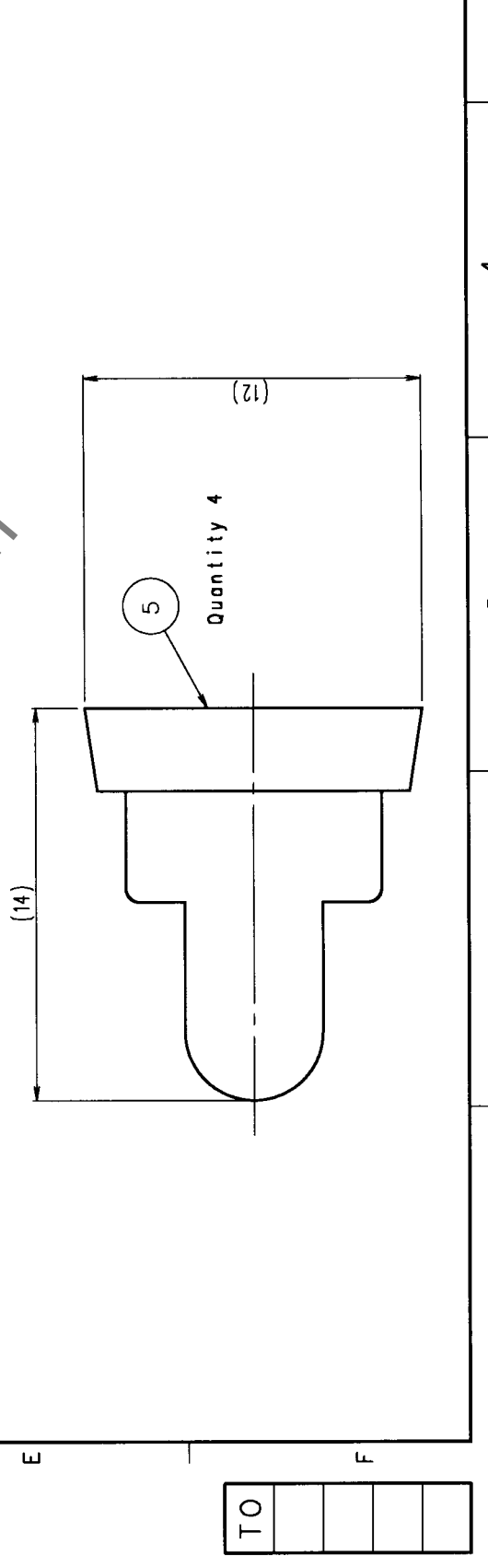


NO.	MATERIAL	FINISH, REMARKS	NO.	MATERIAL	FINISH, REMARKS
3	Zirconia		5	Synthetic rubber	Black
2	Synthetic resins	Blue	4	Stainless steel	
1	Synthetic resins	Blue			

CODE NO. (OLD)	DRAWN	DESIGNED	CHECKED	APPROVED	RELEASED
	F. Yoshi	F. Yoshi	S. Arima	F. Nagai	
	00 6 9	00 6 9	00 6 9	00 6 9	

DRAWING NO.	PART NO.
EDC3-047843	HSCF-2A-D (P)

SCALE	UNITS	CODE NO.
4 : 1	mm	CL704-2040-9



TO