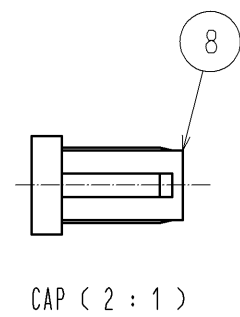
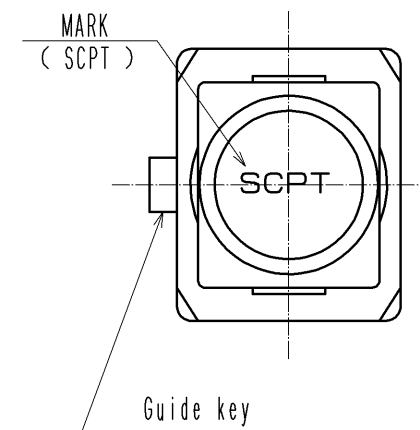
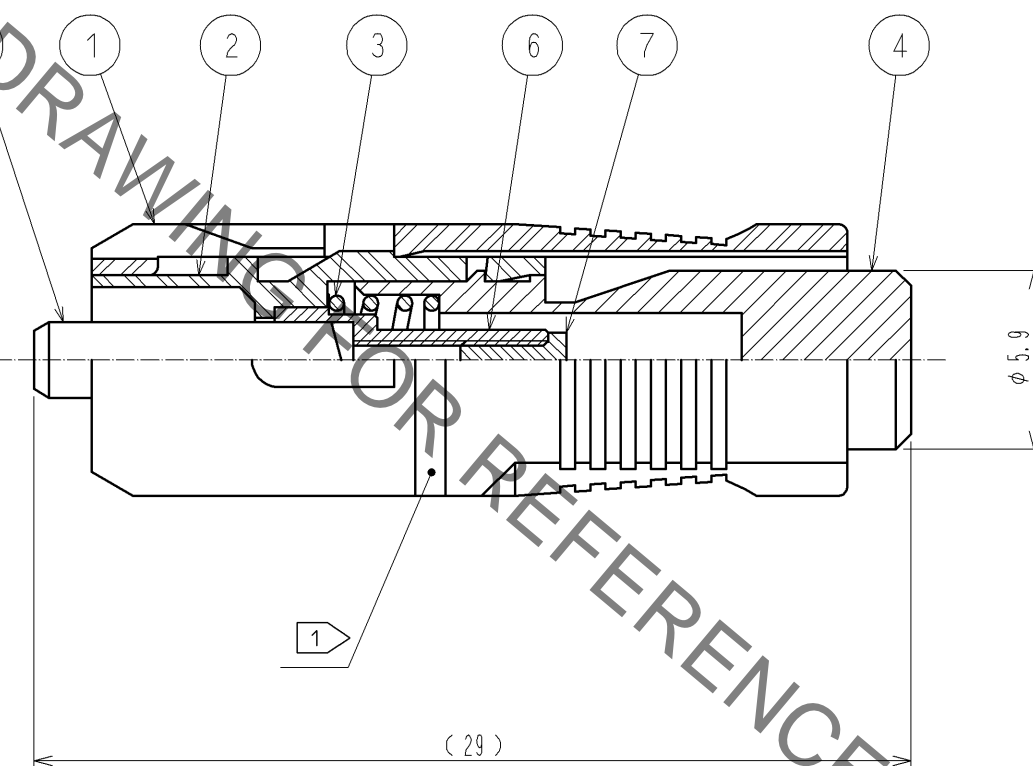
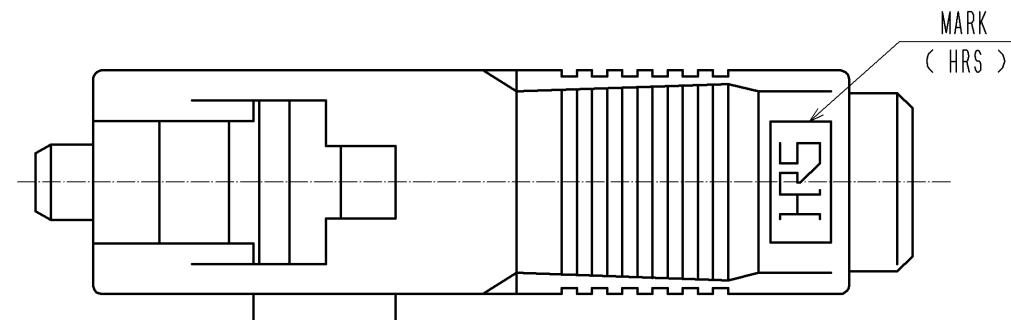
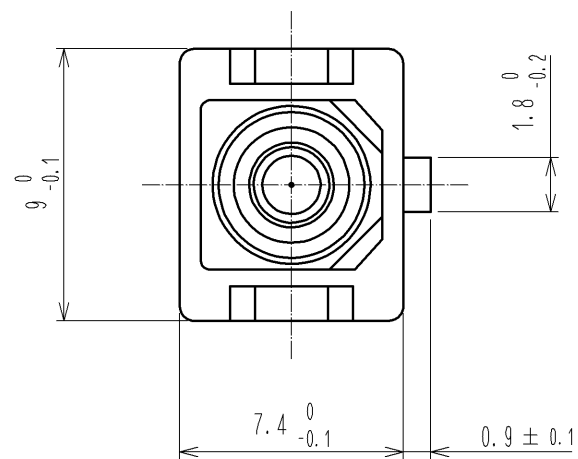


May.1.2020 Copyright 2020 HIROSE ELECTRIC CO., LTD. All Rights Reserved.
In case of consideration for using Automotive equipment / device which demand high reliability, kindly contact our sales window correspondents.



NOTE 1 It is white marking . printed on both of the guide key side and the reverse side.

NO.	MATERIAL	FINISH .	REMARKS	NO.	MATERIAL	FINISH .	REMARKS
4	Brass	Nickel Plating		8	TPEE	Black	
3	Stainless steel			7	Brass	Nickel Plating	
2	PBT	White		6	Stainless steel		
1	PBT	Blue		5	Zirconia		

UNITS	SCALE	COUNT	DESCRIPTION OF REVISIONS	DESIGNED	CHECKED	DATE
mm	4 : 1	△				
APPROVED : MT. SHIBUTANI			12.02.27	DRAWING NO. EDC3-047847-40		
CHECKED : FS. YOSHIDA			12.02.27	PART NO. HSC-TM-P1(40)		
DESIGNED : KS. JOKURA			12.02.24	CODE NO. CL821-0005-0-40		
DRAWN : SR. TOYOKAWA			12.02.20	1/1		