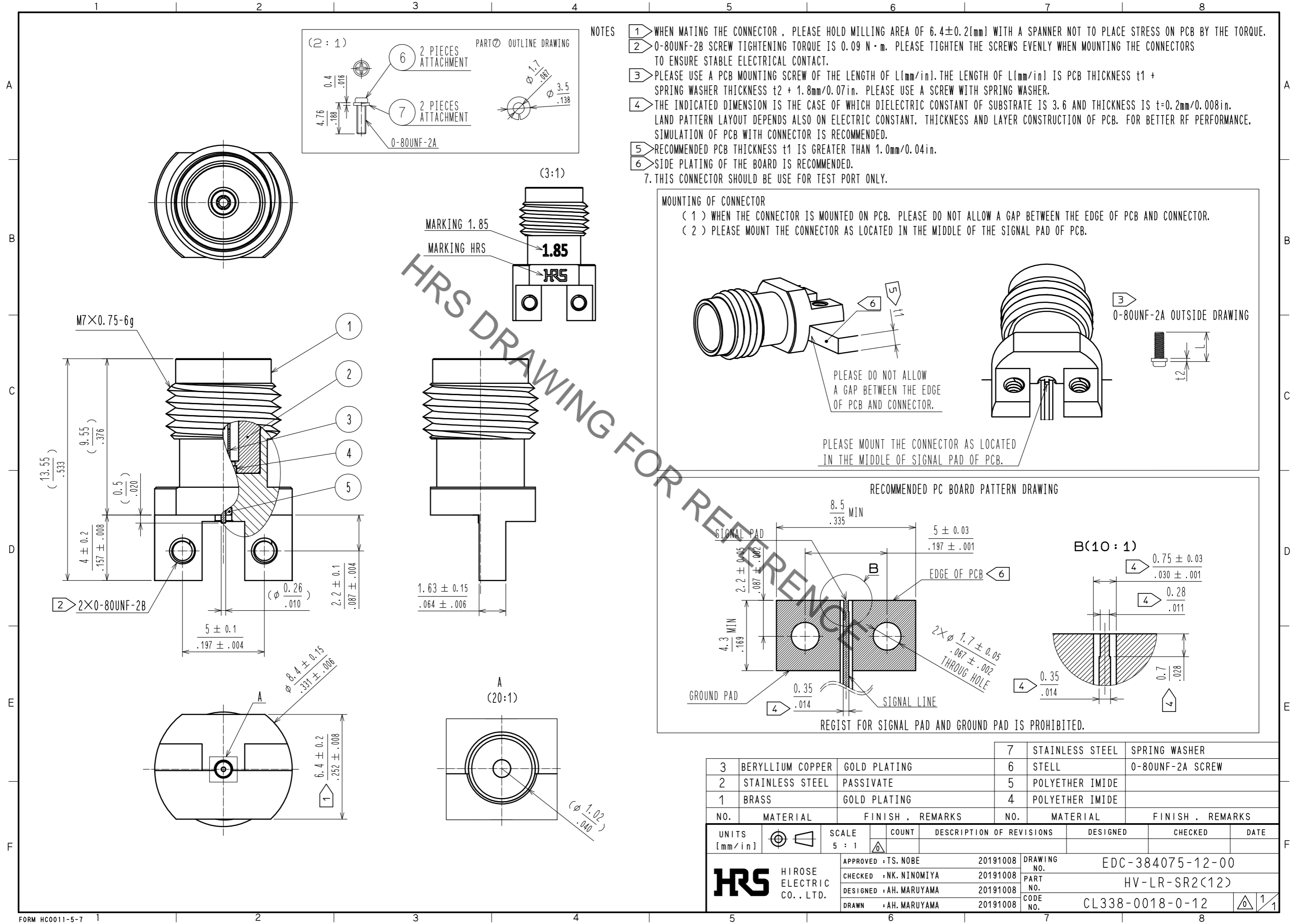


May.1.2020 Copyright 2020 HIROSE ELECTRIC CO., LTD. All Rights Reserved.  
In case of consideration for using Automotive equipment / device which demand high reliability, kindly contact our sales window correspondents.



3	BERYLLIUM COPPER	GOLD PLATING	7	STAINLESS STEEL	SPRING WASHER
2	STAINLESS STEEL	PASSIVATE	6	STELL	0-80UNF-2A SCREW
1	BRASS	GOLD PLATING	5	POLYETHER IMIDE	
NO.	MATERIAL	FINISH . REMARKS	NO.	MATERIAL	FINISH . REMARKS

UNITS		SCALE	COUNT	DESCRIPTION OF REVISIONS	DESIGNED	CHECKED	DATE
[mm/in]		5 : 1					
APPROVED : TS. NOBE				20191008	DRAWING NO. EDC-384075-12-00		
CHECKED : NK. NINOMIYA				20191008	PART NO. HV-LR-SR2(12)		
DESIGNED : AH. MARUYAMA				20191008	CODE NO. CL338-0018-0-12		
DRAWN : AH. MARUYAMA				20191008	1/1		