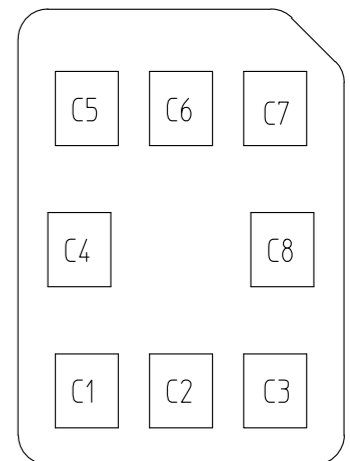
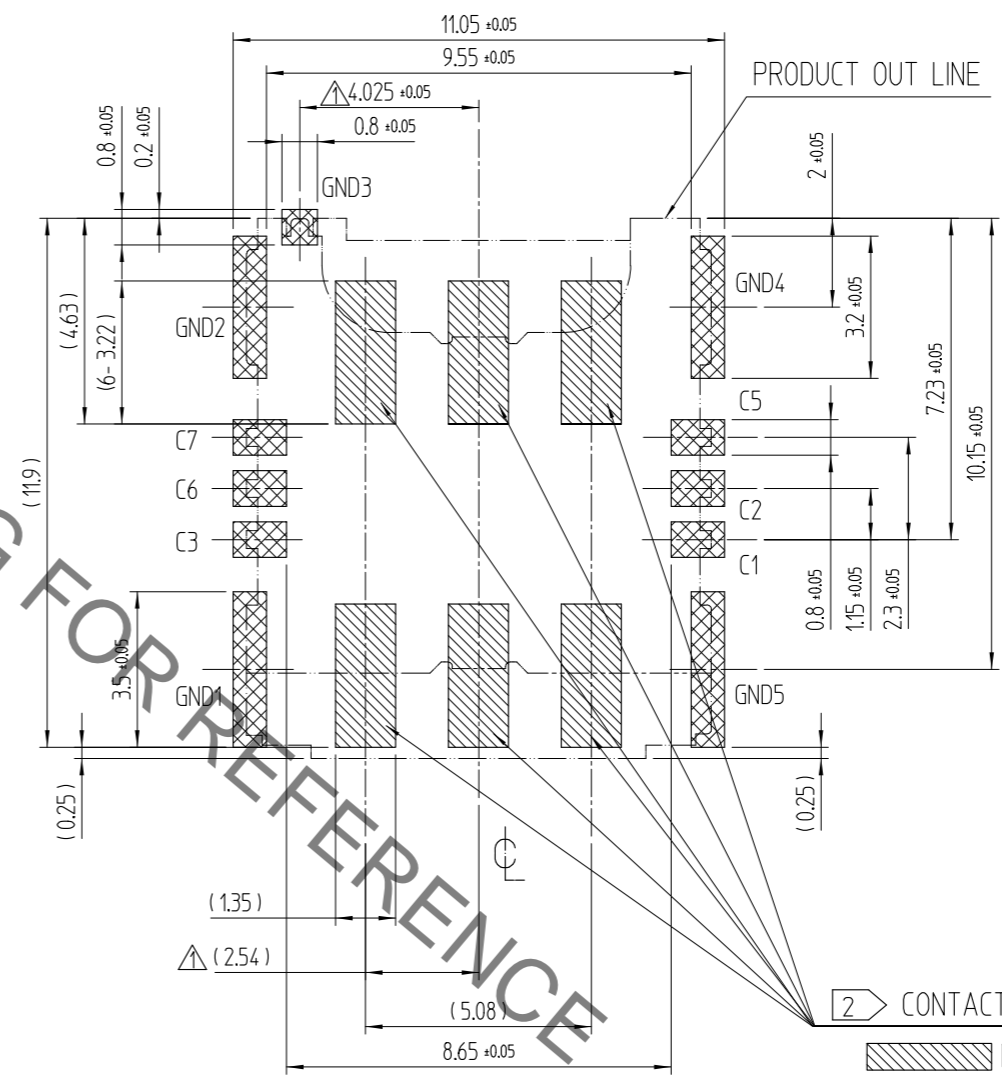
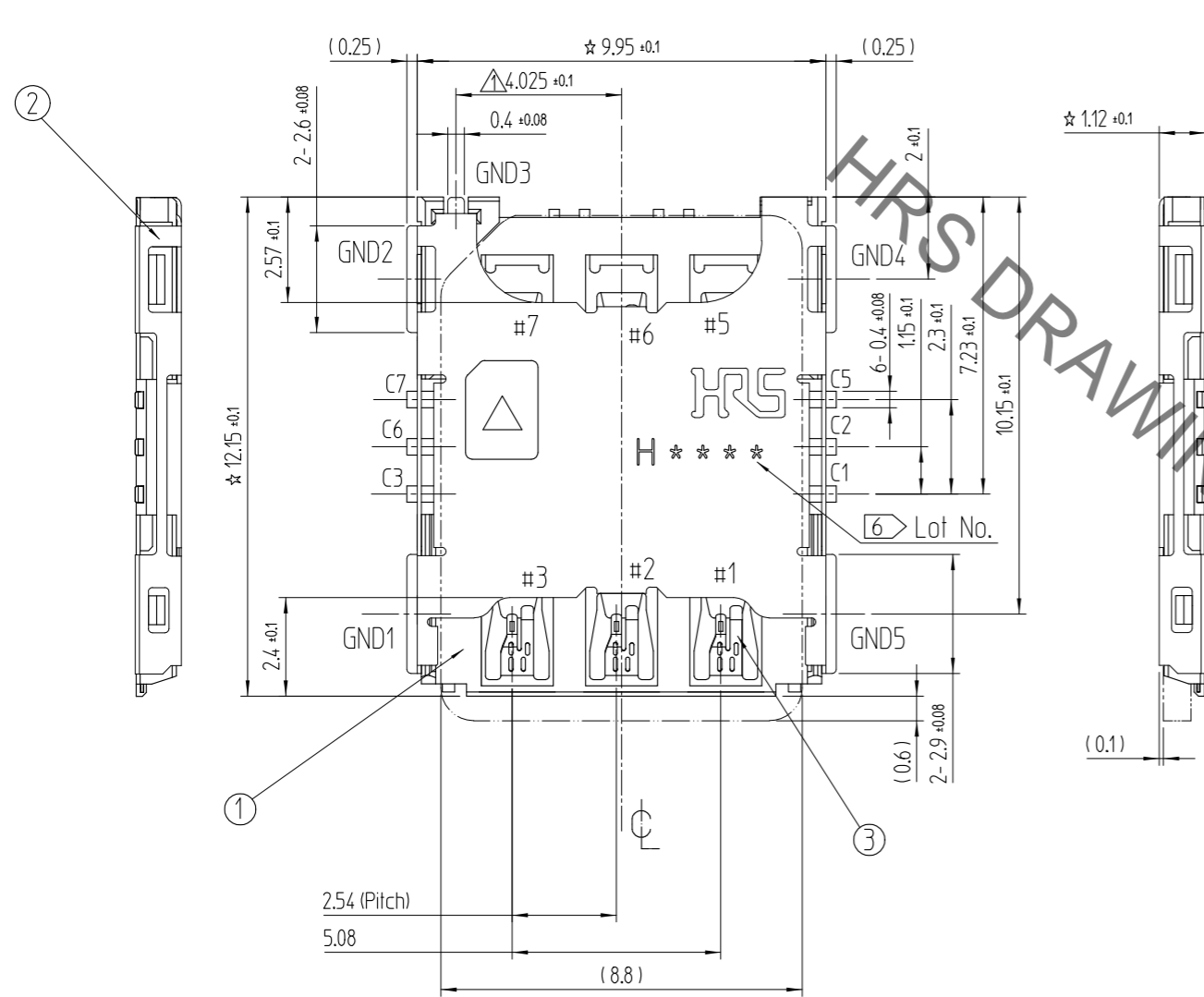


Jun.1.2020 Copyright 2020 HIROSE ELECTRIC CO., LTD. All Rights Reserved.  
In case of consideration for using Automotive equipment / device which demand high reliability, kindly contact our sales window correspondents.

△數 COUNT	訂正事項 DISCRIPTION OF REVISIONS	擔當 B Y	檢圖 CHKD	年月日 DATE	△數 COUNT	訂正事項 DISCRIPTION OF REVISIONS	擔當 B Y	檢圖 CHKD	年月日 DATE
7	RE-5-1589	N.J.W	A.B.H	17. 02. 27					

- △ 1. CO-PLANRITY SHALL BE 0.1mm MAX (BEFORE & AFTER REFLOW)
- ② NO PATTERNS PERMITTED IN THIS OBLIQUE - HATCHED AREA
- ③ SOLDER AREA - CROSS HATCHED AREA
- 4 PRODUCT SHALL NOT EXPOSE FROM THE PCB



NANO SIM CARD PAD LAY OUT

PIN No.	Name
C1	Vcc
C2	RST
C3	CLK
C5	GND
C6	Vpp
C7	I/O

NANO SIM CARD ASSIGNMENT

DRAWING FOR REFERENCE  
This is subject to change without notice

RECOMMEND PCB PATTERN LAYOUT (TOLERANCE : ±0.05)

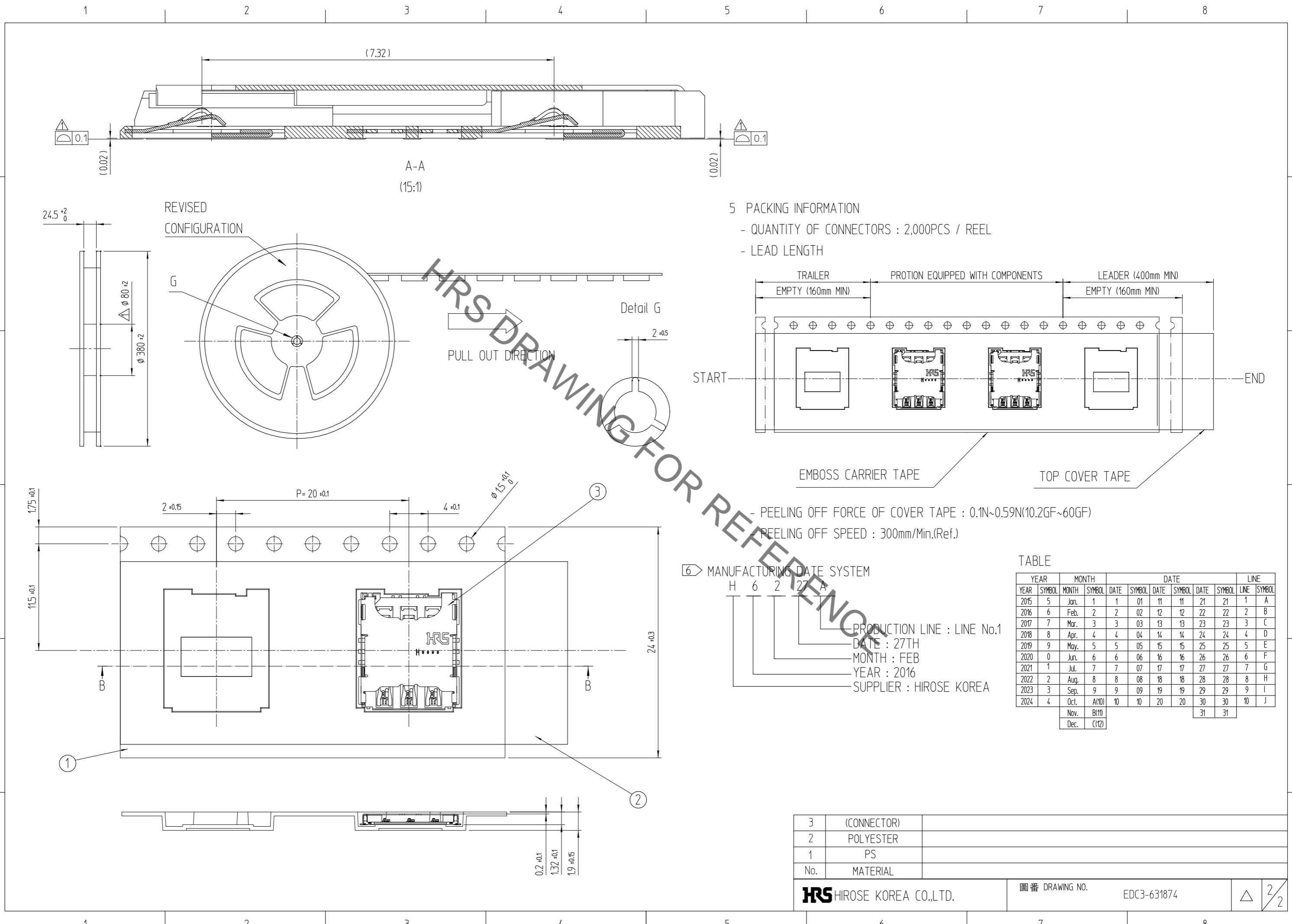
RECOMMEND METAL MASK THICKNESS = 0.12mm

NO.	MATERIAL	FINISH,REMARKS	NO.	MATERIAL	FINISH,REMARKS
2	STAINLESS STEEL	MOUNTING AREA Au over Ni	3	COPPER ALLOY	CONTACT AREA Au over Pd-Ni over Ni
1	LCP	BLACK UL94-V0			MOUNTING AREA Au over Ni

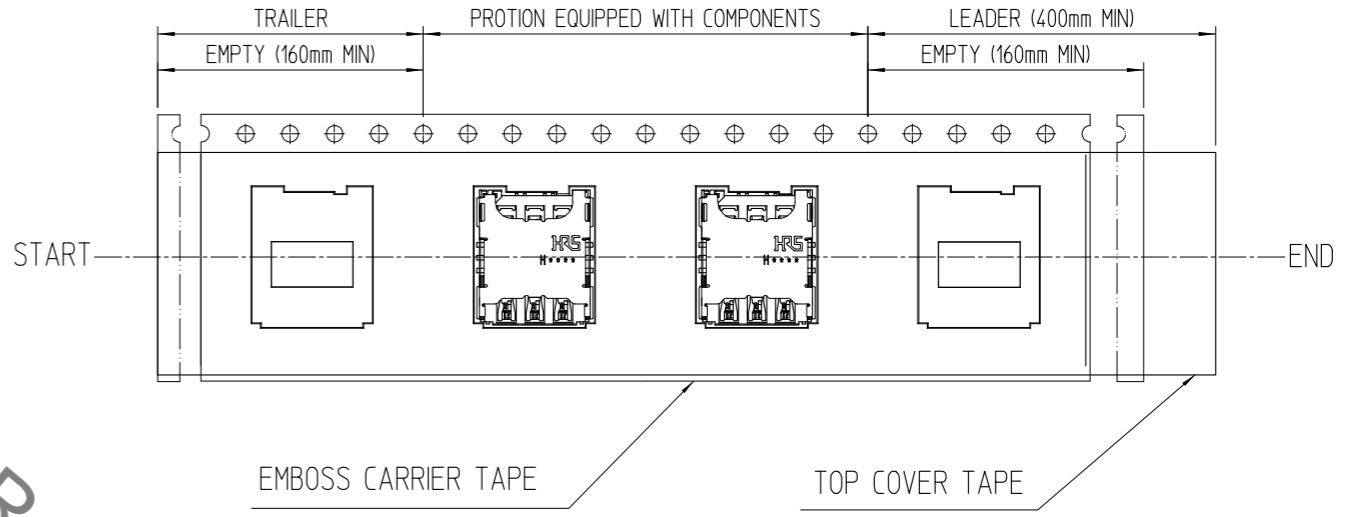
CODE NO. (OLD)	DRAWN	DESIGNED	CHECKED	APPROVED	RELEASED
	M.J.CHEON 15.02.04	M.J.CHEON 15.02.04	J.H.CHOI 15.02.04	H.C.SONG 15.02.04	ENG 17.02.28 DEPT

	DRAWING NO. EDC3-631874	PART NO. KP13C-6S-SF(800)
SCALE 5:1 UNITS mm	<b>HRS</b> HIROSE KOREA CO.,LTD.	CODE NO 6530-0007-2-800

Jun.1.2020 Copyright 2020 HIROSE ELECTRIC CO., LTD. All Rights Reserved.  
 In case of consideration for using Automotive equipment / device which demand high reliability, kindly contact our sales window correspondents.



5 PACKING INFORMATION  
 - QUANTITY OF CONNECTORS : 2,000PCS / REEL  
 - LEAD LENGTH



- PEELING OFF FORCE OF COVER TAPE : 0.1N~0.59N(10.2GF~60GF)  
 - PEELING OFF SPEED : 300mm/Min.(Ref.)

6 MANUFACTURING DATE SYSTEM  
 H 6 2 27 A  
 PRODUCTION LINE : LINE No.1  
 DATE : 27TH  
 MONTH : FEB  
 YEAR : 2016  
 SUPPLIER : HIROSE KOREA

TABLE

YEAR	MONTH	DATE								LINE	
YEAR	SYMBOL	MONTH	SYMBOL	DATE	SYMBOL	DATE	SYMBOL	DATE	SYMBOL	LINE	SYMBOL
2015	5	Jan.	1	1	01	11	11	21	21	1	A
2016	6	Feb.	2	2	02	12	12	22	22	2	B
2017	7	Mar.	3	3	03	13	13	23	23	3	C
2018	8	Apr.	4	4	04	14	14	24	24	4	D
2019	9	May.	5	5	05	15	15	25	25	5	E
2020	0	Jun.	6	6	06	16	16	26	26	6	F
2021	1	Jul.	7	7	07	17	17	27	27	7	G
2022	2	Aug.	8	8	08	18	18	28	28	8	H
2023	3	Sep.	9	9	09	19	19	29	29	9	I
2024	4	Oct.	A(10)	10	10	20	20	30	30	10	J
		Nov.	B(11)					31	31		
		Dec.	C(12)								

3	(CONNECTOR)	
2	POLYESTER	
1	PS	
No.	MATERIAL	