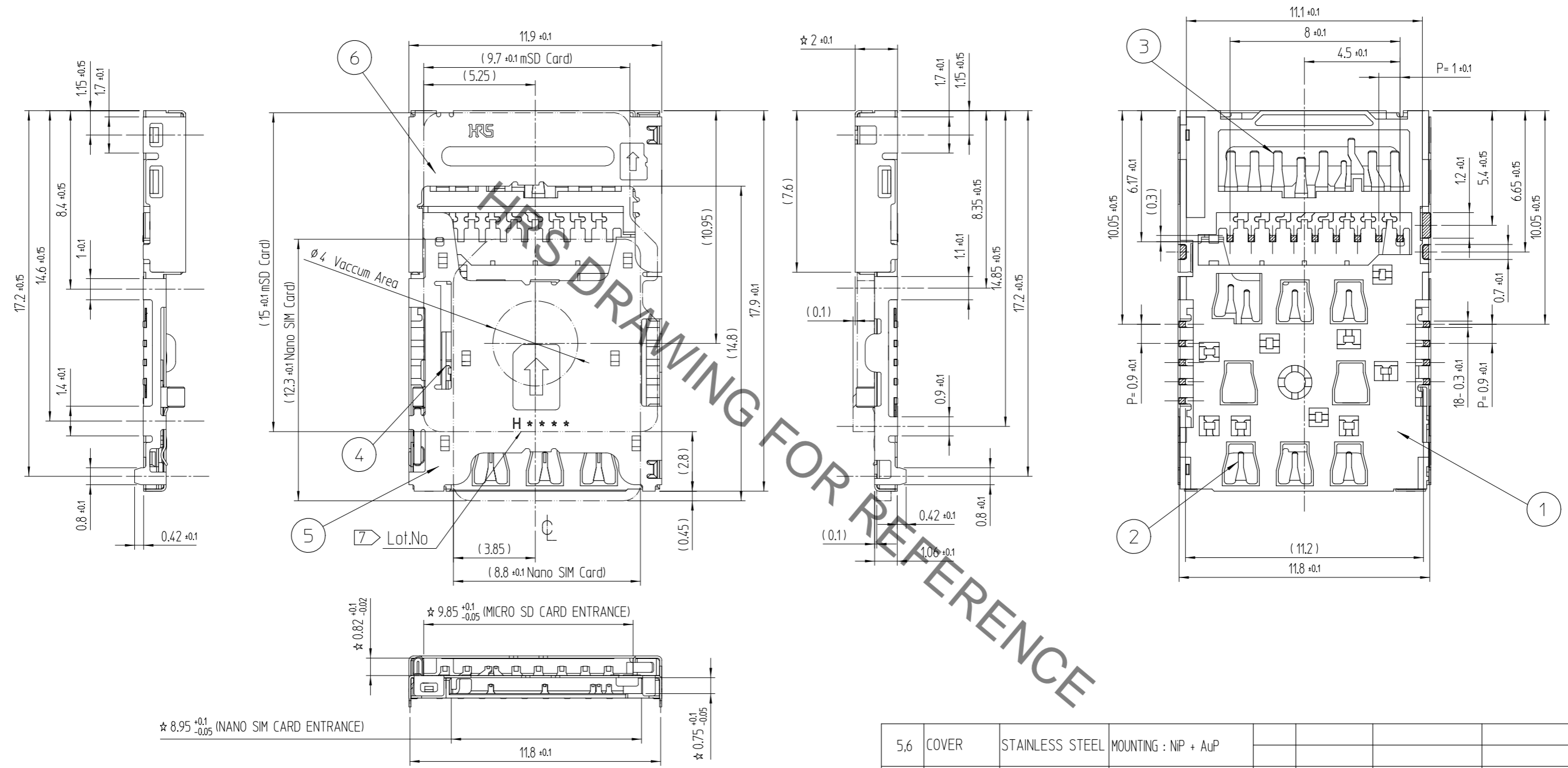


Jun.1.2020 Copyright 2020 HIROSE ELECTRIC CO., LTD. All Rights Reserved.
In case of consideration for using Automotive equipment / device which demand high reliability, kindly contact our sales window correspondents.

REFERENCE DRAWING

| △數 COUNT | 訂正事項 DESCRIPTION OF REVISIONS | 擔當 B Y | 檢圖 CHKD | 年月日 DATE | △數 COUNT | 訂正事項 DISCRPTION OF REVISIONS | 擔當 B Y | 檢圖 CHKD | 年月日 DATE |
|-------------|----------------------------------|-----------|------------|-------------|-------------|---------------------------------|-----------|------------|-------------|
| △ | | | | | △ | | | | |
| △ | | | | | △ | | | | |
| △ | | | | | △ | | | | |
| △ | | | | | △ | | | | |



- NOTE
- 1> CIRCUIT DIAGRAM DETECT SWITCH OF NANO SIM / MICRO SD CARD
 - 2 CO-PLANARITY SHALL BE 0.1mm MAX(BEFORE & AFTER REFLOW)
 - 3> NO PATTERNS PERMITTED IN THIS OBLIQUE - HATCHED AREA
 - 4> PACKING TYPE :TAPE AND REEL . 1,200PCS PER 1REEL
 - 5. MATES WITH
 - UPPER : MICRO SD CARD
 - LOWER : NANO SIM CARD
 - 6> CARD STOPPER RECOMMANDATION SIZE

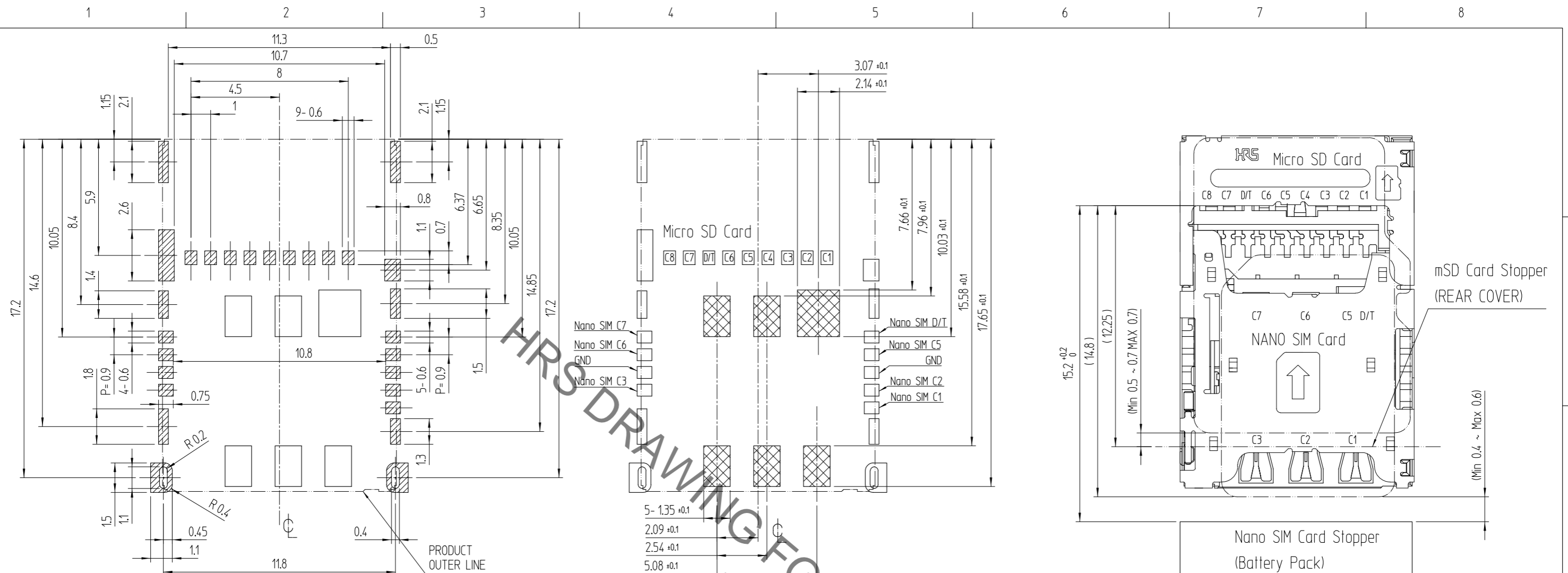
| 5,6 | COVER | STAINLESS STEEL | MOUNTING : NIP + AuP | | | | |
|-----|------------|-----------------|---|-----|------|----------|----------------|
| 4 | EJECT BAR | STAINLESS STEEL | - | | | | |
| 2,3 | SH-CONTACT | COPPER ALLOY | CONTACT : NIP + Pd-Ni + AuP MOUNTING : NIP + AuP | | | | |
| 1 | Ins.Base | LCP | BLACK / UL94-V0 | | | | |
| NO. | PART | MATERIAL | FINISH,REMARKS | NO. | PART | MATERIAL | FINISH,REMARKS |

| 寸分區分 OVER | 公差 TOLERANCE |
|--------------|-----------------|
| 0 | ± 0.05 |
| 6 | ± 0.08 |
| 15 | ± 0.1 |
| 30 | ± 0.15 |

角度 ANGULAR ± 1°

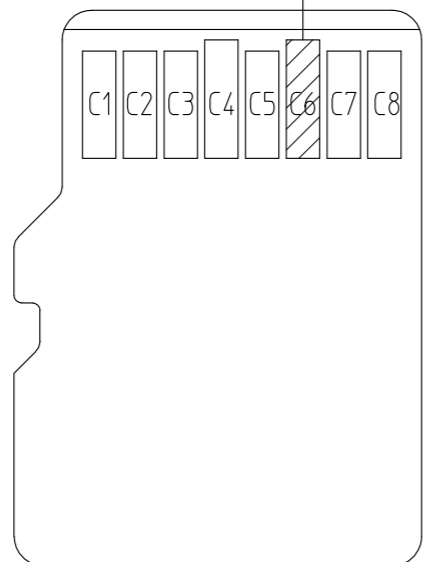
| UNLESS OTHERWISE SPECIFIED, SEE TABLE FOR TOLERANCES | | CODE NO. (OLD) | | DRAWN | DESIGNED | CHECKED | APPROVED | RELEASED |
|--|--|-----------------------------|--|---------------------------|----------------------|--------------------|----------------------|-------------------------|
| TITLE | | Nano SIM + mSD Combo Socket | | J.Y.JUNG 16.08.08 | J.Y.JUNG 16.08.08 | B.H.AN 16.08.08 | H.C.SONG 16.08.08 | ENG 17.02.24 DEPT |
| DRAWING NO. | | EDC3-631968 | | PART NO. | | KP15B-6S-SF(800) | | |
| SCALE | | 5:1 | | CODE NO. | | 6538-0005-8-800 | | 1/3 |
| UNITS | | mm | | HRS HIROSE KOREA CO.,LTD. | | | | |

Jun.1.2020 Copyright 2020 HIROSE ELECTRIC CO., LTD. All Rights Reserved.
In case of consideration for using Automotive equipment / device which demand high reliability, kindly contact our sales window correspondents.

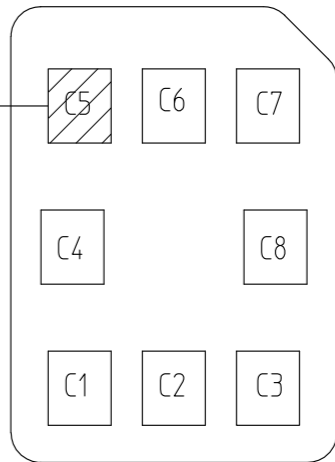
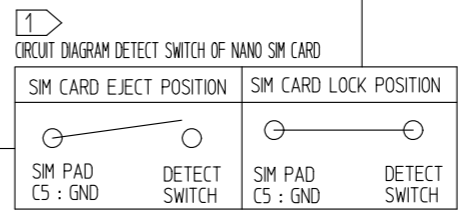
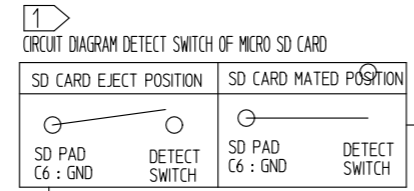


| PIN No. | Name |
|---------|-----------------------|
| C1 | DAT2 |
| C2 | CD/DATA3 |
| C3 | CMD |
| C4 | V _{DD} |
| C5 | CLK |
| C6 | V _{SS} (GND) |
| C7 | DAT0 |
| C8 | DAT1 |

MICRO SD CARD ASSIGNMENT



MICRO SD CARD PAD LAY OUT



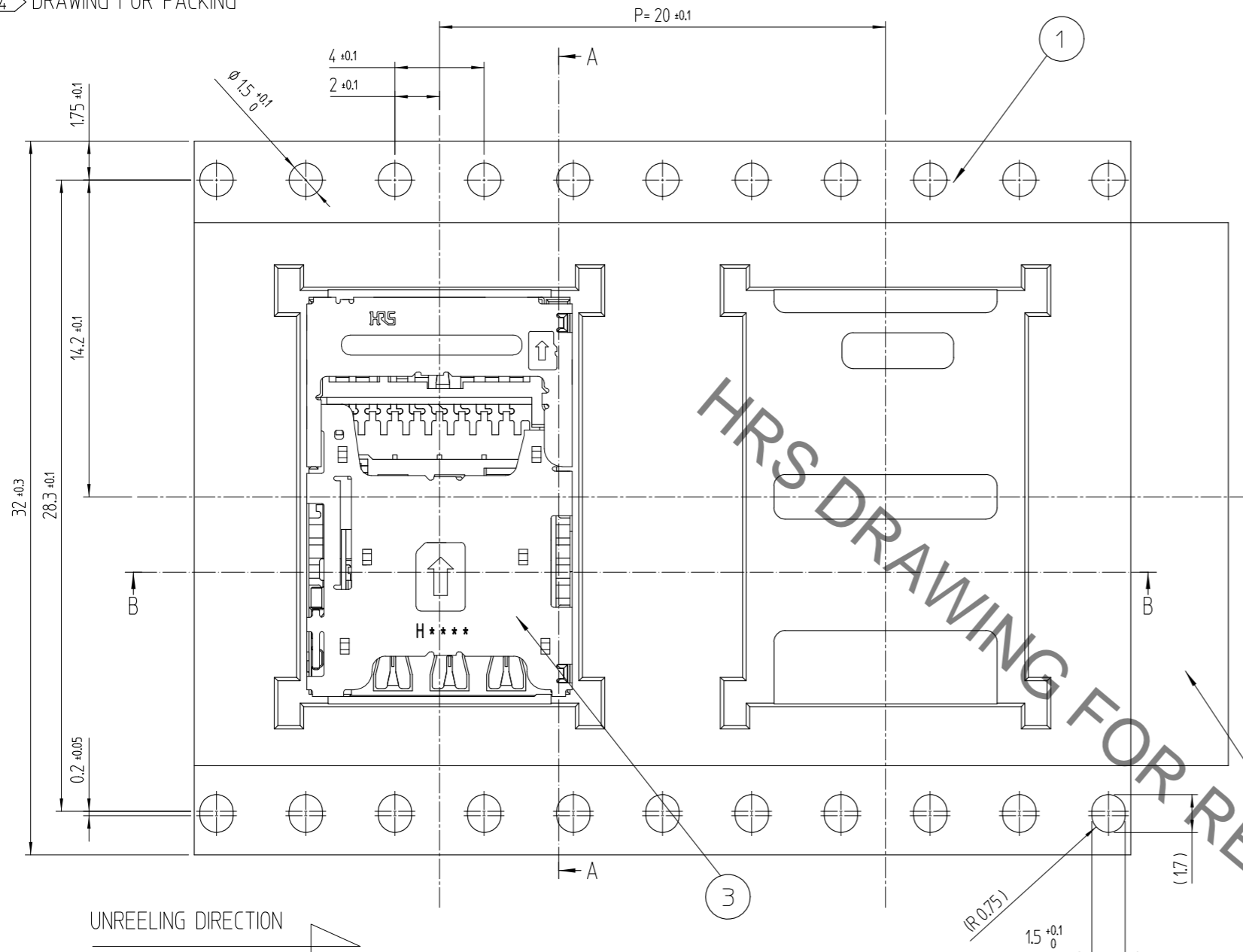
NANO SIM CARD PAD LAY OUT

| PIN No. | Name |
|---------|-----------------|
| C1 | V _{CC} |
| C2 | RST |
| C3 | CLK |
| C4 | Reserved |
| C5 | GND |
| C6 | V _{PP} |
| C7 | I/O |
| C8 | Reserved |

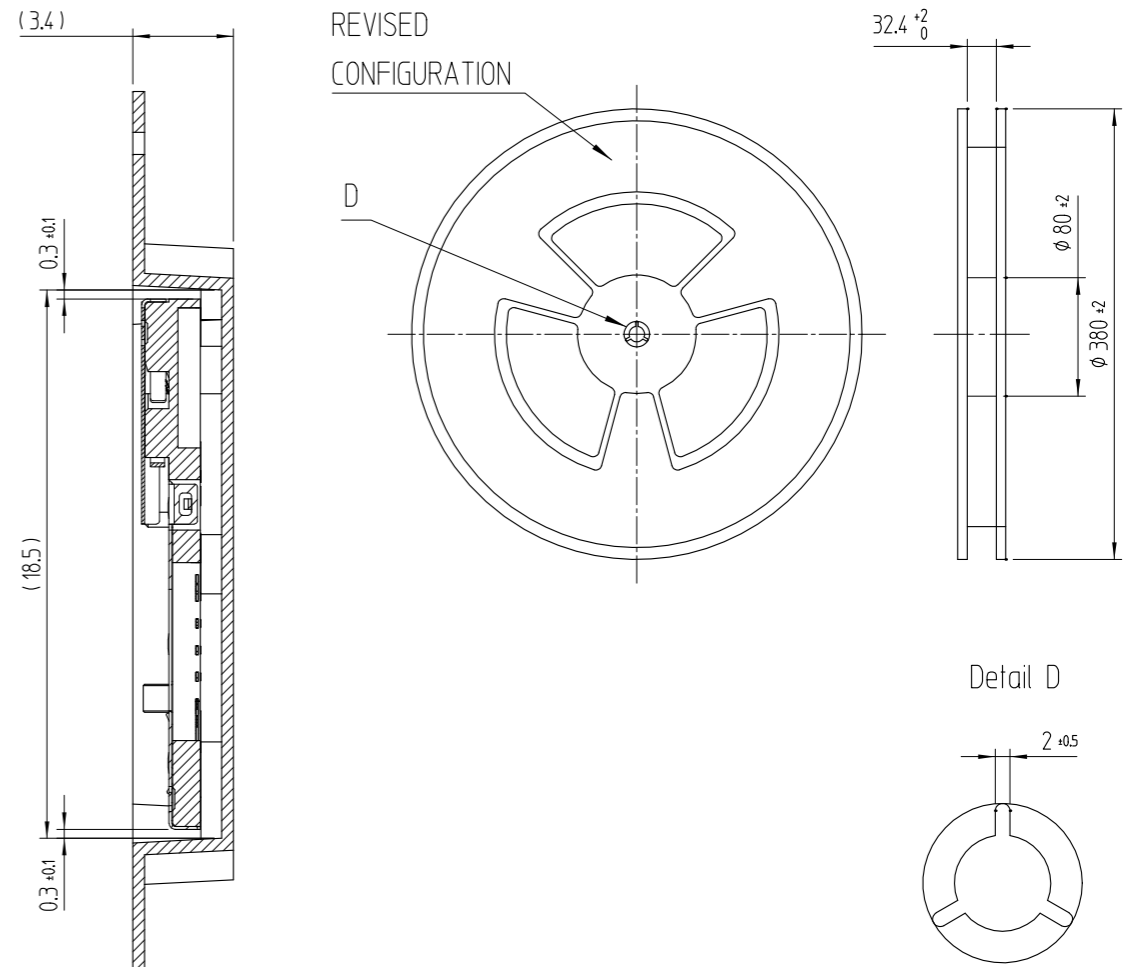
NANO SIM CARD ASSIGNMENT

Jun.1.2020 Copyright 2020 HIROSE ELECTRIC CO., LTD. All Rights Reserved.
 In case of consideration for using Automotive equipment / device which demand high reliability, kindly contact our sales window correspondents.

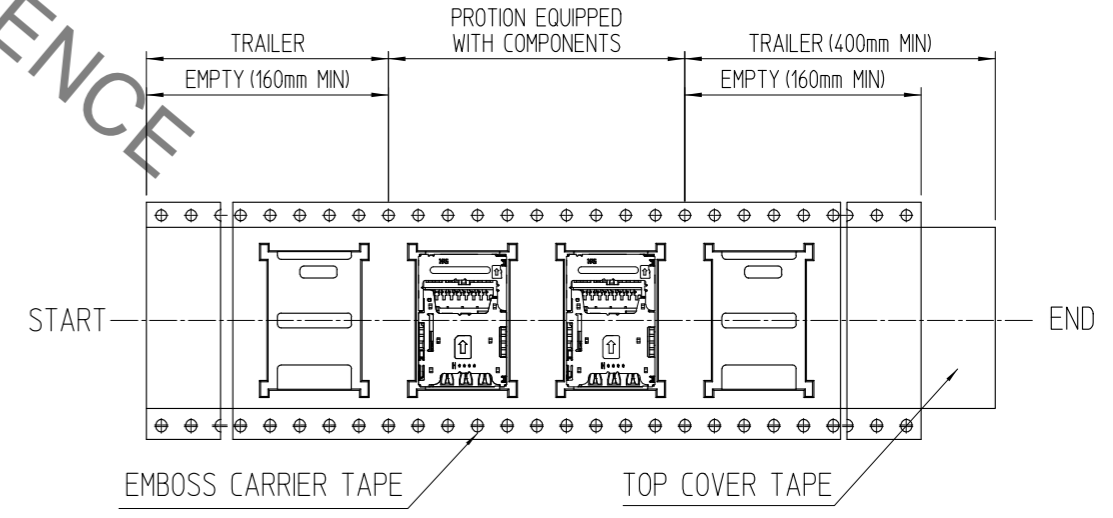
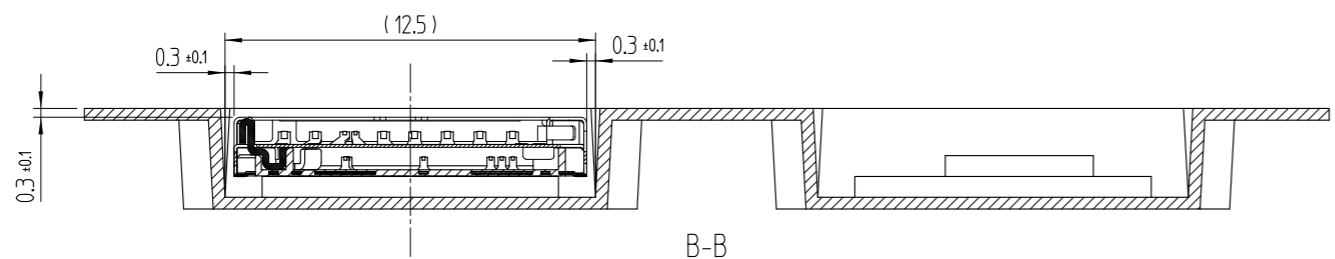
4 DRAWING FOR PACKING



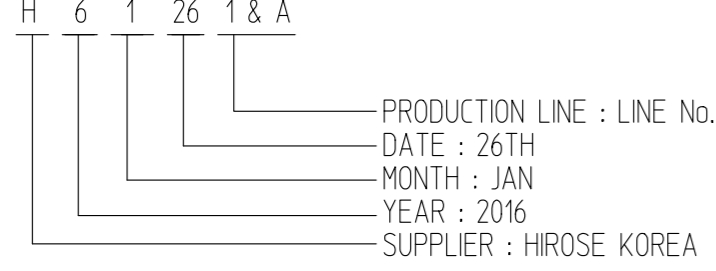
DETAIL OF REEL



UNREELING DIRECTION



7 MANUFACTURING DATE SYSTEM



7 TABLE.1

| YEAR | MONTH | DATE | | | | | | | |
|------|--------|-------|--------|------|--------|------|--------|------|--------|
| YEAR | SYMBOL | MONTH | SYMBOL | DATE | SYMBOL | DATE | SYMBOL | DATE | SYMBOL |
| 2016 | 6 | Jan. | 1 | 1 | 1 | 11 | 11 | 21 | 21 |
| 2017 | 7 | Feb. | 2 | 2 | 2 | 12 | 12 | 22 | 22 |
| 2018 | 8 | Mar. | 3 | 3 | 3 | 13 | 13 | 23 | 23 |
| 2019 | 9 | Apr. | 4 | 4 | 4 | 14 | 14 | 24 | 24 |
| 2020 | 0 | May. | 5 | 5 | 5 | 15 | 15 | 25 | 25 |
| 2021 | 1 | Jun. | 6 | 6 | 6 | 16 | 16 | 26 | 26 |
| 2022 | 2 | Jul. | 7 | 7 | 7 | 17 | 17 | 27 | 27 |
| 2023 | 3 | Aug. | 8 | 8 | 8 | 18 | 18 | 28 | 28 |
| 2024 | 4 | Sep. | 9 | 9 | 9 | 19 | 19 | 29 | 29 |
| 2025 | 5 | Oct. | A | 10 | 10 | 20 | 20 | 30 | 30 |
| | | Nov. | B | | | | | 31 | 31 |
| | | Dec. | C | | | | | | |

| | | |
|---------------------------|---------------------|----------------------------|
| 3 | (CONNECTOR) | |
| 2 | TOP COVER TAPE | POLYESTER |
| 1 | EMBOSS CARRIER TAPE | PS |
| No. | PART | MATERIAL |
| HRS HIROSE KOREA CO.,LTD. | | 圖番 DRAWING NO. EDC3-631968 |

3/3