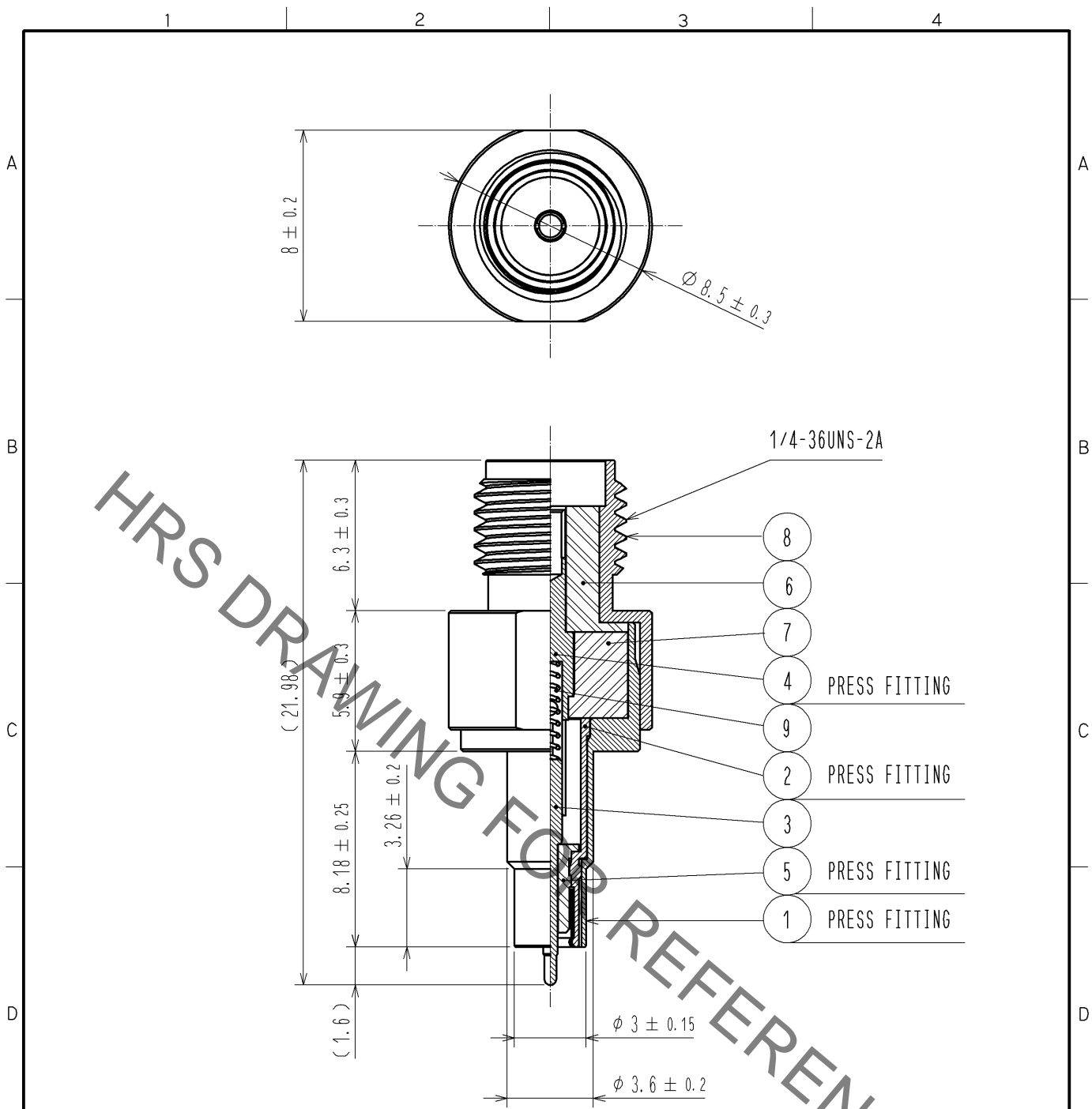


Jun.1.2020 Copyright 2020 HIROSE ELECTRIC CO., LTD. All Rights Reserved.
 In case of consideration for using Automotive equipment / device which demand high reliability, kindly contact our sales window correspondents.



NOTE. Use this product with MS-156C(CL358-0251-2).

| 5 | PTFE | | | 9 | STAINLESS STEEL | GOLD PLATING | |
|-----|------------------|--------------|---------|-----|-----------------|--------------|---------|
| 4 | BERYLLIUM COPPER | GOLD PLATING | | 8 | STAINLESS STEEL | PASSIVATE | |
| 3 | BERYLLIUM COPPER | GOLD PLATING | | 7 | PTFE | | |
| 2 | BERYLLIUM COPPER | GOLD PLATING | | 6 | PTFE | | |
| 1 | STAINLESS STEEL | PASSIVATE | | | | | |
| NO. | MATERIAL | FINISH | REMARKS | NO. | MATERIAL | FINISH | REMARKS |

| UNITS mm | SCALE 4 : 1 | COUNT | DESCRIPTION OF REVISIONS | DESIGNED | CHECKED | DATE |
|----------------------------------|--------------------------|----------|--------------------------|-----------------|---------|------|
| | | | | | | |
| HIROSE ELECTRIC CO., LTD. | APPROVED : KY. SHIMIZU | 10.02.08 | DRAWING NO. | EDC4-180929-00 | | |
| | CHECKED : TY. OZAKI | 10.02.08 | PART NO. | MS-156-HRMJ-H1 | | |
| | DESIGNED : DS. YAMAKOSHI | 10.02.04 | CODE NO. | CL358-0290-4-00 | | |
| | DRAWN : TA. SATO | 09.10.07 | | 1/1 | | |