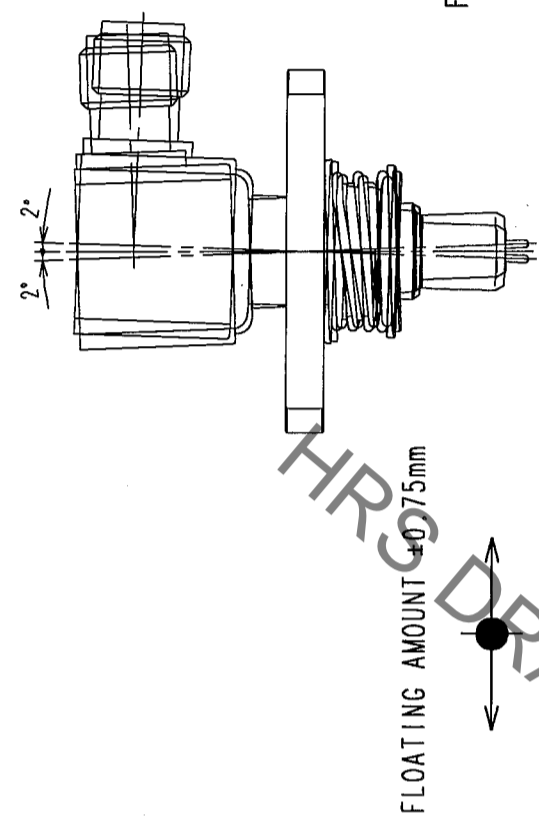


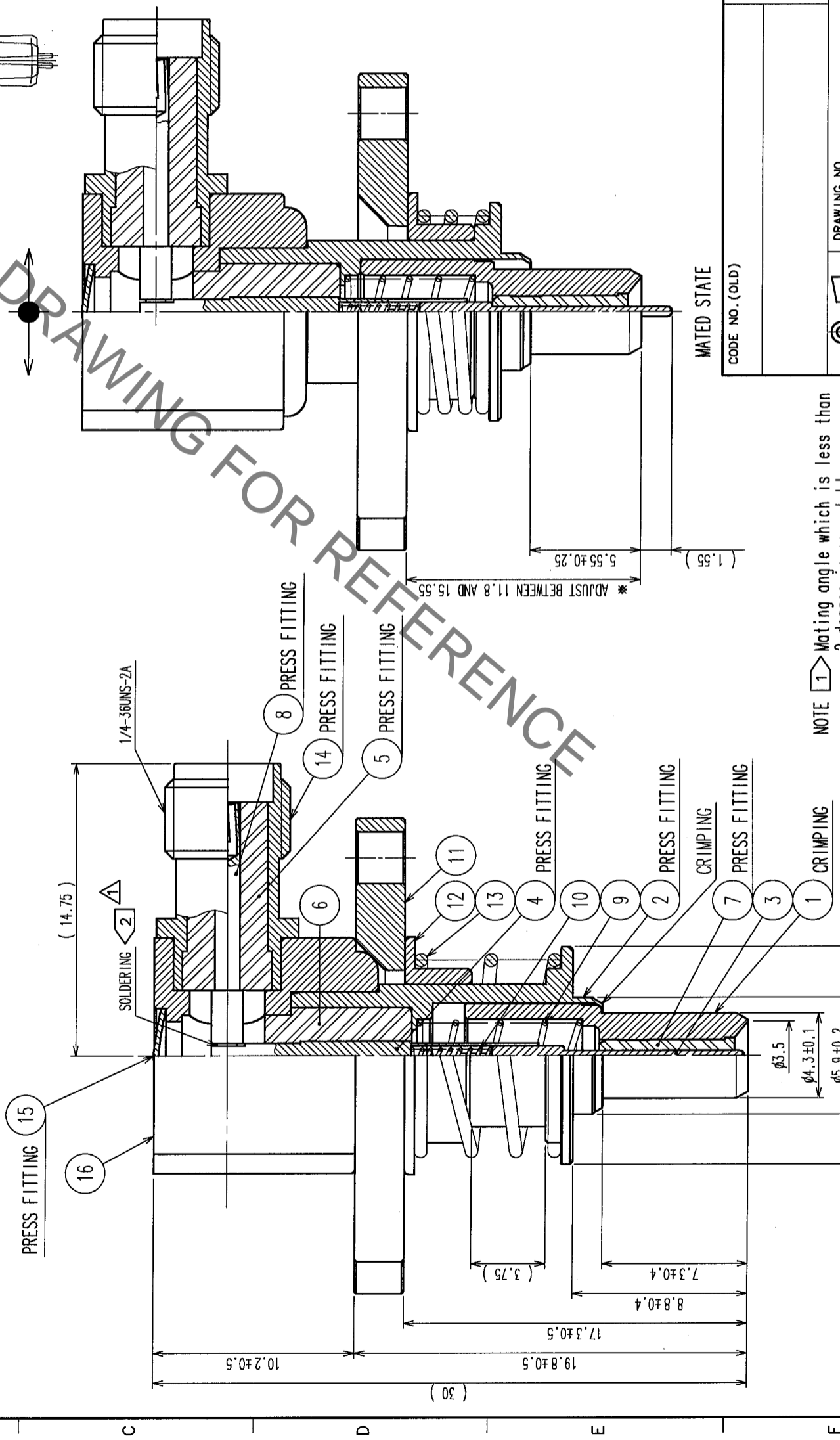
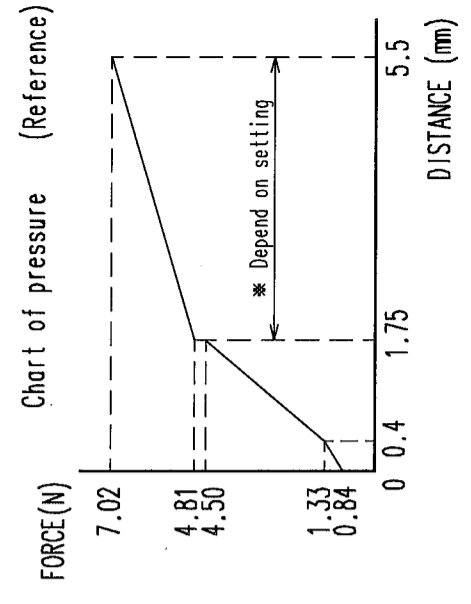
Jun.1.2020 Copyright 2020 HIROSE ELECTRIC CO., LTD. All Rights Reserved.
 In case of consideration for using Automotive equipment / device which demand high reliability, kindly contact our sales window correspondents.

COUNT	DESCRIPTION OF REVISIONS	BY	CHKD	DATE	COUNT	DESCRIPTION OF REVISIONS	BY	CHKD	DATE
2	RE-J-02288	N.S.R.K		050207					

FIGURE 1 (2:1)



FLOATING AMOUNT ± 0.75 mm



NOTE 1 Mating angle which is less than 2 degree is acceptable. (Refer to fig.1)
 2 Lead free solder (Sn3Ag0.5Cu) is used.

NO.	MATERIAL	FINISH, REMARKS
16	STAINLESS STEEL	PASSIVATE
15	BRASS	NICKEL PLATING
14	STAINLESS STEEL	PASSIVATE
13	STAINLESS STEEL	
12	PHOSPHOR BRONZE	NICKEL PLATING
11	STAINLESS STEEL	PASSIVATE
10	STAINLESS STEEL	GOLD PLATING
9	STAINLESS STEEL	GOLD PLATING
8	BERYLLIUM COPPER	GOLD PLATING
7	PTFE	
6	PTFE	
5	PTFE	
4	BERYLLIUM COPPER	GOLD PLATING
3	BERYLLIUM COPPER	GOLD PLATING
2	BERYLLIUM COPPER	GOLD PLATING
1	BERYLLIUM COPPER	GOLD PLATING

CODE NO. (OLD)	DRAWING NO.	PART NO.	CODE NO.
	EDC3-180463	MS-156LP-HRMJ-4	

DESIGNED	CHECKED	APPROVED	RELEASED
N.SHIRAI	N.SHIRAI	R.KANO	K.KAWAMURA
'04.10.26	'04.10.26	'04.10.27	'04.10.28

SCALE	UNITS
4 : 1	MM

TO	
RFD	