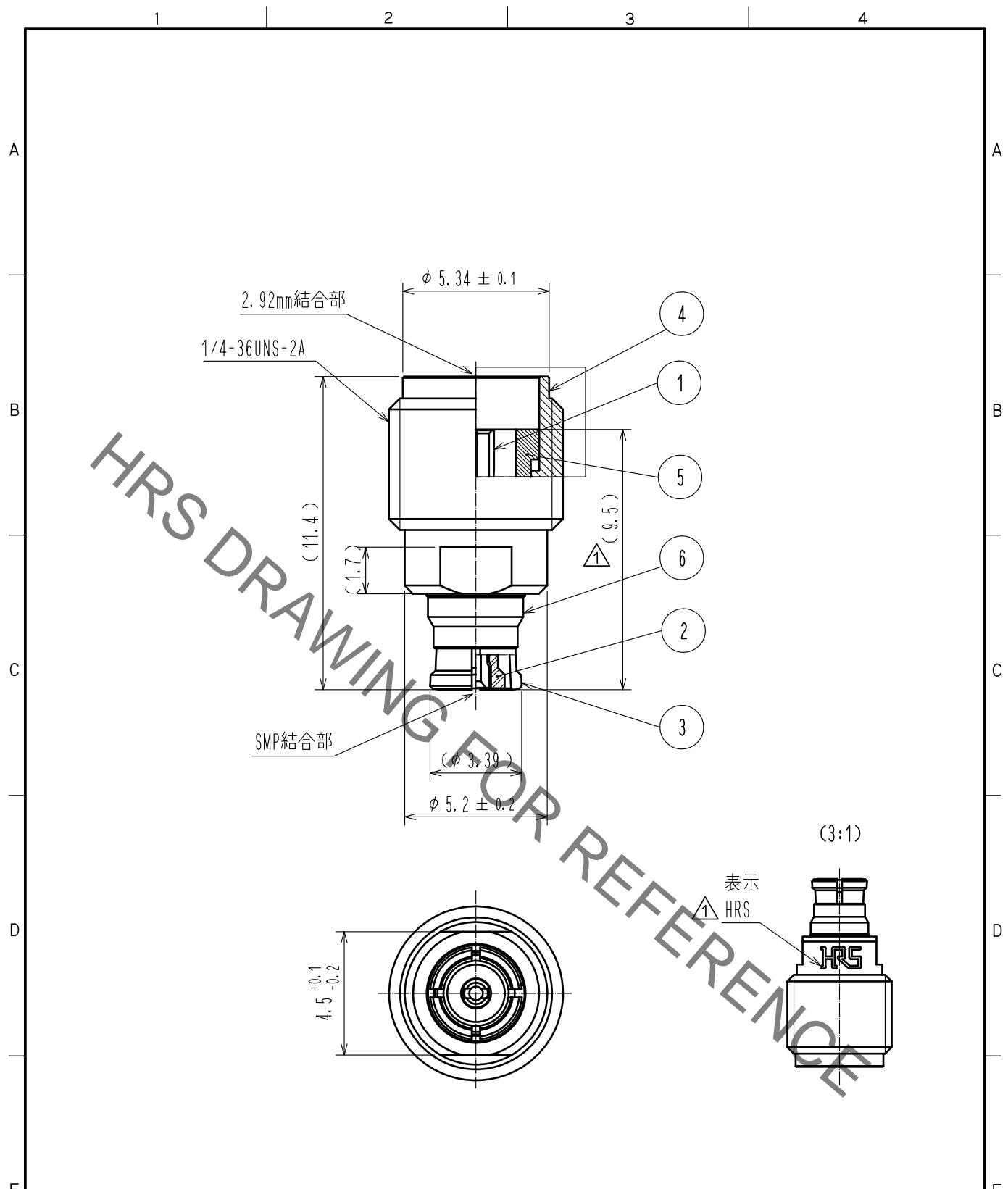


Jun.1.2020 Copyright 2020 HIROSE ELECTRIC CO., LTD. All Rights Reserved.
 In case of consideration for using Automotive equipment / device which demand high reliability, kindly contact our sales window correspondents.



RoHS適合品

| 3 | ベリリウム銅 | 金めっき | 6 | ベリリウム銅 | 金めっき | | |
|-----|----------|--------|---------|--------|----------|--------|---------|
| 2 | PTFE樹脂 | | 5 | ステンレス鋼 | パッシベイト | | |
| 1 | ベリリウム銅 | 金めっき | 4 | 黄銅 | ニッケルめっき | | |
| NO. | MATERIAL | FINISH | REMARKS | NO. | MATERIAL | FINISH | REMARKS |

| | | | | | | | |
|----------------------------------|--|----------------|------------|--|--------------------------|---------------------|------------------|
| UNITS mm | | SCALE 5 : 1 | COUNT 2 | DESCRIPTION OF REVISIONS DIS-D-00002439 | DESIGNED AH. MARUYAMA | CHECKED TS. NOBE | DATE 17.09.12 |
| APPROVED : KH. IKEDA 17.01.17 | | | | DRAWING NO. EDC-370187-00-00 | | | |
| CHECKED : TS. NOBE 17.01.17 | | | | PART NO. SMPJ-HKJ | | | |
| DESIGNED : AH. MARUYAMA 17.01.16 | | | | CODE NO. CL311-0013-0-00 | | | |
| DRAWN : AH. MARUYAMA 17.01.16 | | | | 1/1 | | | |