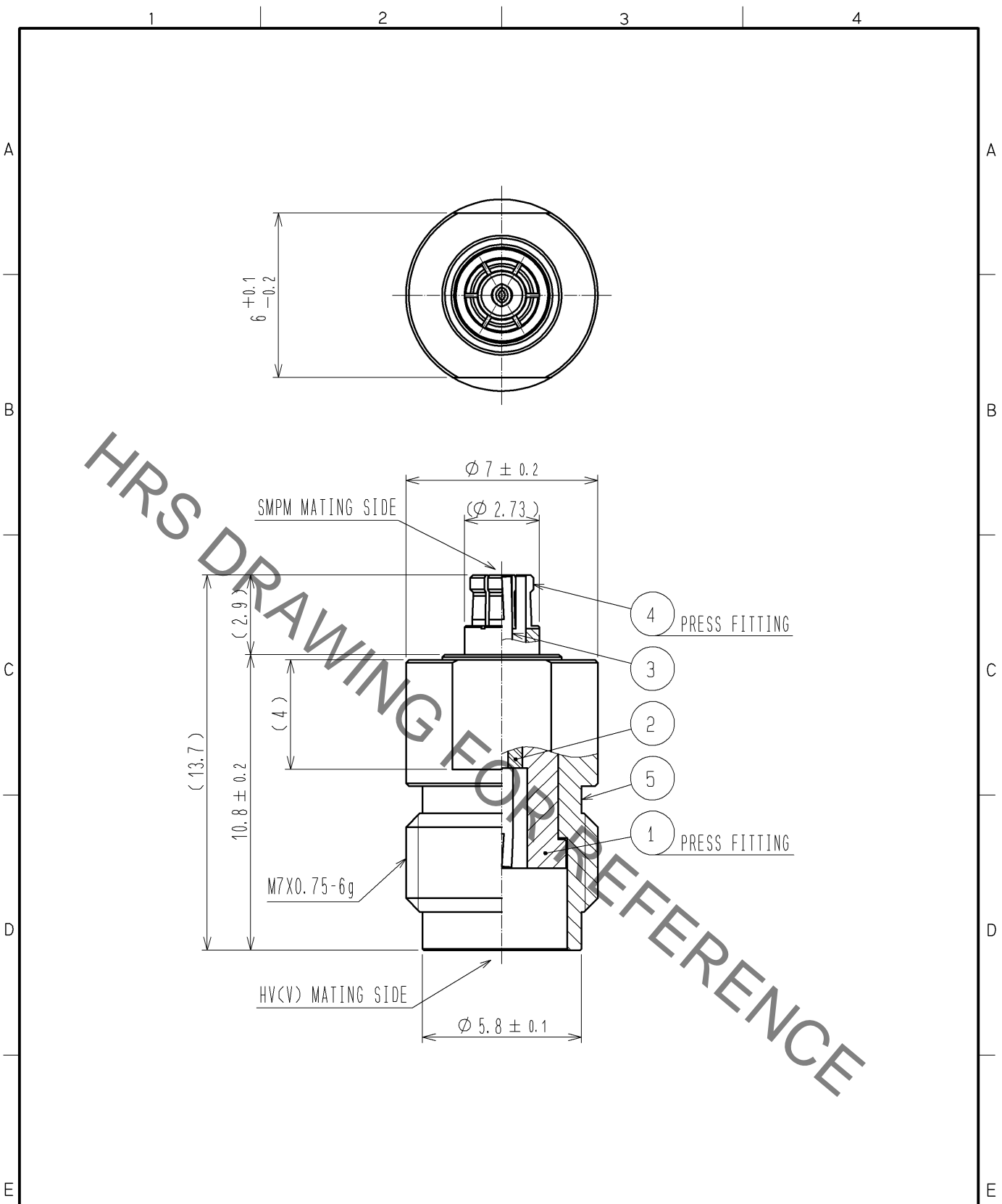


Jun.1.2020 Copyright 2020 HIROSE ELECTRIC CO., LTD. All Rights Reserved.
In case of consideration for using Automotive equipment / device which demand high reliability, kindly contact our sales window correspondents.



RoHS COMPLIANT

3	BELLYLIUM COPPER	GOLD PLATING					
2	PTFE		5	STAINLESS STEEL	PASSIVATE		
1	STAINLESS STEEL	GOLD PLATING	4	BERYLLIUM COPPER	GOLD PLATING		
NO.	MATERIAL	FINISH .	REMARKS	NO.	MATERIAL	FINISH .	REMARKS

UNITS mm		SCALE 5 : 1	COUNT 	DESCRIPTION OF REVISIONS	DESIGNED	CHECKED	DATE
-------------	--	----------------	-----------	--------------------------	----------	---------	------

HIROSE ELECTRIC CO., LTD.	APPROVED : MH. YAMANE	08. 07. 19	DRAWING NO.	EDC4-313093-00
	CHECKED : TS. NOBE	08. 07. 18	PART NO.	SMPMJ-HVJ
	DESIGNED : RO. YOKOYAMA	08. 07. 18	CODE NO.	CL311-0421-7-00
	DRAWN : RO. YOKOYAMA	08. 07. 18		