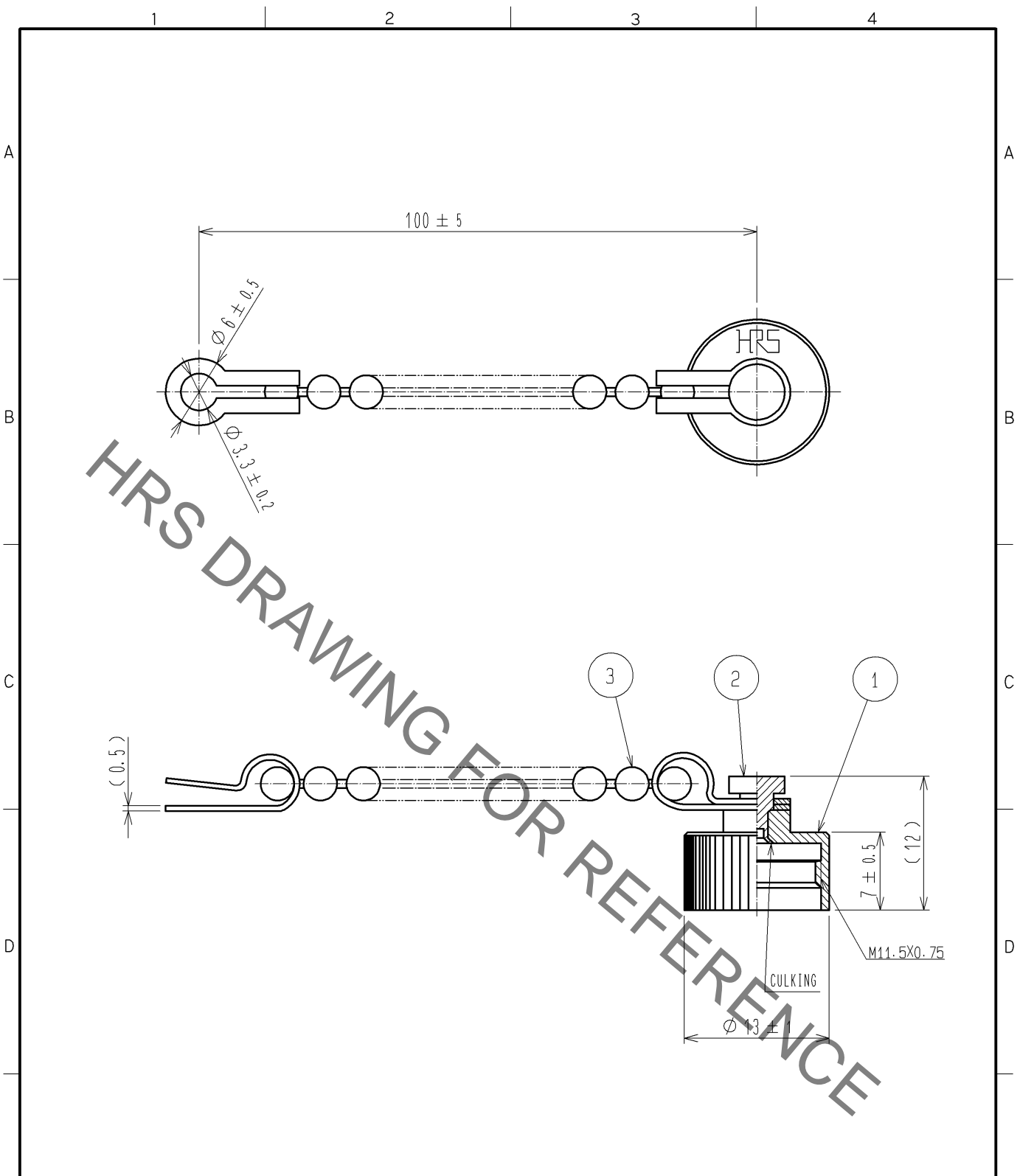


Jun.1.2020 Copyright 2020 HIROSE ELECTRIC CO., LTD. All Rights Reserved.
 In case of consideration for using Automotive equipment / device which demand high reliability, kindly contact our sales window correspondents.



HRS DRAWING FOR REFERENCE

△ NOTE THIS PRPDUCT IS A CAP FOR SR30-10R※-※(※), SR30-10J※-※(※).
 IT IS APPLICABLE REGARDLESS OF GIVEN ALPHABETS OR NUMBERS SHOOVN AT ※.

2	BRASS	NICKEL PLATING					
1	BRASS	NICKEL PLATING	3	BRASS	NICKEL PLATING		
NO.	MATERIAL	FINISH . REMARKS	NO.	MATERIAL	FINISH . REMARKS		
UNITS mm		SCALE 2 : 1	COUNT 1	DESCRIPTION OF REVISIONS DIS-C-002951	DESIGNED HY. KISHI	CHECKED EJ. KUNII	DATE 13. 04. 03
HRS HIROSE ELECTRIC CO., LTD.	APPROVED : MO. SATOH	06. 04. 27	DRAWING NO. EDC4-023421-71				
	CHECKED : EJ. KUNII	06. 04. 24	PART NO. SR30-10RC1(71)				
	DESIGNED : HS. NAGANO	06. 04. 19	CODE NO. CL103-0344-7-71				
	DRAWN : TO. HORII	06. 04. 14	△ 1/1				