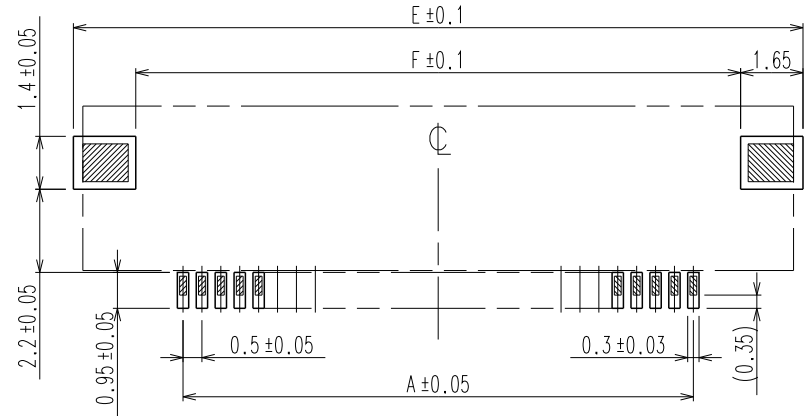
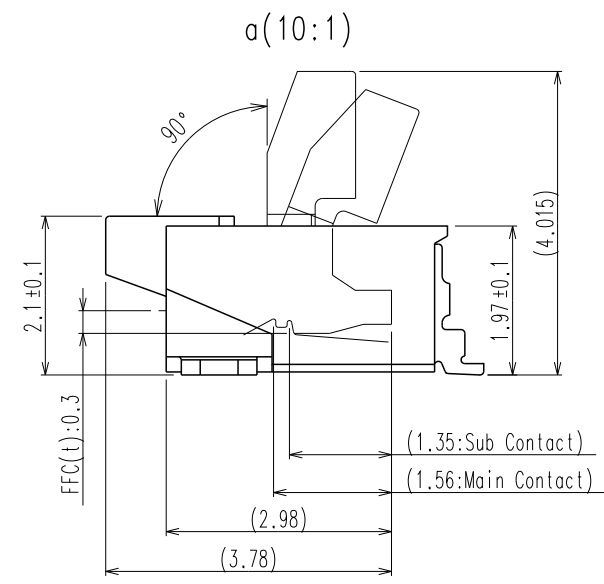
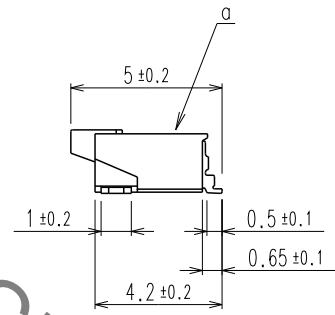
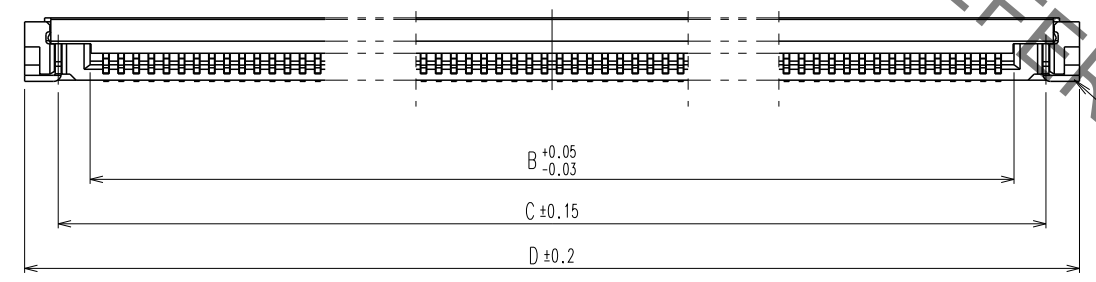
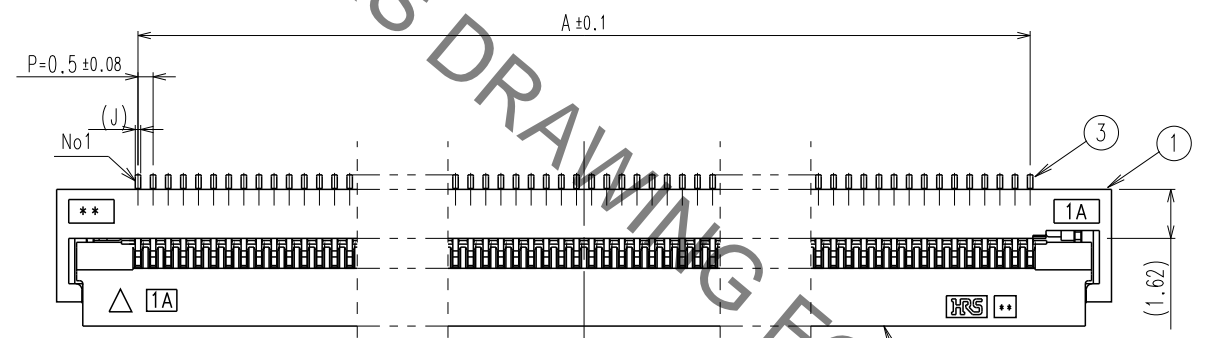


Jun.1.2020 Copyright 2020 HIROSE ELECTRIC CO., LTD. All Rights Reserved.
In case of consideration for using Automotive equipment / device which demand high reliability, kindly contact our sales window

1 2 3 4 5 6 7 8

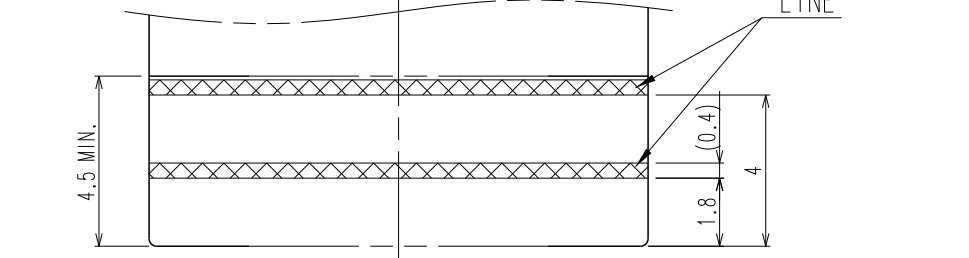
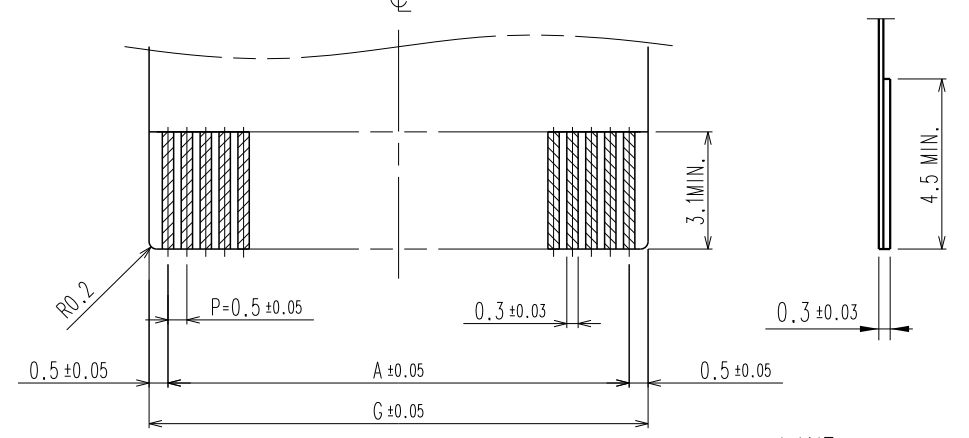
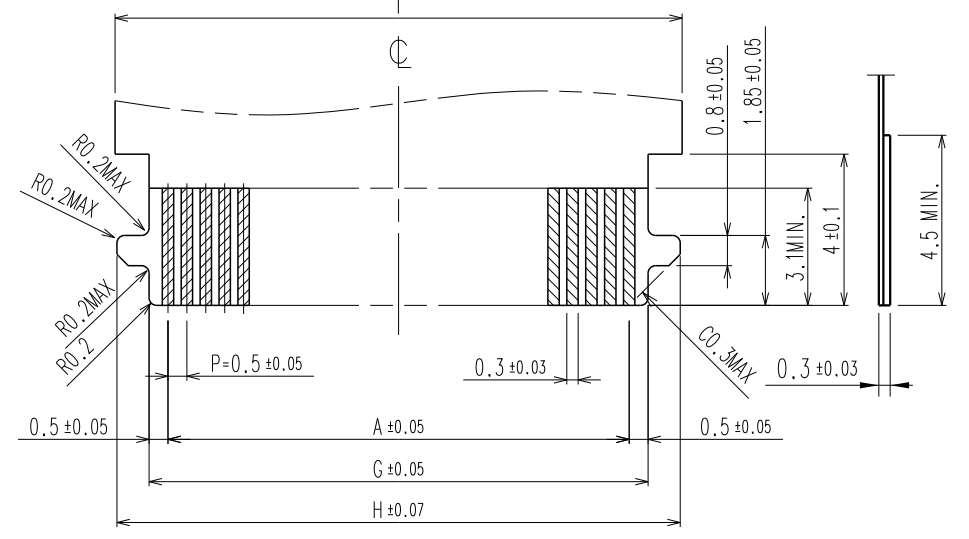
COUNT	DISCRIPTION OF REVISIONS	B	Y	CHKD	DATE	COUNT	DISCRIPTION OF REVISIONS	B	Y	CHKD	DATE
△						△					
△						△					
△						△					

HRS DRAWING FOR REFERENCE



RECOMMENDED METAL MASK THICKNESS : t=0.15

RECOMMENDED FPC/FFC(S=N/S)



STIFFENER SIDE

NOTE 1 LEAD CO-PLANARITY INCLUDING REINFORCED METAL FITTINGS SHALL BE 0.1 MAX.
2 TO BE DELIVERED WITH TAPE AND REEL PACKAGES.

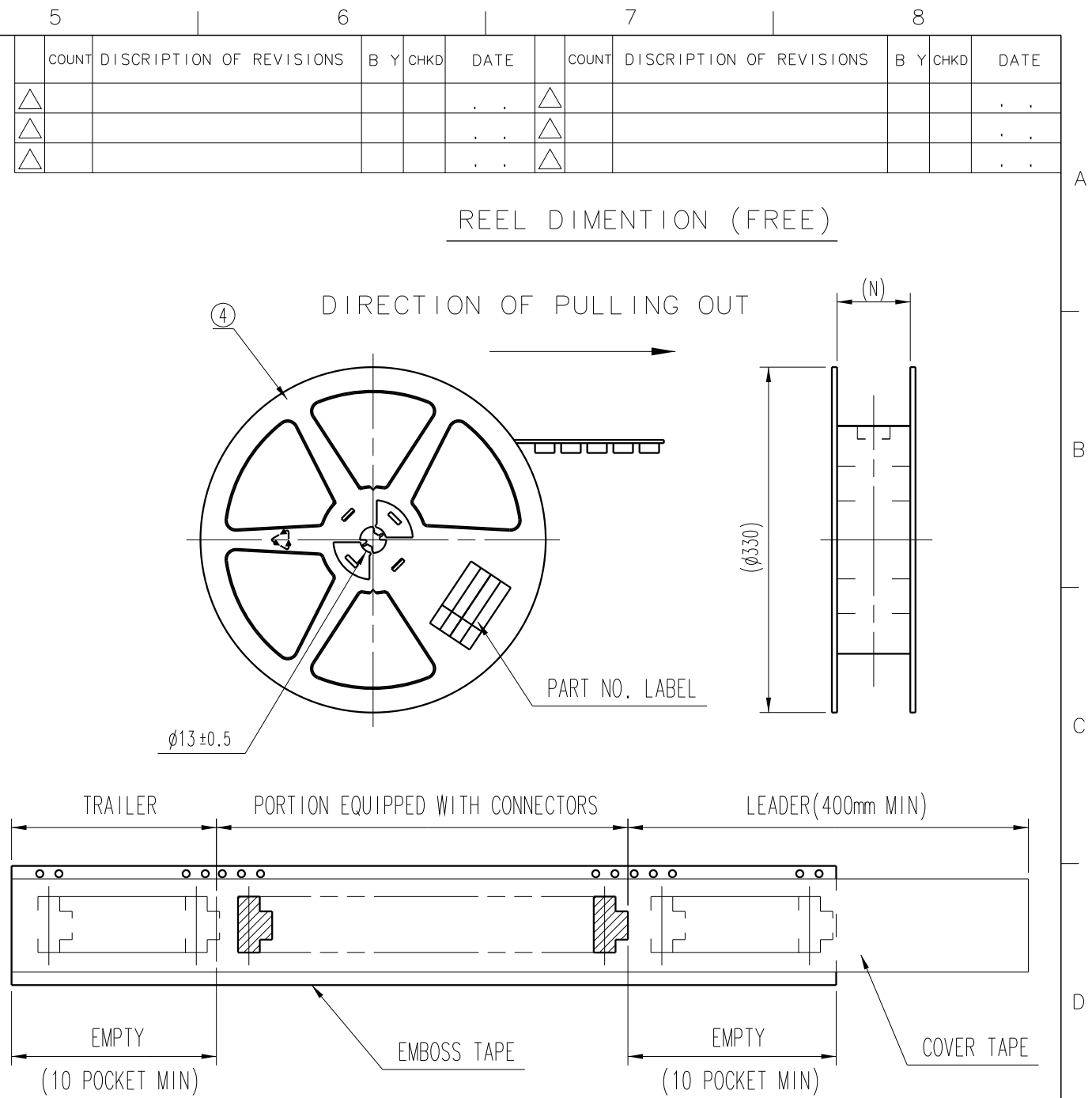
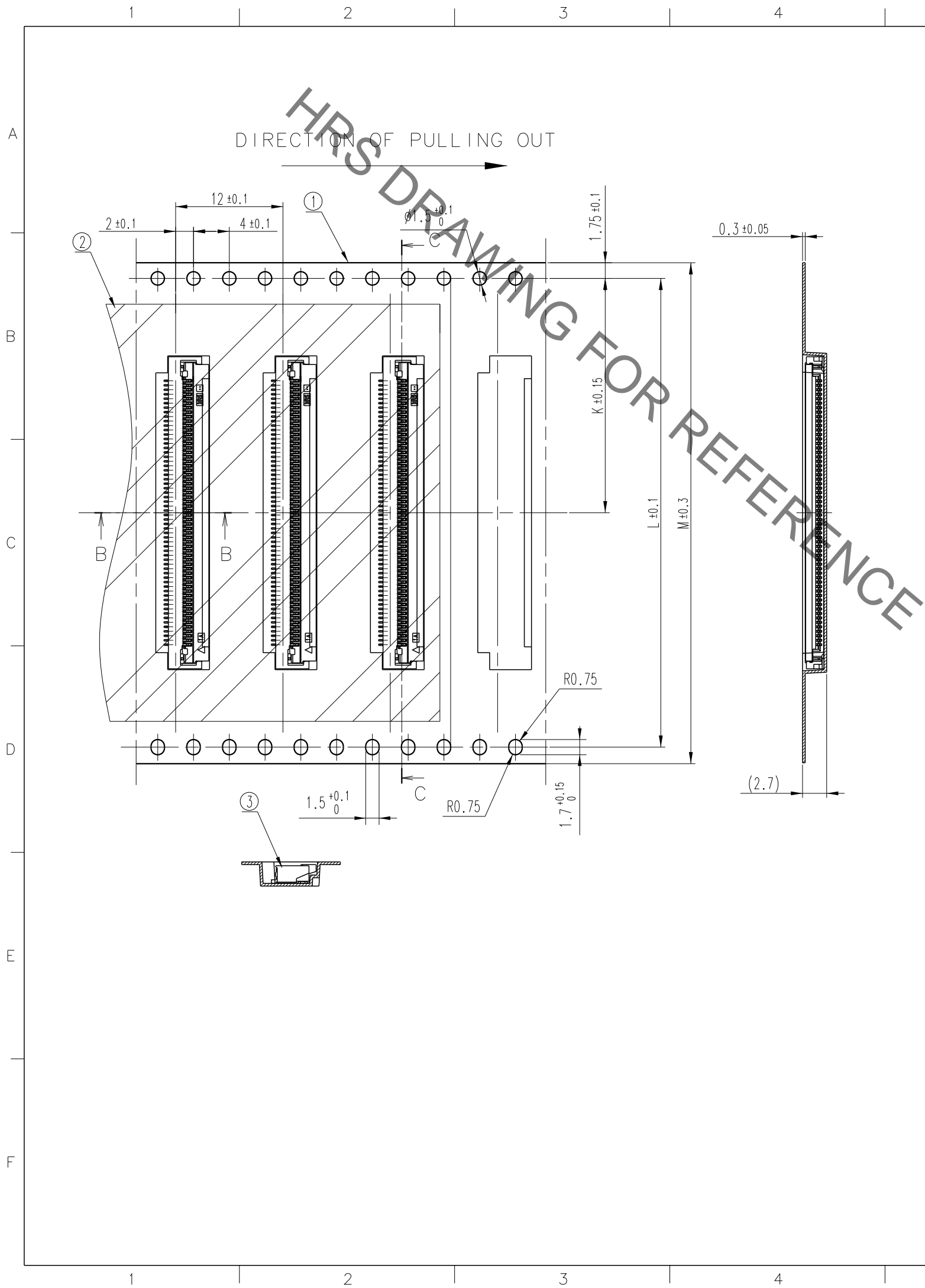
2	LCP	BLACK	UL94V-0	4	PHOSPHOR BRONZE	TIN PLATING 1um MIN, OVER NICKEL 1um MIN.
1	LCP	BEIGE	UL94V-0	3	PHOSPHOR BRONZE	(CONTACT AREA)GOLD PLATING, OVER NICKEL 1um MIN. (LEAD AREA)GOLD PLATING, OVER NICKEL 1um MIN. (OTHER) NICKEL PLATING 1um MIN.
NO.	MATERIAL	FINISH, REMARKS		NO.	MATERIAL	FINISH, REMARKS

CODE NO. (OLD)	DRAWN	DESIGNED	CHECKED	APPROVED	RELEASED
	D.H, CHO	D.H, CHO	D.H, CHO	H.C, SONG	ENG 17.08.31 DEPT
	17. 04 . 10	17. 04 . 10	17. 04 . 10	17. 04 . 10	

 SCALE 4 : 1 UNITS mm	DRAWING NO. EDC3-632316-80 HRS HIROSE KOREA CO., LTD.	PART NO. TF06L-**-S-0.5SH(800) CODE NO. CL *****-800	<div style="border: 1px solid black; padding: 2px; display: inline-block;">1/3</div>
-----------------------------------	--	---	--

1 2 3 4 5 6 7 8

Jun.1.2020 Copyright 2020 HIROSE ELECTRIC CO., LTD. All Rights Reserved.
In case of consideration for using Automotive equipment / device which demand high reliability, kindly contact our sales window



COUNT	DISCRIPTION OF REVISIONS	B	Y	CHKD	DATE	COUNT	DISCRIPTION OF REVISIONS	B	Y	CHKD	DATE
△					..	△					..
△					..	△					..
△					..	△					..

NOTE 1 . 1 REEL CONTAINS 2,000 PCS.


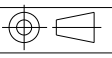
2	PET	COVER TAPE	4	PS	REEL
1	PET	EMBOSS TAPE	3	CONNECTOR	CONNECTOR
NO.	MATERIAL	FINISH . REMARKS	NO.	MATERIAL	FINISH . REMARKS
CODE NO. (OLD)			DRAWN	DESINGED	CHECKED
			D.H,CHO	D.H,CHO	D.H,CHO
			17. 04 . 10	17. 04 . 10	17. 04 . 10
			APPROVED	RELEASED	
			H.C,SONG		ENG
			17. 04 . 10		17.08.31
					DEPT
DRAWING NO. EDC3-632316-80			PART NO. TF06L-**-S-0.5SH(800)		
SCALE 2:1			CODE NO. CL *****-800		
UNITS mm			HRS HIROSE KOREA CO.,LTD.		
			2/3		

In case of consideration for using Automotive equipment / device which demand high reliability, kindly contact our sales window

HRS DRAWING FOR REFERENCE

COUNT	DISCRIPTION OF REVISIONS	B	Y	CHKD	DATE	COUNT	DISCRIPTION OF REVISIONS	B	Y	CHKD	DATE
△					..	△					..
△					..	△					..
△					..	△					..

PART NUMBER	NUMBER OF CONTACTS	CONNECTOR, FPF/FFC, PCB, METAL MASK DIMENSION										PACKING DIMENSION			
		A	B	C	D	E	F	G	H	I	J	K	L	M	N
TF06L-50S-0.5SH(800)	50S	24.5	25.55	27.66	29.88	30.3	27	25.5	27.2	27.3	0.15	20.2	40.4	44	44.5
TF06L-60S-0.5SH(800)	60S	29.5	30.55	32.66	34.88	35.3	32	30.5	32.2	32.3	0.15	26.2	52.4	56	56.5
TF06L-68S-0.5SH(800)	68S	33.5	34.55	36.66	38.88	39.3	36	34.5	36.2	36.3	0.18	26.2	52.4	56	56.5
TF06L-80S-0.5SH(800)	80S	39.5	40.55	42.66	44.88	45.3	42	40.5	42.2	42.3	0.18	26.2	52.4	56	56.5

NO.	MATERIAL	FINISH . REMARKS	NO.	MATERIAL	FINISH . REMARKS
CODE NO. (OLD)			DRAWN		DESINGED
			D.H,CHO		D.H,CHO
			17. 04 . 10		17. 04 . 10
			CHECKED		APPROVED
			D.H,CHO		H.C,SONG
			17. 04 . 10		17. 04 . 10
			RELEASED		
		DRAWING NO.		PART NO.	
SCALE N : S		EDC3-632316-80		TF06L-**S-0.5SH(800)	
UNITS mm		HRS HIROSE KOREA CO.,LTD.		CODE NO.	
				CL *****--800	
					3/3