

May.1.2020 Copyright 2020 HIROSE ELECTRIC CO., LTD. All Rights Reserved.
In case of consideration for using Automotive equipment / device which demand high reliability, kindly contact our sales window correspondents.

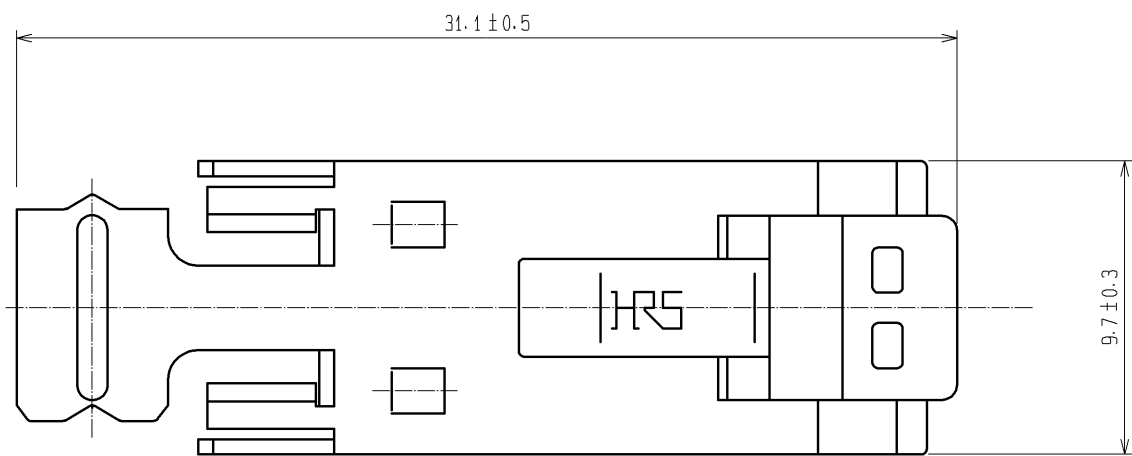
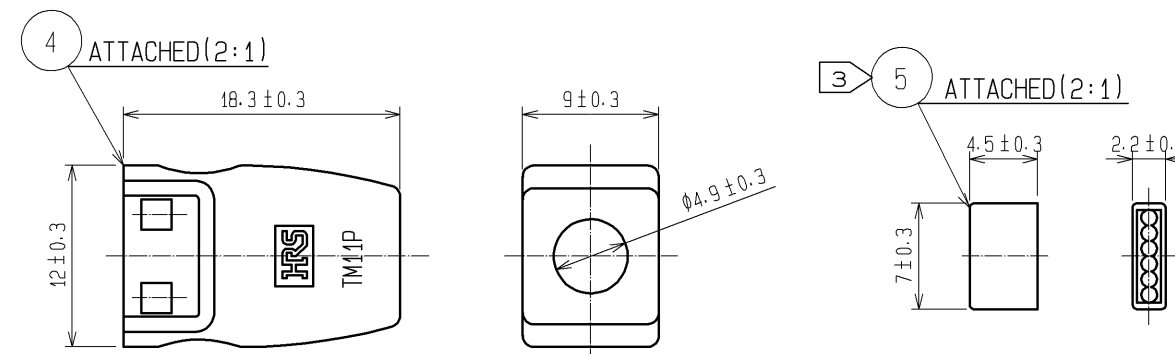
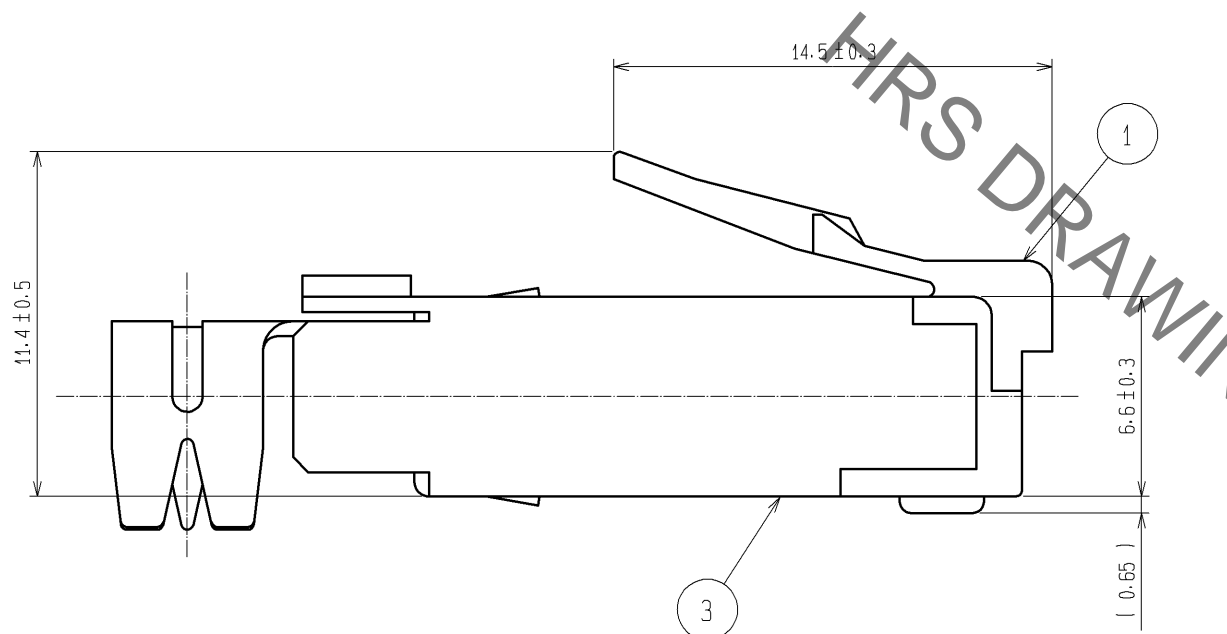
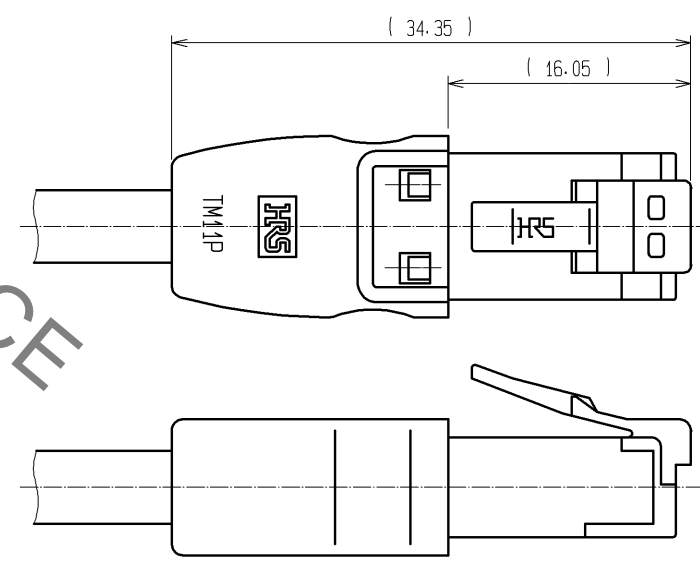


TABLE-1

APPLICABLE CABLE		
	INSULATION (Ømm)	0.90~1.00
	VINYL SHEATH (Ømm)	(4.8) *(1)
	CONDUCTOR	AWG26
	SHIELD	BRAIDED SHIELD



ASSEMBLED (2:1)



NOTES: 1. () INDICATES THE REFERENCE DIMENSIONS.
 2. APPLICABLE CABLE DIMENSIONS AS SHOWN IN TABLE-1.
 *(1) THIS IS FOR REFERENCE.
 (DIMENSION VARIES ACCORDING TO JACKET HARDNESS.)
 3. PLEASE USE ACCESSORY AS A GUIDE PLATE AND ASSEMBLE CONNECTOR WITH CABLES INSERTING ACCESSORY INTO CONNECTOR.

3	BRASS	TIN PLATING 1µm min	5	POLYCARBONATE	TRANSPARENCY			
2	PHOSPHOR BRONZE	CONTACT PLATING GOLD 1.27µm min UNDER PLATING NICKEL 2µm min	4	POLYCARBONATE	BLACK			
1	POLYCARBONATE	TRANSPARENCY						
NO.	MATERIAL	FINISH, REMARKS	NO.	MATERIAL	FINISH, REMARKS			
UNITS	mm	SCALE	4 : 1	COUNT	DESCRIPTION OF REVISIONS	DESIGNED	CHECKED	DATE
HRS HIROSE ELECTRIC CO., LTD.		APPROVED : HO. MIWA	07.09.29	DRAWING NO. EDC3-041197-06				
		CHECKED : HO. MIWA	07.09.29	PART NO. TM11P-66P (53)				
		DESIGNED : TS. ITO	07.09.29	CODE NO. CL222-2149-9-53				
		DRAWN : TS. ITO	07.09.29					