

MODULAR CONNECTORS

CL 222 TM

D-SUB MODULAR CONVERSION CONNECTOR

This is a conversion connector for use between an RS-232C interface (D-Sub 25 conductors) used for personal computer communications and modular connectors. The D-Sub and modular connectors used for the newly developed conversion connector have already been proven in many applications, winning confidence from our customers. The D-Sub mating parts feature a compact design with a screw lock system for use with computer related equipment.

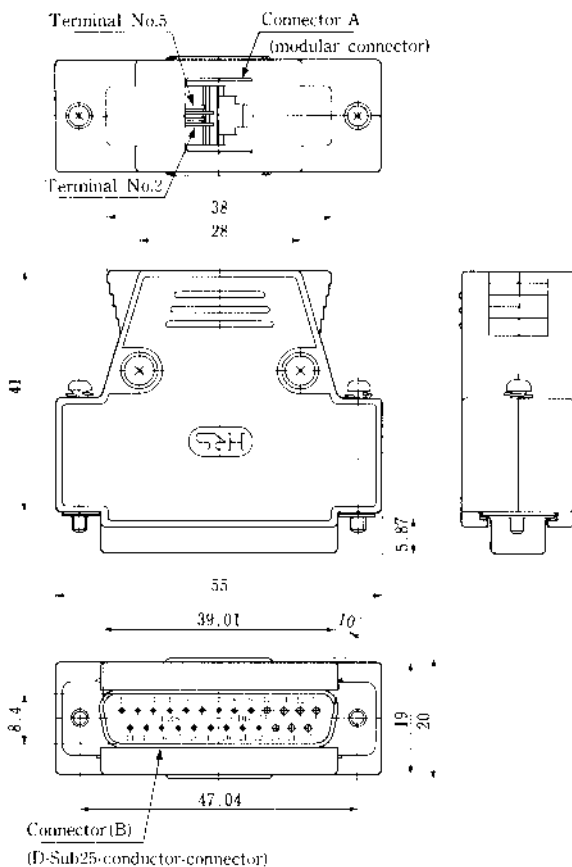
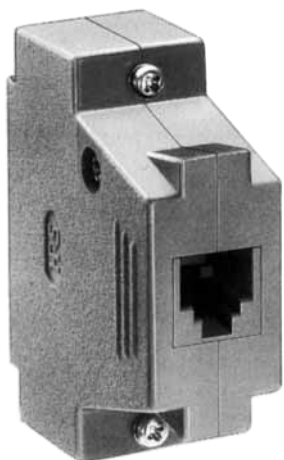
Material/Finish

| Item | | Material | Finish |
|-------------------|-----------|-----------------|---|
| Modular Connector | Insulator | ABS | Grey |
| Connector | Terminal | Phosphor bronze | Gold-plated |
| D-Sub Connector | Shell | Mild steel | Zinc-plated and treated with dichromate |
| Connector | Terminal | Phosphor bronze | Gold-plated |

Electrical specifications

| Item | Condition | Standard |
|-----------------------|-------------------------------|---------------|
| Current rating | Per pin | 500mA |
| Voltage rating | Per pin | 125V AC |
| Insulation Resistance | 100V DC | 100 M Min. |
| Withstanding Voltage | standard voltage for 1 minute | 500V r.m.s AC |

TM12RV-6 -



| CL No. | Part No. | RoHS |
|---------------|-------------------|------|
| 222-3032-7-50 | TM12RV-64-A(50) | YES |
| 222-3347-8-50 | TM12RV-64-C(50) | |
| 222-3396-3-50 | TM12RV-64-D(50) | |
| 222-3283-7-50 | TM12RV-66-D(50) | |

| TM12RV-64-A(50) | | TM12RV-64-C(50) | | TM12RV-64-D(50) | | TM12RV-66-D(50) | |
|-------------------|-------------|--------------------------|-------------|--------------------------|-------------|-------------------|-------------|
| Connector A | Connector B | Connector A | Connector B | Connector A | Connector B | Connector A | Connector B |
| _____ | _____ | _____ | _____ @5 | _____ | _____ | _____ | _____ |
| _____ | _____ | _____ | _____ | _____ | _____ | _____ | _____ |
| _____ | _____ | _____ | _____ | _____ | _____ | _____ | _____ |
| _____ @5 | _____ | _____ | _____ | _____ | _____ | _____ | _____ |
| | | <input type="checkbox"/> | | <input type="checkbox"/> | | | |
| | | <input type="checkbox"/> | | | | | |