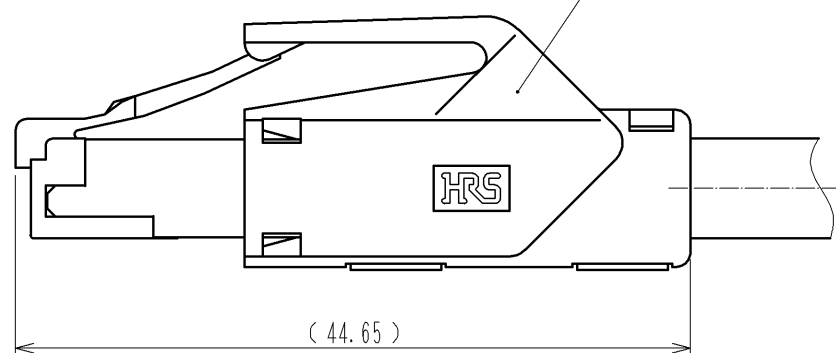
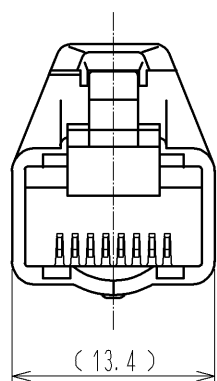
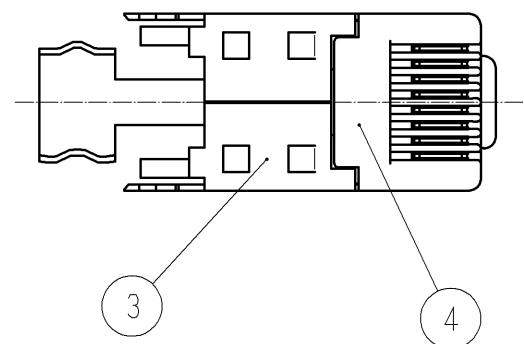
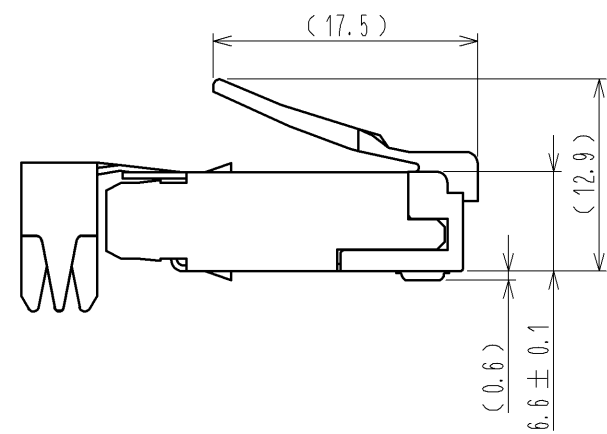
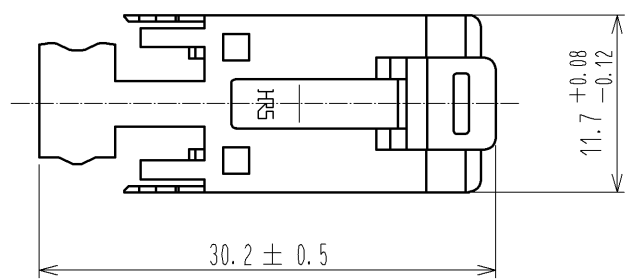


May.1.2020 Copyright 2020 HIROSE ELECTRIC CO., LTD. All Rights Reserved.  
In case of consideration for using Automotive equipment / device which demand high reliability, kindly contact our sales window correspondents.



COVER(SOLD SEPARATE)IL)MATED

4 CL222-2862-9-\*\*  
TM21P-88P(\*\*)

HRS DRAWING FOR REFERENCE

1 TABLE-1

APPLICABLE CABLE WIRE		
	CONDUCTOR	AWG#24 STRANDED WIRE ~ AWG#27 STRANDED WIRE
	INSULATOR DIAMETER	( $\phi 0.9 \sim \phi 1.0$ )
JACKET DIAMETER		( $\phi 5.8 \sim \phi 6.0$ )

NOTES 1) APPLICABLE CABLE IS SHOWN IN TABLE-1  
2. ( ) INDICATES THE REFERENCE DIMENSIONS.  
3. TO SATISFY CAT6a PERFORMANCE, PLEASE ASSEMBLE ACCORDING TO HRS INSTRUCTION. (ETAD-E2847)  
4. COLORS ARE DIFFERENT DEPENDING ON THE SPECIFICATION NUMBER.

2	PHOSPHOR BRONZE	CONTACT: GOLD PLATING 1.27 $\mu$ m MIN LEAD: GOLD PLATING 0.03 $\mu$ m MIN UNDER: NICKEL PLATING 2 $\mu$ m MIN	4	POLYCARBONATE	(YELLOW)UL94V-2
1	PHOSPHOR BRONZE	CONTACT: GOLD PLATING 1.27 $\mu$ m MIN LEAD: GOLD PLATING 0.03 $\mu$ m MIN UNDER: NICKEL PLATING 2 $\mu$ m MIN	3	STAINLESS STEEL	OVER: NICKEL PLATING 0.5 $\mu$ m MIN
NO.	MATERIAL	FINISH . REMARKS	NO.	MATERIAL	FINISH . REMARKS
UNITS mm		SCALE 2 : 1	COUNT		DESCRIPTION OF REVISIONS
DESIGNED		CHECKED		DATE	
APPROVED : YH. ENAMI		09.06.02		DRAWING NO. EDC3-126868-01	
CHECKED : YH. ENAMI		09.06.02		PART NO. TM31P-TM-88P(01)	
DESIGNED : MT. ITANO		09.06.02		CODE NO. CL222-4626-7-01	
DRAWN : MT. ITANO		09.06.02		1/1	