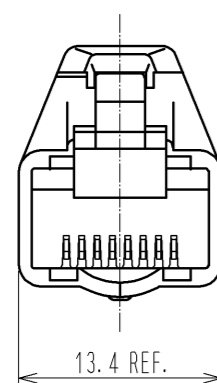
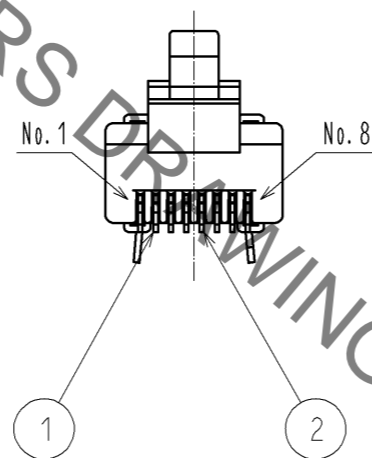
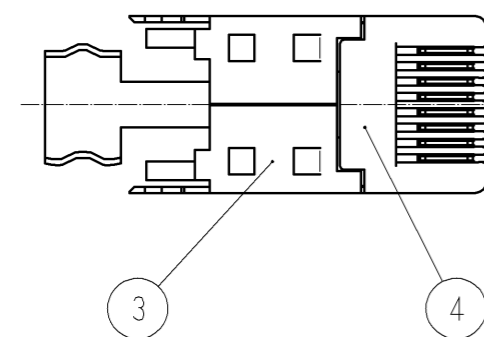
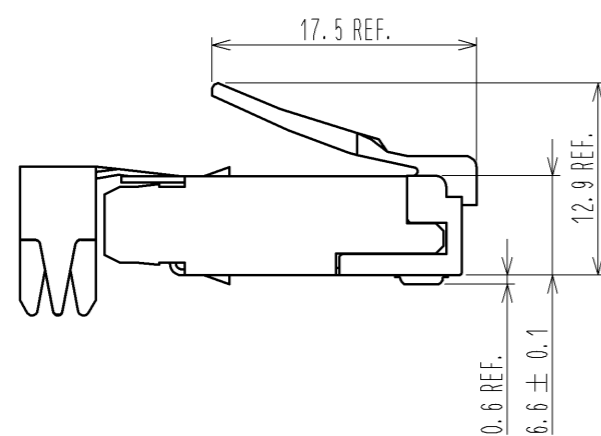
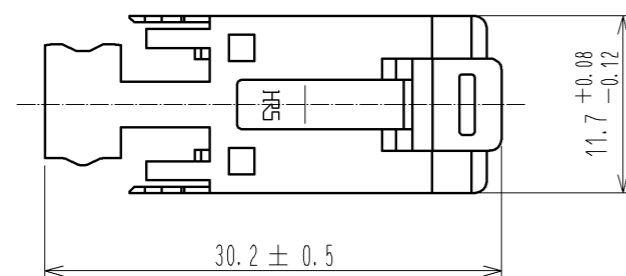


May.1.2020 Copyright 2020 HIROSE ELECTRIC CO., LTD. All Rights Reserved.
In case of consideration for using Automotive equipment / device which demand high reliability, kindly contact our sales window correspondents.



COVER(SOLD SEPARATELY)MATED

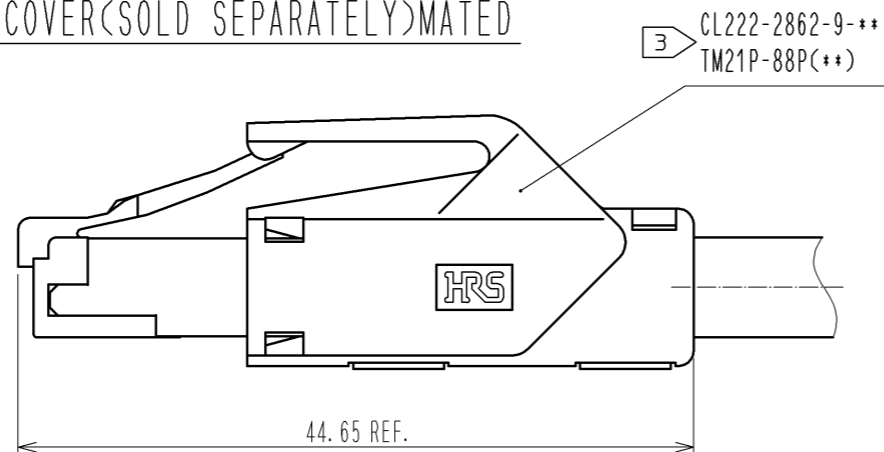


TABLE-1

APPLICABLE CABLE WIRE			
	CONDUCTOR	AWG#24 STRANDED WIRE TO AWG#27 STRANDED WIRE	
	INSULATOR DIAMETER	φ0.9 TO φ1.0	
	JACKET DIAMETER	φ5.8 TO φ6.0	

- NOTES ① APPLICABLE CABLE IS SHOWN IN TABLE-1.
 ② REFER TO HRS INSTRUCTION MANUAL(ETAD-E2847) FOR CABLE ASSEMBLING THAT MEETS CAT6a PERFORMANCE.
 ③ COLORS ARE DIFFERENT DEPENDING ON THE SPECIFICATION NUMBER.

2	PHOSPHOR BRONZE	CONTACT:GOLD PLATING 1.27μm MIN LEAD :GOLD PLATING 0.03μm MIN UNDER :NICKEL PLATING 2μm MIN	4	POLYCARBONATE	YELLOW			
1	PHOSPHOR BRONZE	CONTACT:GOLD PLATING 1.27μm MIN LEAD :GOLD PLATING 0.03μm MIN UNDER :NICKEL PLATING 2μm MIN	3	STAINLESS STEEL	OVER:NICKEL PLATING 0.5μm MIN			
NO.	MATERIAL	FINISH . REMARKS	NO.	MATERIAL	FINISH . REMARKS			
UNITS mm		SCALE 2 : 1		COUNT	DESCRIPTION OF REVISIONS	DESIGNED	CHECKED	DATE
HRS HIROSE ELECTRIC CO., LTD.		APPROVED : NM. NISHIMATSU 14.06.26	DRAWING NO.		EDC3-126868-05			
		CHECKED : NM. NISHIMATSU 14.06.26	PART NO.		TM31P-TM-88P(61)			
		DESIGNED : MT. ITANO 14.06.26	CODE NO.		CL222-4626-7-61			
		DRAWN : MT. ITANO 14.06.26						