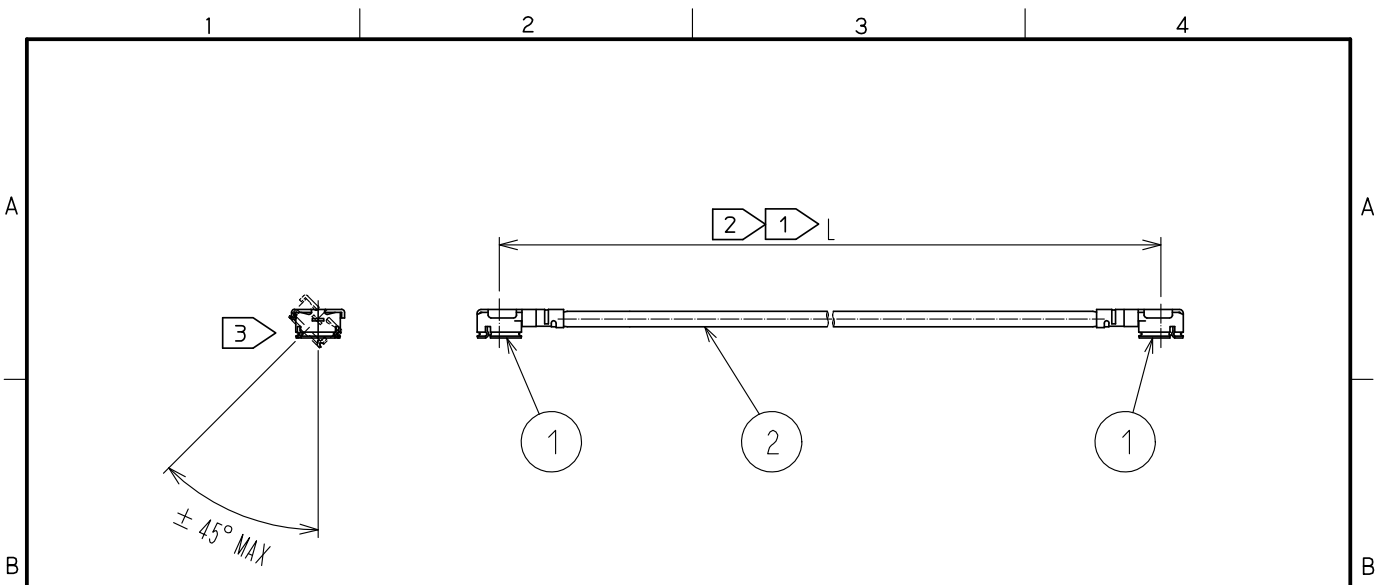


May.1.2020 Copyright 2020 HIROSE ELECTRIC CO., LTD. All Rights Reserved.
In case of consideration for using Automotive equipment / device which demand high reliability, kindly contact our sales window correspondents.



Part No.	Cable color
~04*1TV~	WHITE
~04*2TV~	BLACK

HRS DRAWING TOP REFERENCE

NOTE ① We indicate the length of the harness on the last of product name, 'L' part.

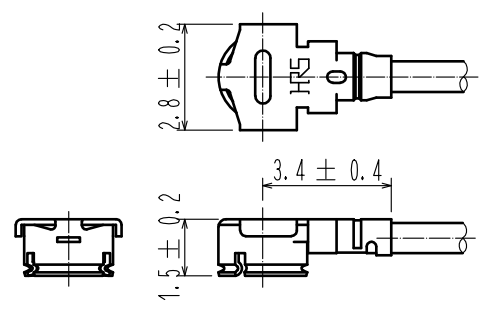
② Tolerance for [L]

Length L [mm]	Tolerance [mm]
$35 \leq L \leq 200$	± 4
$200 < L \leq 500$	± 8
$500 < L \leq 1000$	± 12
$1000 < L$	$\pm 1.5\%$

③ Connector rotation angle is within ± 45 degree from the above image.
For long length in the case of $L > 500$, the angle is optional.

4. Specifications are subject to change without notice.

【 DIMENSIONS OF CONNECTOR 】



For stable supply of this series, material supplier of piece part#1 will be changed during 2019-2022. Please note this change in advance. There will be no difference in product performance and quality.

1	U.FL-LP(V)-040HF(06)	CL331-0559-9-06	2	0.81 Dia. coaxial cable	HALOGEN FREE		
NO.	PART NO.	CODE NO.	NO.	PART NO.			
UNITS mm		SCALE FREE	COUNT 2	DESCRIPTION OF REVISIONS DIS-D-00003761	DESIGNED MS. MATSUMOTO	CHECKED MT. KANEKO	DATE 20181217
HRS	HIROSE ELECTRIC CO., LTD.		APPROVED :NK. NINOMIYA	20180607	DRAWING NO.		
			CHECKED :MT. KANEKO	20180606	PART NO. UFL-2LPVHF6-04**TV-A-L		
			DESIGNED :MS. MATSUMOTO	20180606	CODE NO.		
			DRAWN :MS. MATSUMOTO	20180606	NO.		