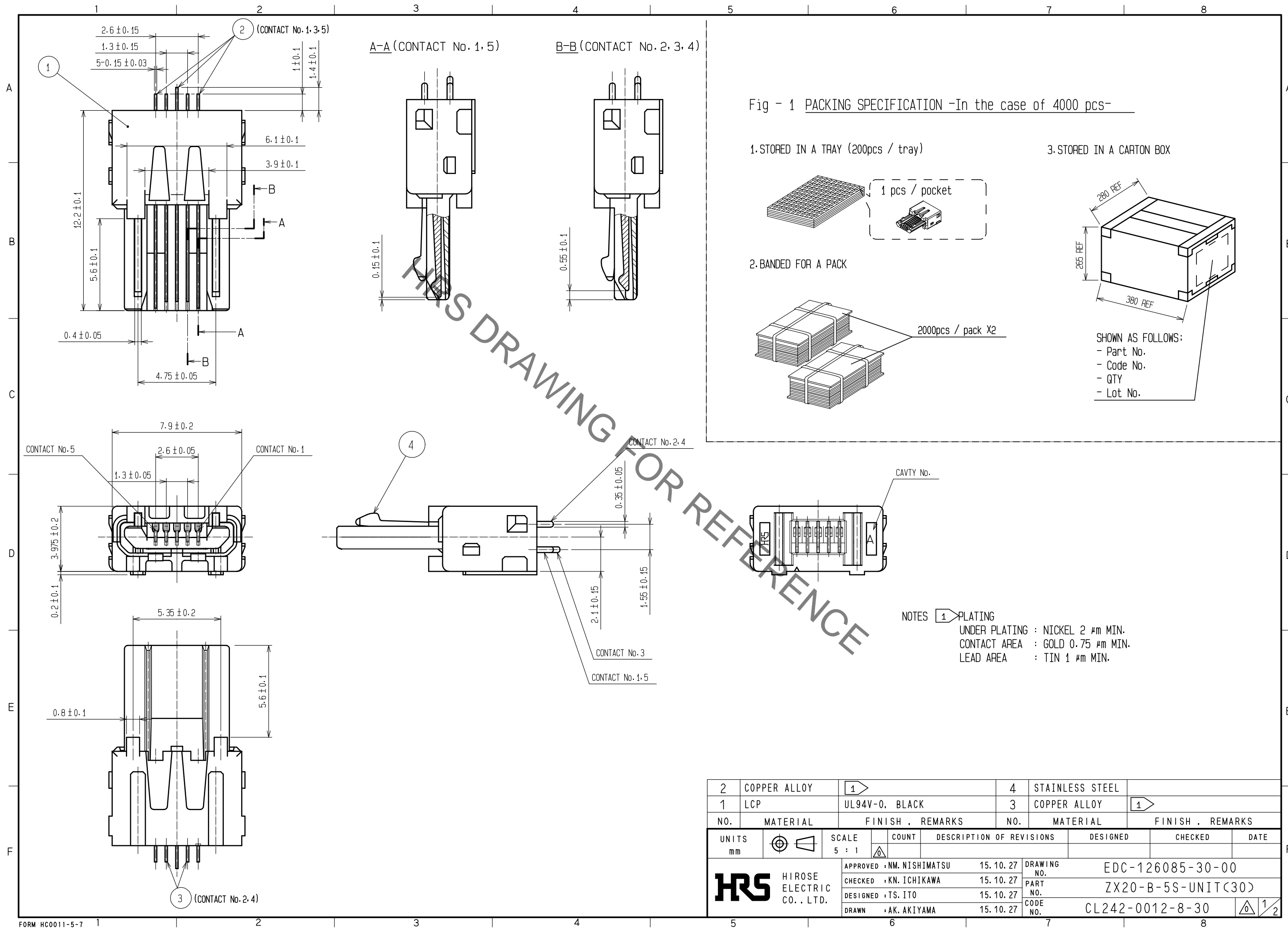


May.1.2020 Copyright 2020 HIROSE ELECTRIC CO., LTD. All Rights Reserved.
In case of consideration for using Automotive equipment / device which demand high reliability, kindly contact our sales window correspondents.



May.1.2020 Copyright 2020 HIROSE ELECTRIC CO., LTD. All Rights Reserved.
In case of consideration for using Automotive equipment / device which demand high reliability, kindly contact our sales window correspondents.

2 Fig-2 SHIELDING-PLATE ASSEMBLY

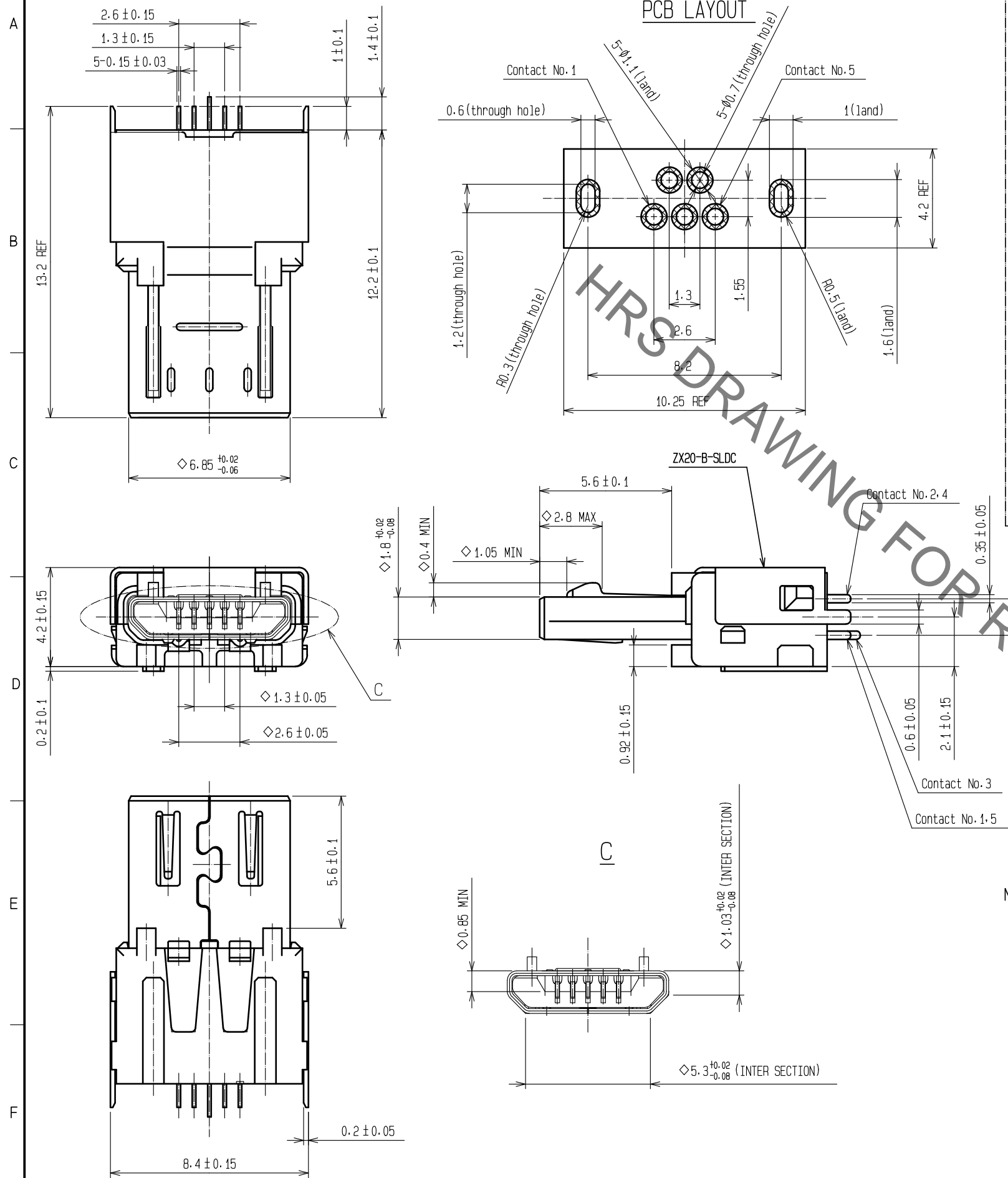
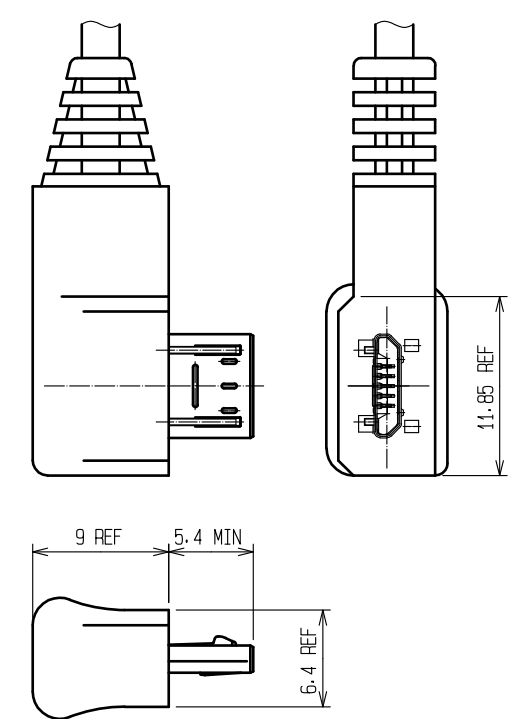
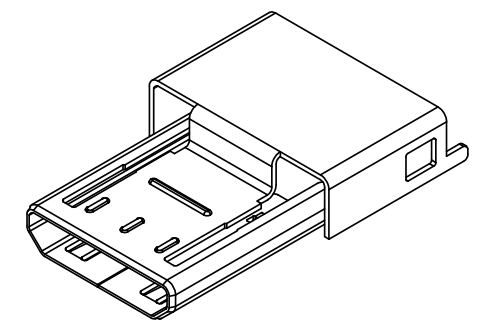


Fig-3 OVER-MOLDING (REFERENCE)

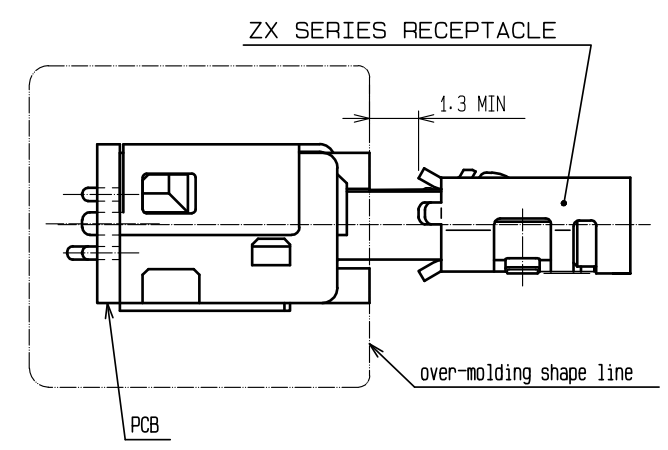


2 ZX20-B-SLDC
Code No. CL242-0022-1



NOTE:
- SOLD SEPARATELY
- DELIVERED BY THE REEL

Fig-4 MATED CONDITION



NOTES 2 SHIELDING-PLATE, ZX20-B-SLDC, IS USED FOR ASSEMBLY.

3. *◇*SYMBOL ADDED TO EACH DIMENSION MEANS CRITICAL DIMENSION ON USB SPECIFICATION. PLEASE CHECK THEM AFTER OVER-MOLDING.

HRS	DRAWING NO.	EDC-126085-30-00
	PART NO.	ZX20-B-5S-UNIT<30>
	CODE NO.	CL242-0012-8-30
		\triangle 2/2