
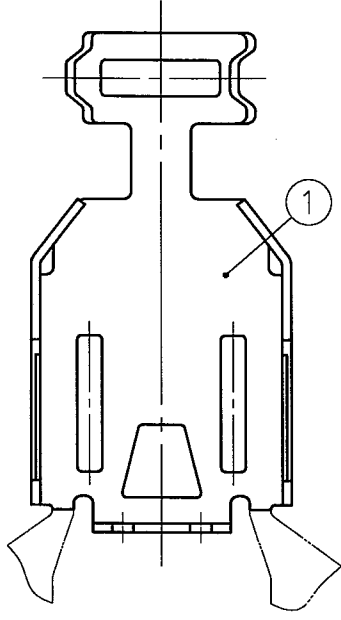


2008/01/11 17:12:22 HK. HORINO

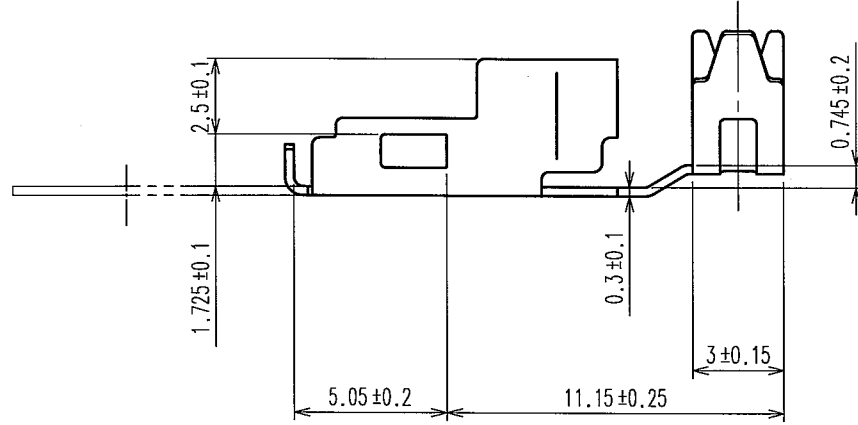
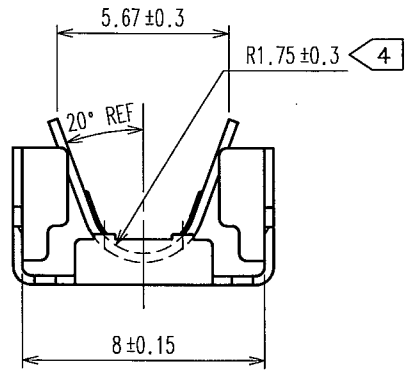
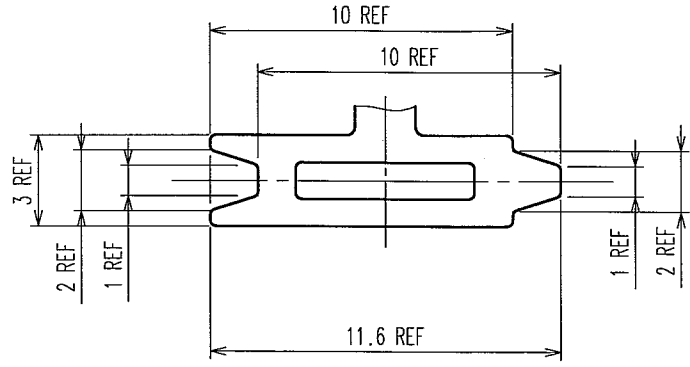
DRAWING FOR REFERENCE: This is subject to change without notice

TO

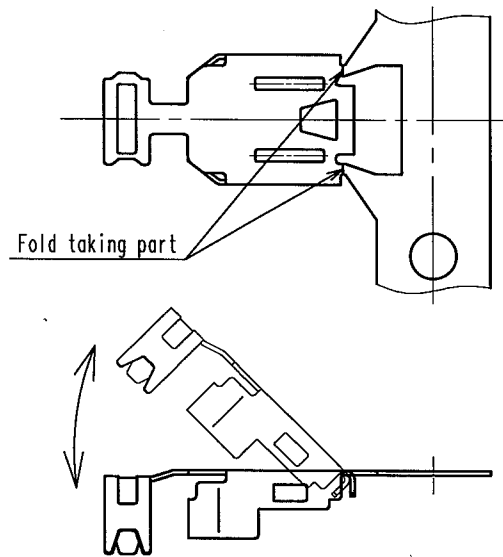
COUNT	DESCRIPTION OF REVISIONS	BY	CHKD	DATE	COUNT	DESCRIPTION OF REVISIONS	BY	CHKD	DATE	
△					△					
△					△					
APPLICABLE STANDARD		USB2.0 SPECIFICATION								
RATING	OPERATING TEMPERATURE RANGE	0 °C TO +50 °C			STORAGE TEMPERATURE RANGE	-20 °C TO +60 °C				
	VOLTAGE	—			OPERATING HUMIDITY RANGE	— % TO — %				
	CURRENT	—			APPLICABLE CABLE	USB CABLE (φ 3.3)				
<b>SPECIFICATIONS</b>										
ITEM		TEST METHOD			REQUIREMENTS			QT	AT	
<b>CONSTRUCTION</b>										
GENERAL EXAMINATION		VISUALLY AND BY MEASURING INSTRUMENT.			ACCORDING TO DRAWING.			×	×	
MARKING		CONFIRMED VISUALLY.						×	×	
REMARKS										
REMARKS					DRAWN	DESIGNED	CHECKED	APPROVED	RELEASED	
					<i>Y. Takeuchi</i> 06.11.17	<i>Y. Takeuchi</i> 06.11.17	<i>21. Kobayashi</i> 06.11.17	<i>[Signature]</i> 06.11.17		
Note QT:Qualification Test AT:Assurance Test ×:Applicable Test										
 <b>HIROSE ELECTRIC CO., LTD.</b>					<b>SPECIFICATION SHEET</b>					PART NO. <b>ZX40-SLDB(3.3)</b>
CODE NO.(OLD) CL			DRAWING NO. ELC4-126152			CODE NO. CL242-0023-4			1/1	



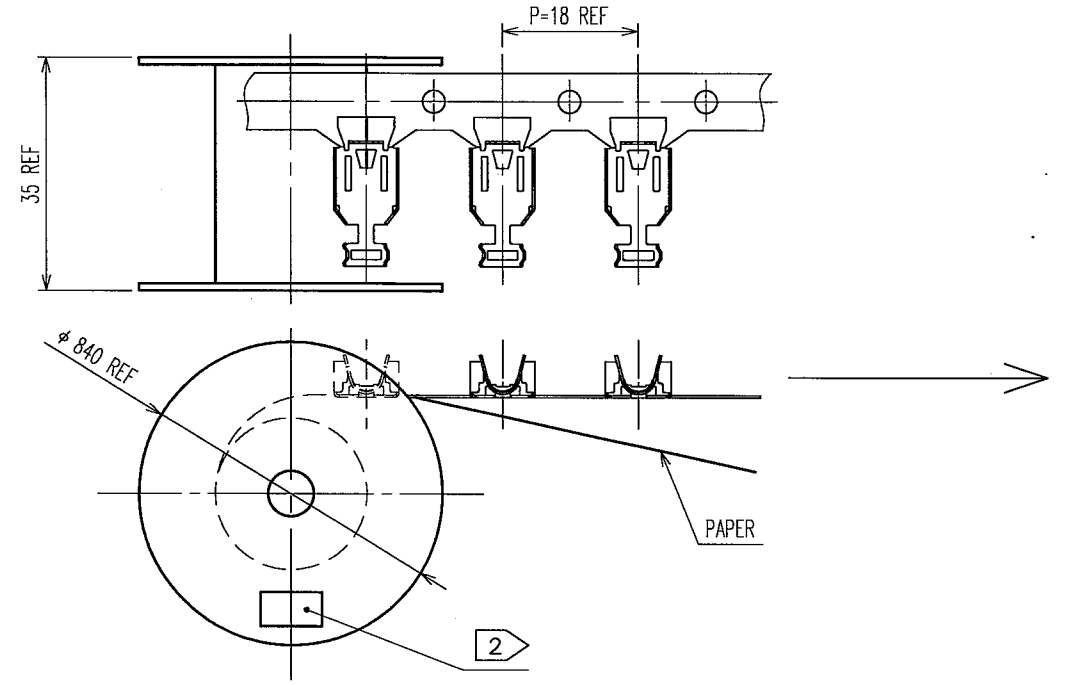
4 Fig - 3 DEVELOPMENT OF A CLAMPING PART



3 Fig - 2 CUT OFF A CAREER



1 Fig - 1 REELING



- NOTES
- 1 This is delivered by a reel. QTY: 4000pcs
  - 2 Shown on a reel and a box is ; " Part No.", " Code No.", " Lot No.", " QTY"
  - 3 Cut off a career as shown in fig-2.
  - 4 This cable-clamping part is applied to φ 3.3mm cable.

CODE NO. (OLD)		1	STAINLESS STEEL		FINISH, REMARKS	
NO.		MATERIAL		FINISH, REMARKS		
DRAWN		DESIGNED	CHECKED	APPROVED	RELEASED	
Y. Takeuchi		Y. Takeuchi	21. Kobayashi	<i>[Signature]</i>	...	
06.11.21		06.11.21	06.11.21	06.11.21	...	
DRAWING NO.		PART NO.		CODE NO.		
EDC3-126152		ZX40-SLDB(3.3)		CL242-0023-4		
SCALE		UNITS		HRS HIROSE ELECTRIC CO., LTD		
4 : 1		mm		1/1		