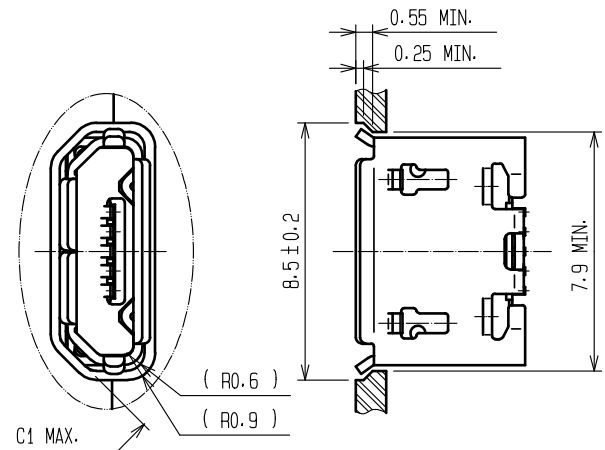
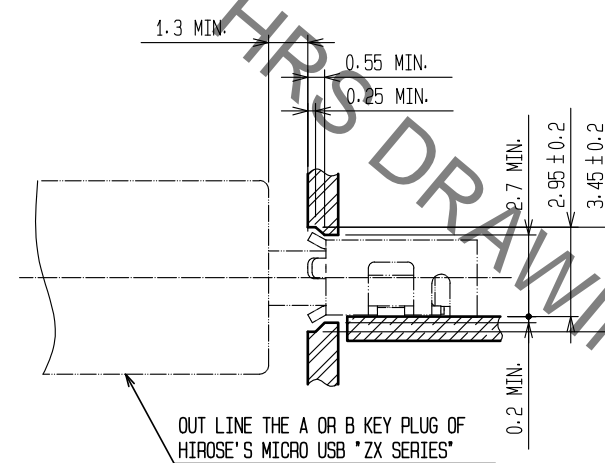


May.1.2020 Copyright 2020 HIROSE ELECTRIC CO., LTD. All Rights Reserved.  
 In case of consideration for using Automotive equipment / device which demand high reliability, kindly contact our sales window correspondents.

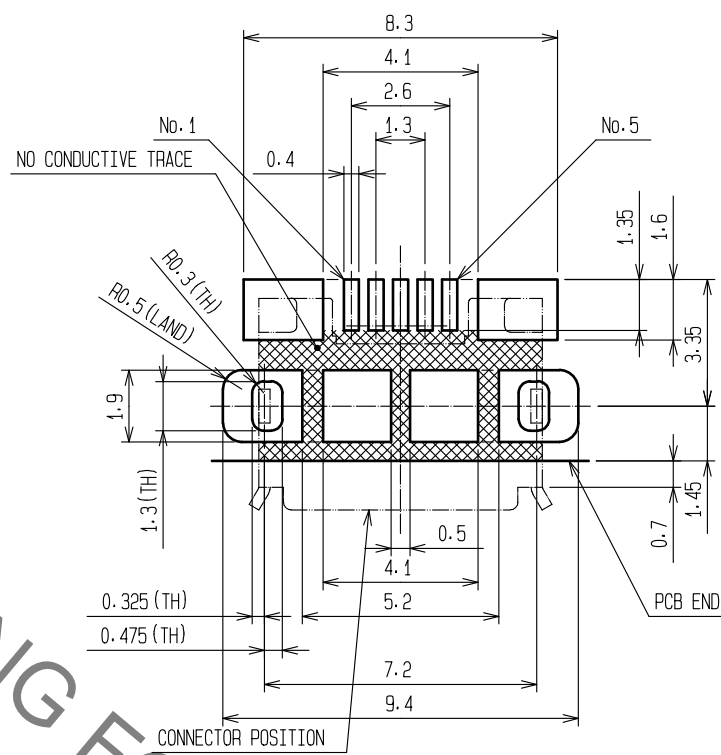
RECOMMENDED PANEL CUTOUT(4:1)



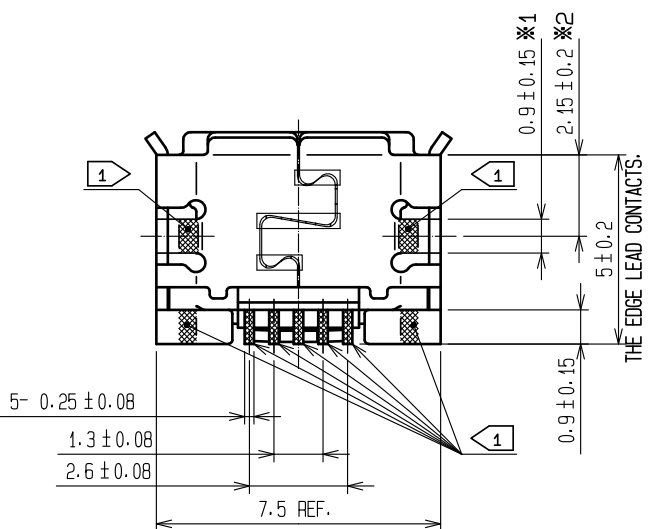
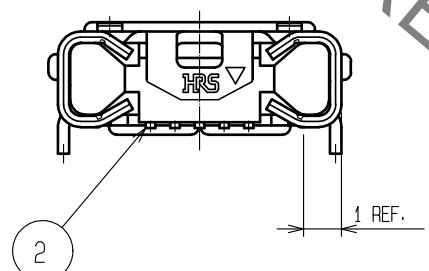
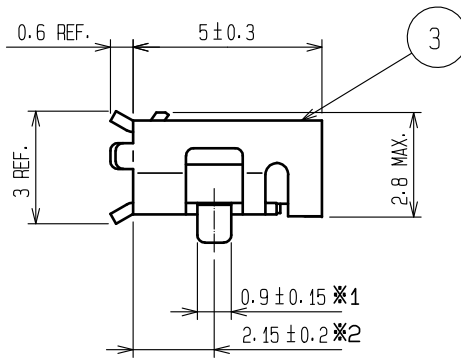
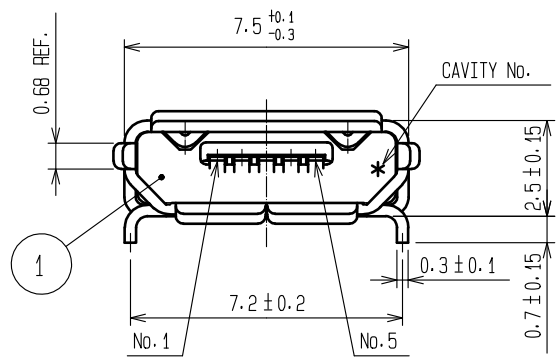
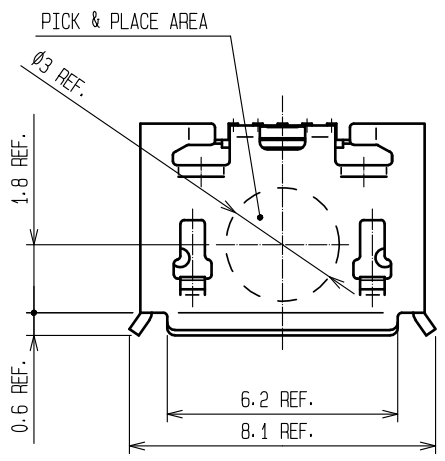
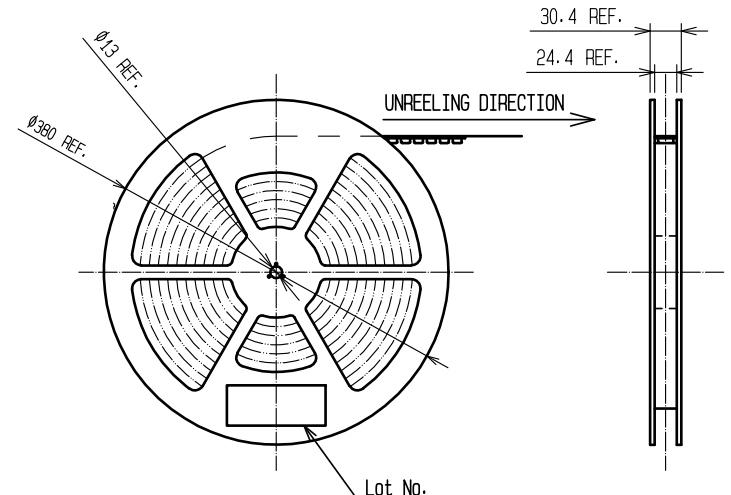
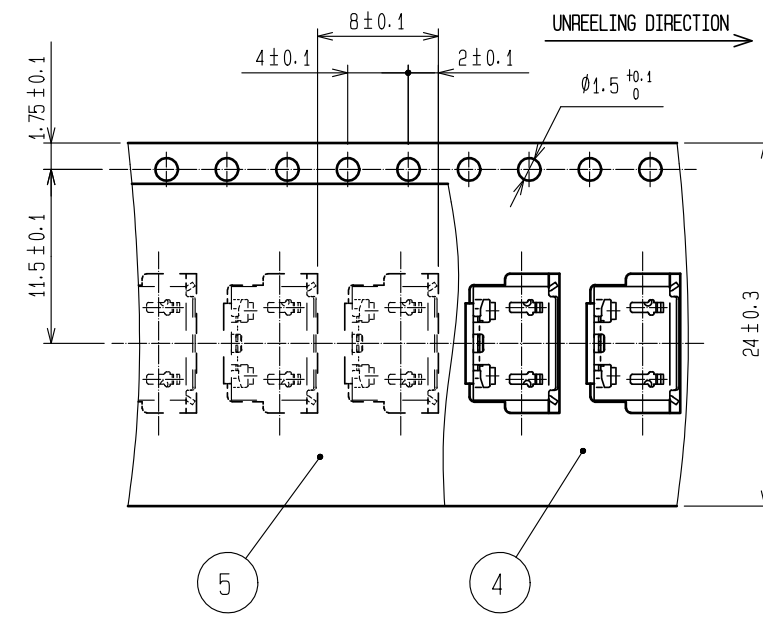
MATED WITH CORRESPONDING PLUG(4:1)



RECOMMENDED PC BOARD PATTERN



DRAWING FOR PACKING(FREE)



- NOTES.
- 1 PARTS CO-PLANARITY IS WITHIN 0.08mm MAX.
  - 2 PLATING  
 CONTACT AREA : GOLD 0.75µm MIN.  
 LEAD AREA : GOLD 0.05µm MIN.  
 UNDER PLATING:NICKEL 2µm MIN.
  - 3 PER REEL : 3000 pcs.
  - 4. INTERFACE DIMENSIONS TO USB2.0 SPECIFICATION.
  - \* INDICATES DUPLICATED DIMENSION.
  - 6. AS FOR PART No.3, THE PERFORMANCE REMAINS GOOD EVEN IF THERE IS A RUBBING WOUND BY THE ASSEMBLY PROCESS.
  - 7. AS FOR PART No.3, THERE IS NO PROBLEM ON THE QUALITY THOUGH THERE MIGHT BE A DIFFERENCE IN THE COLOR DEPENDING ON THE PLATING PROCESSING LOT.

2	COPPER ALLOY	2	5	PE			
1	LCP	BLACK UL94V-0	4	PS			
			3	STAINLESS STEEL	TIN PLATING 1µm MIN. LUBRICANT		
NO.	MATERIAL	FINISH . REMARKS	NO.	MATERIAL	FINISH . REMARKS		
UNITS	mm	SCALE	COUNT	DESCRIPTION OF REVISIONS	DESIGNED	CHECKED	DATE
		5 : 1	△				
APPROVED : NM. NISHIMATSU		15.10.27	DRAWING NO.		EDC-126572-30-00		
CHECKED : KN. ICHIKAWA		15.10.27	PART NO.		ZX62D1-B-5PA(30)		
DESIGNED : TS. ITO		15.10.27	CODE NO.		CL242-0048-5-30		
DRAWN : AK. AKIYAMA		15.10.27					