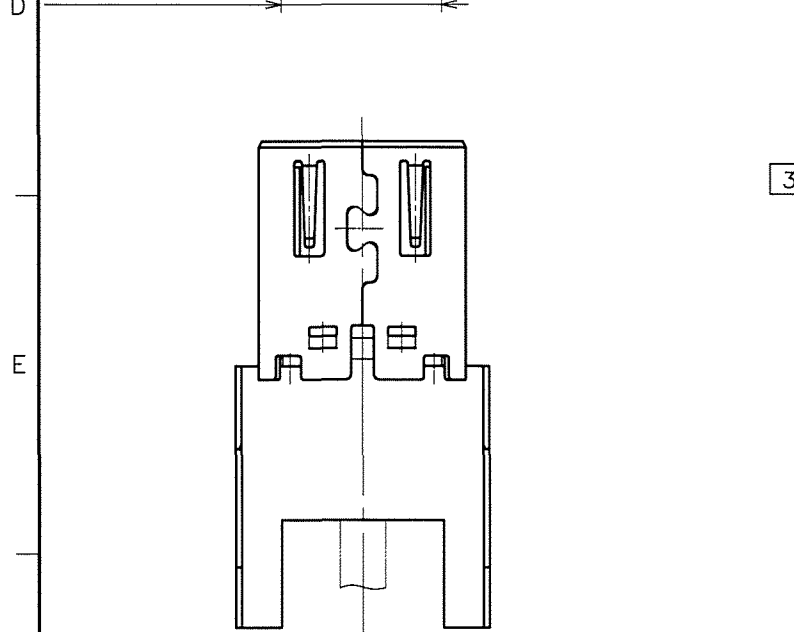
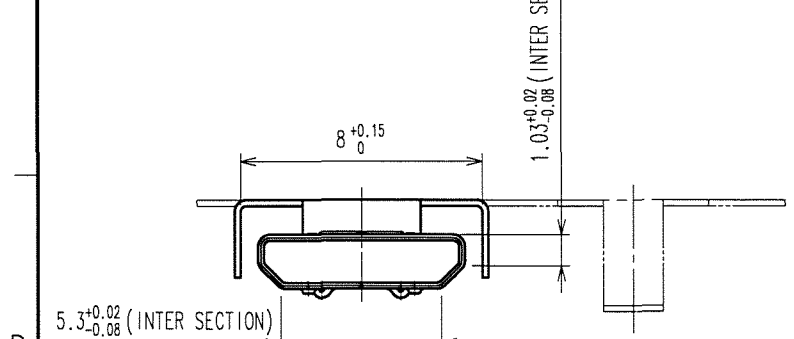
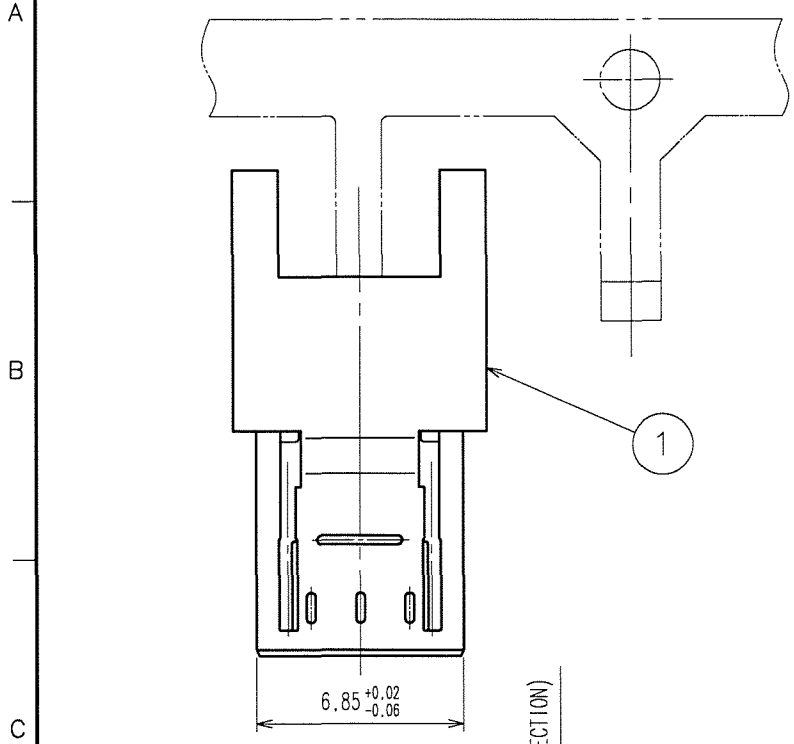


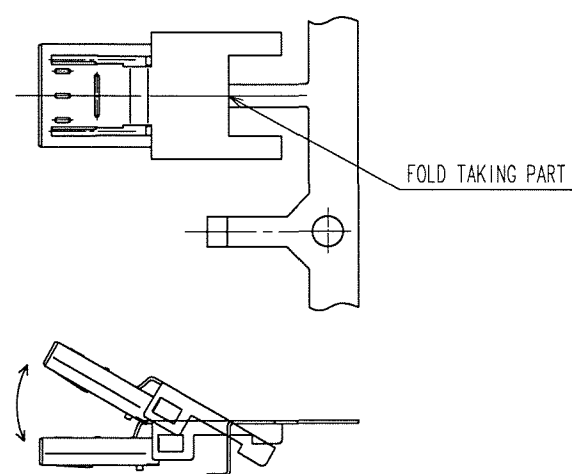
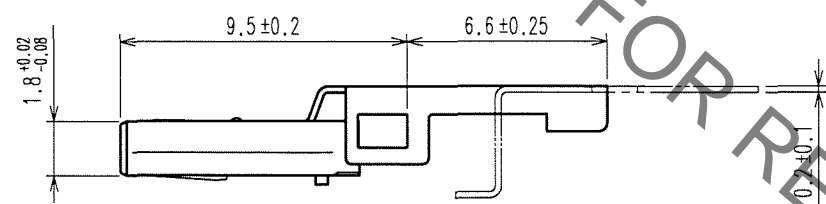
Jun.1.2020 Copyright 2020 HIROSE ELECTRIC CO., LTD. All Rights Reserved.
In case of consideration for using Automotive equipment / device which demand high reliability, kindly contact our sales window correspondents.

COUNT	DESCRIPTION OF REVISIONS	BY	CHKD	DATE	COUNT	DESCRIPTION OF REVISIONS	BY	CHKD	DATE
△					△				
△					△				
△					△				



HRS DRAWING FOR REFERENCE

3 Fig - 2 CUT OFF A CAREER(FREE)



- NOTES
- 1 THIS IS DELIVERED BY A REEL .QTY:4000PCS
 - 2 SHOWN ON A REEL AND A BOX IS ; " PART No. ", " CODE No. ", " LOT No. ", " QTY "
 - 3 CUT OFF CAREER AS SHOWN IN Fig-2.

TO

NO.	MATERIAL	FINISH, REMARKS	NO.	MATERIAL	FINISH, REMARKS
1	STAINLESS STEEL			NICKEL 0.1 μm MIN	
CODE NO. (OLD)			DRAWN	DESIGNED	CHECKED
			<i>M. Shingara</i>	<i>M. Shingara</i>	<i>R. Koyama</i>
			07.2.1	07.2.1	07.02.02
					07.02.05
DRAWING NO.			PART NO.		
EDC3-126125			ZX64-B-SLDC		
UNITS			CODE NO.		
mm			CL242-0018-4		