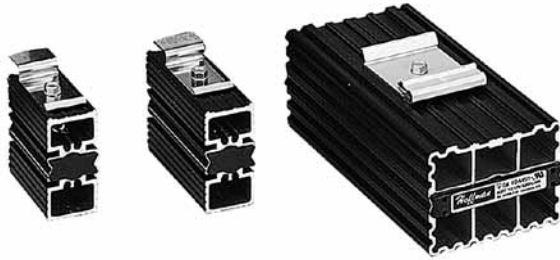


## Semiconductor Heater



### Industry Standards

cURus Component Recognized; File No. E150057

IEC IP54  
CE

### Application

Protect electronic, pneumatic, hydraulic and mechanical equipment from low temperatures, condensation and corrosion with this heater, which maintains a stable enclosure temperature.

### Specifications

- PTC (Positive Temperature Coefficient) heating element
- Mounting clip for 35-mm DIN rails EN 50022

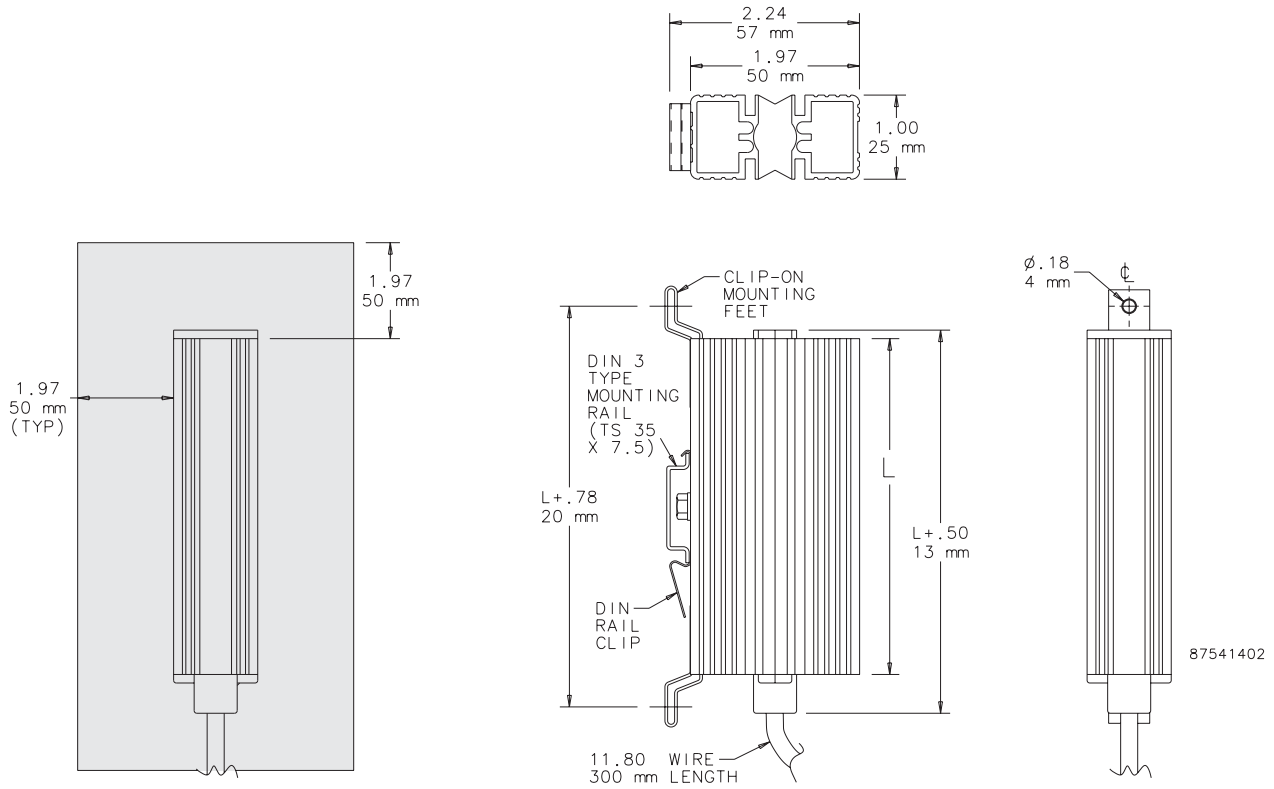
### Finish

Black anodized, extruded aluminum.

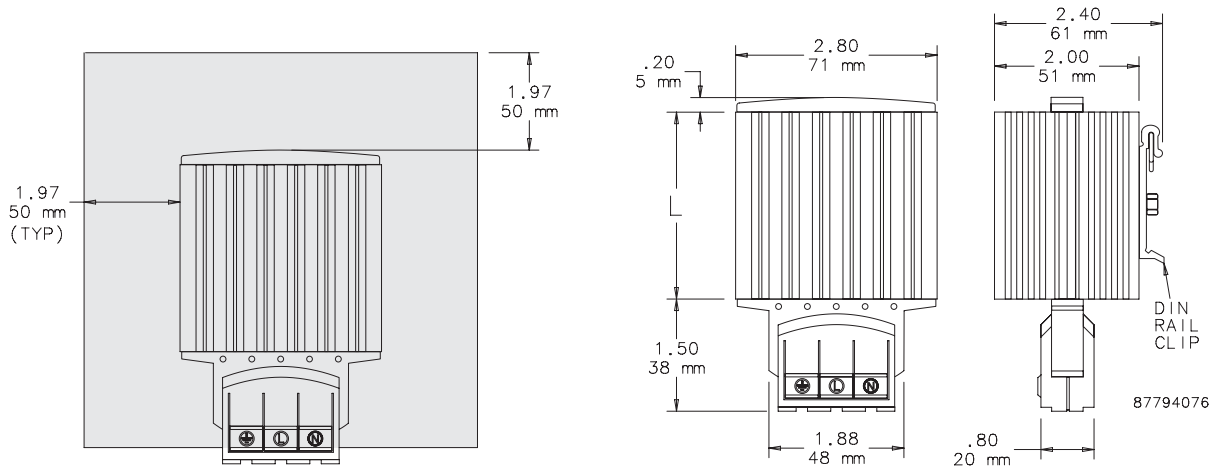
### Performance Data

CATALOG NUMBERS			
Catalog Number	DAH101	DAH301	DAH601
<b>ELECTRICAL DATA</b>			
<b>Rated Voltage</b>	<b>AC/DC 110/120</b>	<b>AC/DC 110/120</b>	<b>AC/DC 110/250</b>
Power Consumption (Watts)	10	30	60
Start Nominal Current (Amps)	0.8	1.2	2.5
<b>HEATING PERFORMANCE</b>			
<b>Watts</b>	<b>10</b>	<b>30</b>	<b>60</b>
<b>UNIT CONSTRUCTION</b>			
L (in./mm)	1.97/50	3.93/100	5.5/140
Weight (lb./kg)	0.45/0.20	0.66/0.30	1.10/0.50

Clearance Range for DAH101 and DAH301



Clearance Range for DAH601



Enclosure Heaters

Electric Heater



**CAUTION**

These electric heaters are not designed for use in dusty, dirty, corrosive, or hazardous locations. Portions of the heater can get hot. Adequate protection must be taken to protect people from potential burns, and to protect other components from this heat. Hoffman recommends this heater only be installed in a totally-enclosed metal enclosure.

**DO NOT INSTALL HEATERS ON WOOD PANELS.** Heat sensitive components should not be placed near the heater discharge area since this air can be quite warm. The clearance range defines the space that must be kept free of these components for proper and safe operation of the heater.

Industry Standards

UL 508A Component Recognized; File No. E61997

CE

Application

Protect mechanical, electrical and electronic equipment from low temperatures, condensation and corrosion with this thermostatically controlled, fan-driven heater that maintains a stable enclosure temperature.

Fan draws cool air from the bottom of the enclosure and passes this air across the thermostat and heating elements before being released into enclosure cavity. Heated air is discharged through the top of the heater unit.

Specifications

- Aluminum housing
- Thermostat range adjustable from 0 F to 100 F (-18 C to 38 C)
- Four 10-32 x self-tapping screws are included with each heater
- Ball bearing fan
- Terminal strip with clamp connector that accepts both solid and stranded wire

Finish

Brushed aluminum

Performance Data 100 and 200 Watt Heaters

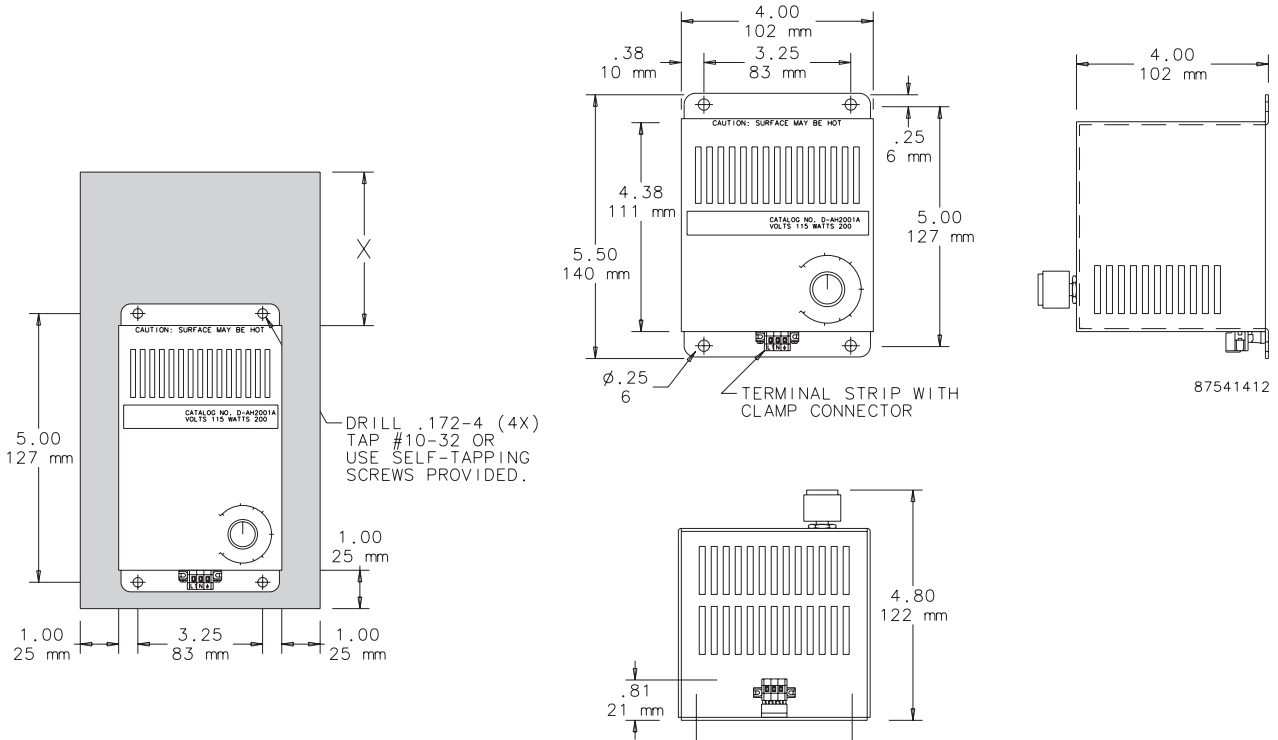
CATALOG NUMBERS				
Catalog Number	DAH1001A	DAH1002A	DAH2001A	DAH2002A
<b>ELECTRICAL DATA</b>				
Rated Voltage	115	230	115	230
Frequency (Hz)	50/60	50/60	50/60	50/60
Power Consumption (Watts)	100	100	200	200
Nominal Current (Amps)	0.98	0.49	1.89	0.95
<b>HEATING PERFORMANCE</b>				
Watts	100	100	200	200
<b>UNIT CONSTRUCTION</b>				
Weight (lb./kg)	4/1.81	4/1.81	4/1.81	4/1.81

Performance Data 400 and 800 Watt Heaters

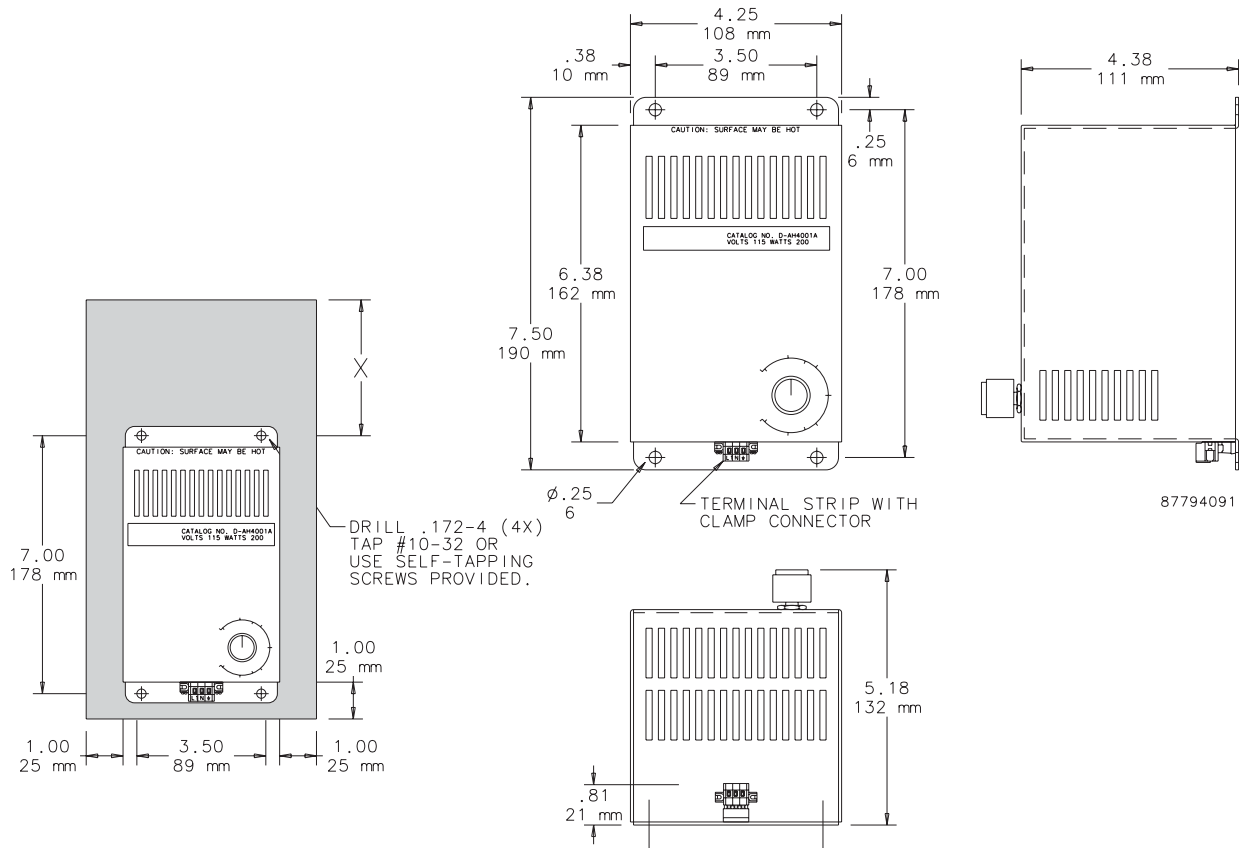
CATALOG NUMBERS				
Catalog Number	DAH4001B	DAH4002B	DAH8001B	DAH8002B
<b>ELECTRICAL DATA</b>				
Rated Voltage	115	230	115	230
Frequency (Hz)	50/60	50/60	50/60	50/60
Power Consumption (Watts)	400	400	800	800
Nominal Current (Amps)	3.72	1.86	7.37	3.69
<b>HEATING PERFORMANCE</b>				
Watts	400	400	800	800
<b>UNIT CONSTRUCTION</b>				
Weight (lb./kg)	6/2.72	6/2.72	6/2.72	6/2.72

### Enclosure Heaters

Dimensions and Clearance Range Drawing for DAH1001A, -2A and DAH2001A, -2A



Dimensions and Clearance Range Drawing for DAH4001B, -2B and DAH8001B, -2B



### Hazardous Location Heater



#### Industry Standards

CE  
Conformity Certificate LCIE (Laboratoire Central des Industries  
Electriques) LCIE 01 ATEX 6073  
EEx d IIC T4/II 2 GD, IP6x T135°C  
IEC 60529, IP65/1 (grounded)

#### Application

Designed for use in hazardous locations where electronic components require protection from condensation and corrosion, sudden temperature drops and low temperatures.

#### Features

- Maintenance-free
- High-performance heating cartridge (element)
- Large convection surface
- Extruded aluminum heat sink
- DIN clip for mounting
- Connection cable: Si HF-JZ 3 x AWG 18 x 3.3 ft. (0.75 mm<sup>2</sup> x 1 m)
- Operating voltage 110-120 VAC

#### Finish

Black anodized

#### Performance Data Hazardous Location Heater

CATALOG NUMBERS	
Catalog Number	HLHEAT100
DESIGN DATA	
Heating Power (Watts)	100
Surface Temperature T4 (°F/°C) *	275/135
UNIT CONSTRUCTION	
Unit Dimensions - H x W x D (in. / mm)	7.10/180 x 4.65/118 x 270/69

\* Surface temperature when mounted vertically.

