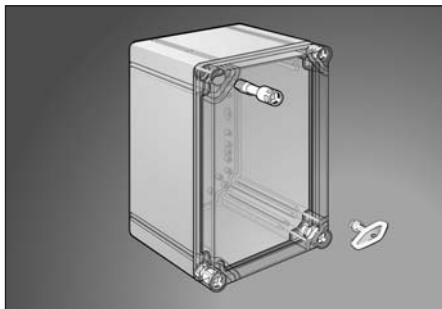




A Pentair Company

Rev. A October 2004

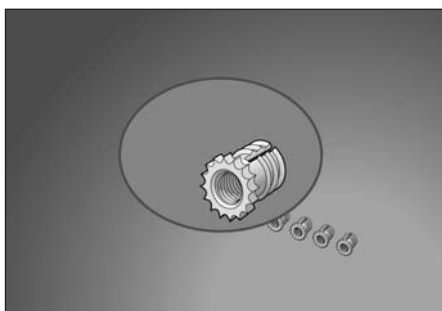
# QLINE® I Polycarbonate and ABS Type 4X Accessories



### Cover Screw Kit

Screws are polyamide. Wing-head-style screws provide rapid access to enclosure interior without requiring special tools to open. Kit includes four polyamide cover screws. Tamper-resistant screws have molded 3mm double-bit drive; kit includes four screws and one key.

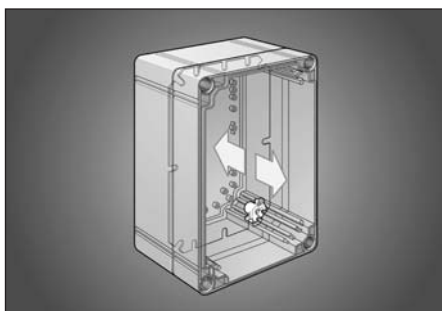
Catalog Number	Description
QIWHSK	wing-head screw
QITSK	3mm tamper-resistant double-bit



### Brass Insert Kit

Four M5 self-tapping brass inserts screw into molded pads in bottom of enclosure. Inserts have M3 internal thread.

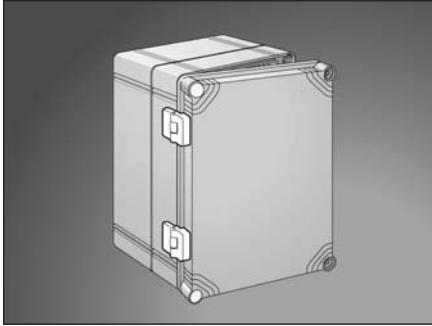
Catalog Number
QBIK



### Panel Depth Fitting

attaches to corner molded rails of enclosure to facilitate full-range front-to-back panel adjustment. Package includes four polyamide fittings and zinc-plated screws.

Catalog Number
QIPDF

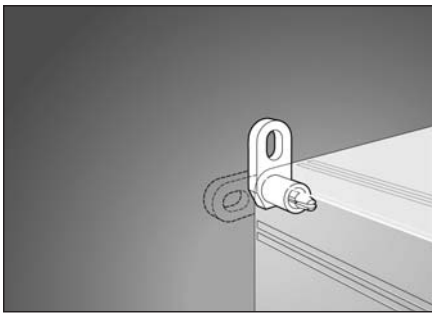


**Hinge Kit**

includes two polyamide hinges, eight M4 self-tapping zinc plated screws, eight flat washers, and drilling template.

NOTE: Kit may not meet Type 4 requirements and should therefore be verified by customer.

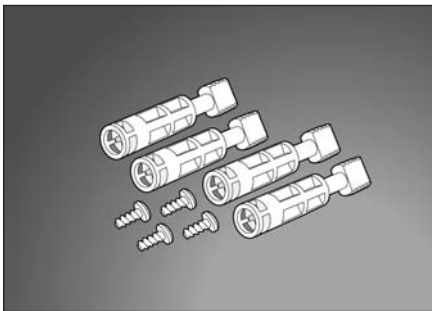
Catalog Number
QIHK



**Mounting Bracket Kit**

has four polycarbonate brackets and four M3 self-tapping zinc-plated screws. Kit is field installable. Maintains listed ratings for enclosure.

Catalog Number
QIMFK



**Hardware Kit**

includes four polyamide cover screws and four M5 self-tapping zinc-plated panel screws. This kit is offered as a replacement kit for lost or damaged hardware originally furnished with the enclosure.

Catalog Number	Description
QIHK424	42mm screw