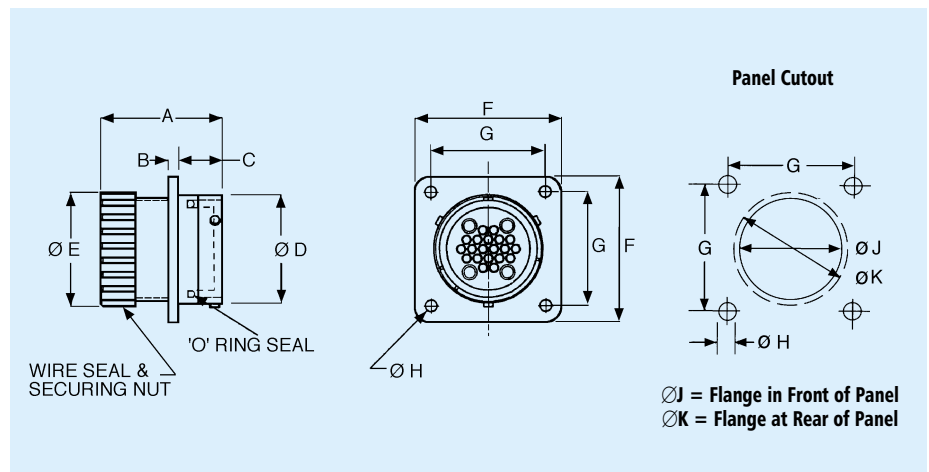


Standard Receptacles — Socket Contacts

Flange Mounting



- For Wire Sealing Ranges, see page 27.
- For Panel Gaskets, see page 35.
- Receptacle may be ordered without securing nut and wire seal. Contact Cannon for details.
- Bulk packaging options available. Contact Cannon for details



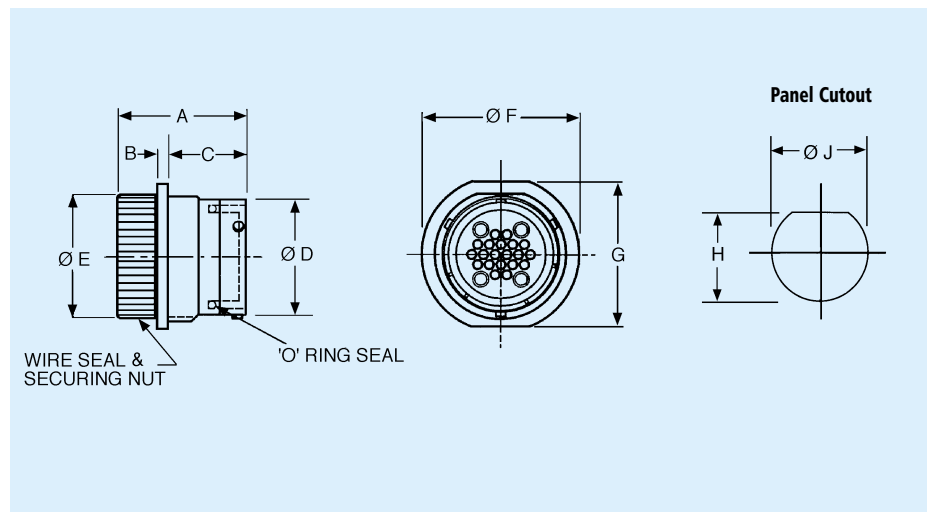
Contact Layout	Shell Size	Part Number	Nomenclature	A	B	C	ØD	ØE	F	G	ØH	ØJ	ØK
4-20	24	192900-0030	TN0S2404-20S1L	41,80 (1.645)	3,50 (.137)	15,40 (.606)	38,10 (1.500)	40,10 (1.578)	50,80 (2.000)	39,70 (1.563)	4,20 (.165)	41,00 (1.614)	41,00 (1.614)
4-28	24	192900-0033	TN0S2404-28S1L	41,80 (1.645)	3,50 (.137)	15,40 (.606)	38,10 (1.500)	40,10 (1.578)	50,80 (2.000)	39,70 (1.563)	4,20 (.165)	41,00 (1.614)	41,00 (1.614)
12-19	24	192900-0036	TN0S2412-19S1L	41,80 (1.645)	3,50 (.137)	15,40 (.606)	38,10 (1.500)	40,10 (1.578)	50,80 (2.000)	39,70 (1.563)	4,20 (.165)	41,00 (1.614)	41,00 (1.614)
0-48	24	192900-0475	TN0S2400-48S1L	41,80 (1.645)	3,50 (.137)	15,40 (.606)	38,10 (1.500)	40,10 (1.578)	50,80 (2.000)	39,70 (1.563)	4,20 (.165)	41,00 (1.614)	41,00 (1.614)
0-48 (L)	24	192991-0640	TN0L2400-48S1L	52,70 (2.075)	3,50 (.137)	15,40 (.606)	38,10 (1.500)	40,10 (1.578)	50,80 (2.000)	39,70 (1.563)	4,20 (.165)	41,00 (1.614)	41,00 (1.614)
0-19	16	192900-0039	TN0S1600-19S1L	39,80 (1.566)	2,30 (.090)	11,40 (.448)	25,40 (1.000)	27,00 (1.063)	31,00 (1.220)	24,50 (.964)	3,20 (.125)	28,10 (1.106)	28,10 (1.106)
2-13	16	192900-0509	TN0S1602-13S1L	39,80 (1.566)	2,30 (.090)	11,40 (.448)	25,40 (1.000)	27,00 (1.063)	31,00 (1.220)	24,50 (.964)	3,20 (.125)	28,10 (1.106)	28,10 (1.106)
0-12	14	192900-0308	TN0S1400-12S1L	39,70 (1.563)	2,30 (.090)	11,40 (.448)	22,20 (.874)	24,30 (.956)	28,60 (1.122)	22,90 (.901)	3,20 (.125)	24,60 (.968)	24,60 (.968)

(L) Larger overall sealing diameter for thick insulation wires.

Jam Nut Mounting



- Jam Nut included.
- For Wire Sealing Ranges, see page 27.
- For Panel Gaskets, see page 35.
- Receptacle may be ordered without securing nut and wire seal. Contact Cannon for details.
- Bulk packaging options available. Contact Cannon for details.



Contact Layout	Shell Size	Part Number	Nomenclature	A	B	C	ØD	ØE	ØF	G	H	ØJ
4-20	24	192900-0032	TN7S240420S1L	41,80 (1.645)	3,50 (.137)	23,40 (.921)	38,10 (1.500)	40,10 (1.578)	51,00 (2.007)	47,50 (1.870)	41,50 (1.633)	43,20 (1.700)
4-28	24	192900-0035	TN7S240428S1L	41,80 (1.645)	3,50 (.137)	23,40 (.921)	38,10 (1.500)	40,10 (1.578)	51,00 (2.007)	47,50 (1.870)	41,50 (1.633)	43,20 (1.700)
12-19	24	192900-0038	TN7S241219S1L	41,80 (1.645)	3,50 (.137)	23,40 (.921)	38,10 (1.500)	40,10 (1.578)	51,00 (2.007)	47,50 (1.870)	41,50 (1.633)	43,20 (1.700)
0-48	24	192900-0481	TN7S240048S1L	41,80 (1.645)	3,50 (.137)	23,40 (.921)	38,10 (1.500)	40,10 (1.578)	51,00 (2.007)	47,50 (1.870)	41,50 (1.633)	43,20 (1.700)
0-48 (L)	24	192991-0644	TN7L240048S1L	52,70 (2.075)	3,50 (.137)	23,40 (.921)	38,10 (1.500)	40,10 (1.578)	51,00 (2.007)	47,50 (1.870)	41,50 (1.633)	43,20 (1.700)
0-19	16	192900-0490	TN7S160019S1L	39,80 (1.566)	2,30 (.090)	23,00 (.905)	25,40 (1.000)	27,00 (1.063)	39,80 (1.566)	38,40 (1.511)	28,00 (1.102)	30,50 (1.200)
2-13	16	192900-0508	TN7S160213S1L	39,80 (1.566)	2,30 (.090)	23,00 (.905)	25,40 (1.000)	27,00 (1.063)	39,80 (1.566)	38,40 (1.511)	28,00 (1.102)	30,50 (1.200)
0-12	14	192900-0313	TN7S140012S1L	39,70 (1.563)	3,50 (.137)	22,10 (.870)	22,20 (.874)	24,30 (.956)	35,80 (1.409)	32,20 (1.267)	25,10 (.988)	27,30 (1.075)

(L) Larger overall sealing diameter for thick insulation wires.