

Plastic Junction Shell Kits DL1, DL2, DL3

DL1-J/S



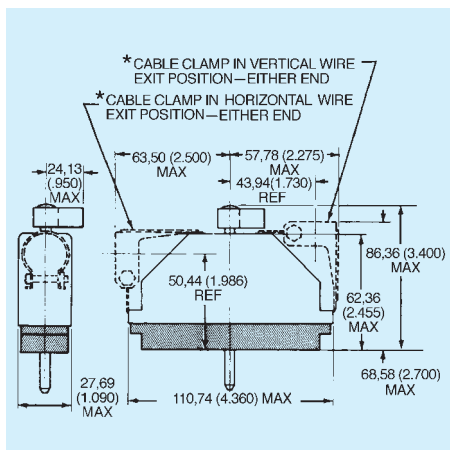
DL2-J/S



DL3-J/S

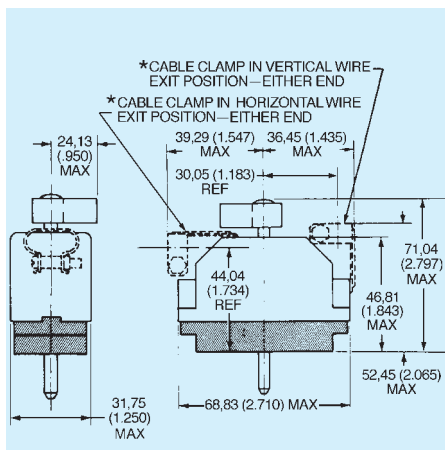


DL1 – Dimensions



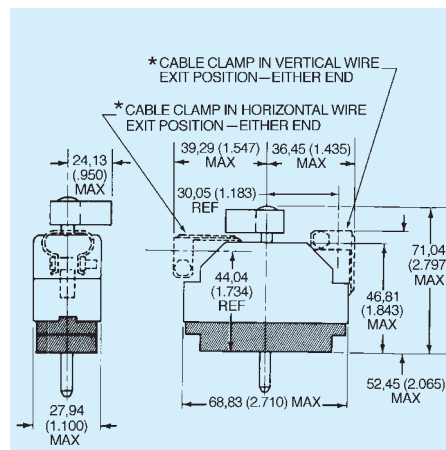
Note: DL1 shell is single piece.

DL2 – Dimensions



Note: DL2 is two piece shell.

DL3 – Dimensions



Note: DL3 is two piece shell.

- Stainless steel cable clamps.
- Thermoplastic UL 94V-1 rated.
- Straight, 90° or 45° cable entry.
- Accommodates up to 22,22 (.875) cable.
- For use with crimp contact connectors.
- Knockout plug provides alternate second entry.
- Complete with 4 attaching screws and nuts.
- Complete with one cable clamp kit.

Junction Shell Kit

| Used On | J/S Kit | Part Number | Mounting | Max. Cable Entry |
|-----------|-----------|--------------|-----------------|------------------|
| DL1, DLM1 | DL1-J/S | 249-1950-000 | Straight or 90° | 22,23 (.875) |
| DL2, DLM2 | DL2-J/S | 249-1985-000 | Straight or 90° | 14,20 (.560) |
| DL2, DLM2 | DL2-2-J/S | 249-2238-000 | Straight or 90° | 15,90 (.625) |
| DL2, DLM2 | DL2-4-J/S | 249-2238-001 | Straight or 90° | 22,23 (.875) |
| DL2, DLM2 | DL2-1-J/S | 249-1985-001 | 45° | 15,90 (.625) |
| DL3, DLM3 | DL3-J/S | 249-2060-000 | Straight or 90° | 14,20 (.560) |
| DL3, DLM3 | DL3-3-J/S | 249-2237-000 | Straight or 90° | 15,90 (.625) |
| DL3, DLM3 | DL3-4-J/S | 249-2237-001 | Straight or 90° | 22,23 (.875) |
| DL3, DLM3 | DL3-2-J/S | 249-2060-001 | 45° | 15,90 (.625) |

Cable Clamp Kit (For optional second entry)

| Used On | C/C Kit | Part Number | Mounting | Max. Cable Entry |
|----------|-----------|--------------|-----------------|------------------|
| DL1 | DL1-C/C | 218-0179-000 | Straight or 90° | 22,23 (.875) |
| DL2, DL3 | DL2-C/C | 218-0180-000 | Straight or 90° | 14,20 (.560) |
| DL2, DL3 | DL2-1-C/C | 218-0181-000 | 45° | 15,90 (.625) |
| DL2, DL3 | DL2-2-C/C | 218-0181-001 | Straight or 90° | 15,90 (.625) |
| DL2, DL3 | DL2-3-C/C | 218-0200-000 | Straight or 90° | 22,23 (.875) |