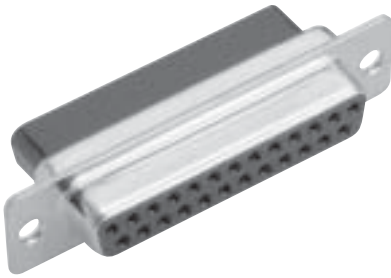


## Receptacle

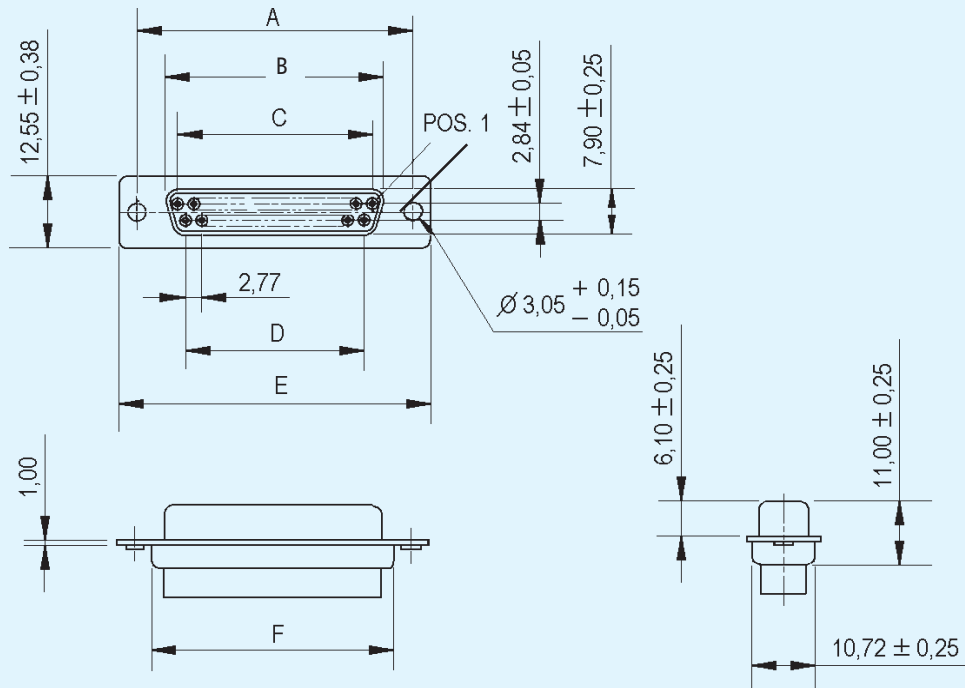
9 – 15 – 25 – 37 contacts



## Designation

Shell size / Arrangement	Through hole	Rivnut thread 4-40	Screwlock thread 4-40
E / 9	DEA9S-A197-FO	DEAE9S-A197-FO	DEAE9S-A197-AB-FO
A / 15	DAA15S-A197-FO	DAAE15S-A197-FO	DAAE15S-A197-AB-FO
B / 25	DBA25S-A197-FO	DBAE25S-A197-FO	DBAE25S-A197-AB-FO
C / 37	DCA37S-A197-FO	DCAE37S-A197-FO	DCAE37S-A197-AB-FO

Connectors supplied without contacts



Shell	A $\pm 0,13$	B $\pm 0,25$	C $\pm 0,13$	D $\pm 0,13$	E $\pm 0,38$	F $\pm 0,25$
E	24,99	16,33	11,08	8,31	30,89	19,28
A	33,32	24,66	19,39	16,62	39,10	27,51
B	47,04	38,38	33,24	30,47	53,09	41,30
C	63,50	54,84	49,86	47,09	69,40	57,71

- Reeled contacts see page 39
- Mounting options see page 44
- Panel cutouts see page 45
- Accessories see page 35, 36, 37, 38