

Cannon Combo D®

Combination D Subminiature connectors for the advantages of an industry standard shield I/O interconnect, with the flexibility of a customized special, designed for any application.

This connector system is ideal for applications that require optimization of space while improving overall shielding. Combo D® accomplishes this by combining multiple interconnect types into one fully shielded product, decreasing the number I/O interfaces and reducing the possibility of EMI/RFI leakage.

Applications

- Video Coaxial Transmission (75 Ω)
- RF and Telecom Transmission (50 Ω)
- Power interconnects (Up to 40 A)

Product Features

- Standard and European Footprints
- Pre-installed 75 Ω / 50 Ω Coaxial or High Power contacts (One Part Number)
- Vertical Standoffs or 90° Brackets
- 90° or Straight PCB
- PC Boards up to 3,2 (.125) Thick
- PCB Variants Available with Boardlocks and/or Screw Locks (#4-40 or M3)
- Fiber Optics (PhD)
- High Voltage up to 2800 VAC

Specifications

Standard materials & finishes

| | | | |
|--|---------------------------------------|--|--|
| Temperature Rating | -55°C to 125°C | Coaxial VSWR | Less than 1.40 + .03F for F up to 1GHz |
| Signal Contact Current Rating | 7.5 A current capacity | Coaxial Insertion Loss | .2dB loss at 1 GHz |
| Signal Contact Resistance | 55 millivolt max. at 7.5 test current | High Power current Rating | Up to 40 A |
| Signal Contact Dielectric Withstanding Voltage | 1250 VAC at Sea Level | High Power Dielectric Withstanding Voltage | 1000 VAC at Sea Level |
| Coaxial Current Rating | 5 A | High Voltage Current Rating | 5 A |
| Coaxial Dielectric Withstanding Voltage | 1000 VAC at Sea Level | High Voltage Contact Dielectric Withstanding Voltage | 2800 V at Sea Level |
| Coaxial Impedance | 75 Ω or 50 Ω | | |

Materials and Finishes

Connector Assembly

| Description | Material | Finish/Treatment |
|----------------|---------------------------|--|
| Shell | Carbon Steel | Tin-Nickel (Industrial), Chromate/Zinc (Military)* |
| Insulator | Black Polyester, UL 94V-0 | None |
| Pin Contact | Copper Alloy | Gold over Nickel |
| Socket Contact | Copper Alloy | Gold over Nickel |
| Standoff | Steel | Trivalent Chromate over Zinc |
| Bracket | Steel | Tin |
| Rivnut | Steel | Tin |
| Boardlock | Copper Alloy | Tin |

Coaxial/High Power/High Voltage Contact Assemblies

| | | |
|-------------------------------|---------------|------------------|
| Contacts and outer shells | Copper Alloy | Gold over Nickel |
| Ring, Retaining | Copper Alloy | Nickel |
| Insulator (Coaxial only) | Teflon | None |
| Insulator (High Voltage only) | Thermoplastic | none |

* Cadmium and Stainless Also Available



Dimensions shown in mm
Specifications and dimensions subject to change

www.ittcannon.com

Materials and Finishes

Connector Assembly (Shells- Gold over Copper) (Modifier NMBK52)

| | | |
|--|---|--|
| Shell | Brass per QQ-B-613 | Gold 50 microinches min., thickness per MIL-G-45204, Type II, Class1 over copper per MIL-C-14550 |
| Insulator | Polycyclohexle Dimethyl, Terephthalate or Polyphenylene, Sulfide co-polymer per MIL-DTL-24308 white or black in color | None |
| Float Mount, Brackets, Captive Nuts Hardware | Brass | Gold |

Coaxial/High Power/High Voltage Contact Assemblies

| | | |
|--------------------------|--------------|--|
| Outer Coaxial Shell | Copper Alloy | Gold microinches min.thickness per MIL-G-45204, Type II, Class 1 over copper per MIL-C-14550 |
| Center Coaxial Contact | Copper Alloy | Gold microinches min.thickness per MIL-G-45204, Type II, Class 1 over copper per MIL-C-14550 |
| Insulator (Coaxial only) | Teflon | None |
| Insulator (Coaxial Only) | Teflon | None |
| Retaining Ring | Copper alloy | Gold |
| High Power Contact | Copper alloy | Gold microinches min.thickness per MIL-G-45204, Type II, Class 1 over copper per MIL-C-14550 |

Connector Assembly (Shells- Yellow Chromate over Cadmium) (Modifier "NMB")

| | | |
|--|---|--|
| Shell | Brass per QQ-B-613 | Yellow chromate over cadmium QQ-P-46, Type II, Class 2 |
| Insulator | Polycyclohexle Dimethyl, Terephthalate or Polyphenylene, Sulfide co-polymer per MIL-DTL-24308 white or black in color | None |
| Contact | Copper Alloy | Gold 50 microinches min. thickness per MIL-G-45204, Type II, Class 1 over copper per MIL-C-14550 |
| Float Mount, Brackets, Captive Nuts Hardware | Brass | Yellow chromate over cadmium QQ-P-416, Type II, Class 2 |

For Crimp, Solder Cup and PCB Type Combo-D's

Typical Part Number:

DBM C 13C3 S J A197

Product Family Designator

- D*M = Solder Cup Industrial & Space/Non-Magnetic Version
- D*MM = Military/Hi-Rel Solder Cup version (50 micro-inch gold contact plating)
- D*A = Crimp Version

****Hardware Modifier**

- = 0.120" (3,05mm) Through Hole
- C = 90° Metal Bracket, 4-40 Fastener, & Boardlock
- D = 90° Metal Bracket, 4-40 Fastener and 4-40 Screwlock
- E = 4-40 Clinchnut
- G = 90° Metal Bracket, 4-40 Fastener, 4-40 Screwlock, Boardlock
- H = .300" (7.6mm) Standoff, 4-40 Screwlock
- J = 90° Metal Bracket, Fastener, M-3 Fastener, Boardlock
- K = 0.162" (4,11mm) Through Hole
- L = 90° Metal Bracket, M-3 Fastener, Boardlock
- N = .300" (7.6mm) Standoff, 4-40 Screwlock, Boardlock
- O = 90° Metal Bracket, Fastener, M-3 Screwlock
- P = 90° Metal Bracket, 4-40 Fastener
- Q = .300" (7.6mm) M-3 Standoff
- S = 90° Metal Bracket, M-3 Fastener
- T = .300" (7.6mm) M-3 Standoff
- U = .300" (7.6mm) Standoff, M-3 Screwlock, Boardlock
- V = .300" (7.6mm) 4-40 Standoff
- W = .300" (7.6mm) Standoff, M-3 Screwlock
- X = M-3 Clinchnut
- Y = Dual Float Mount
- Z = .300" (7.6mm) 4-40 Standoff, Boardlock
- * = Shell Sizes are E, A, B, C, D
- ** = Hardware Modifier not allowed with Non-Magnetic, Low Outgassing Combo-D

Shell Modifier (Standard)

- = Carbon steel, yellow chromate over zinc
- A197 = Carbon steel, tin-nickel plating (receptacles only) (RoHS)
- K87 = Carbon steel, tin-nickel plating (plugs only) (RoHS)
- F225 = Stainless steel shells
- NMBK52 = Space/Non-Magnetic version, gold plated
- A101 = Carbon Steel, Cadmium plating

PC Tail Modifier (Standard)

- = Solder cup (D*M/D*MM; Crimp, D*A)
- J = 90° Std. PCB signal contact (.170" lg by .030")
- N = Straight Std. PCB signal contact (.178 lg by .030")
- V = 90° Euro PCB signal contact (.157" lg by .024")
- Y = Straight Euro PCB signal contact (.178" lg by .024")

Gender

- P = Male Plug, Pin
- S = Female Receptacle, Socket

Layouts Combo-D

- E- 5W1, 2W2, 2WK2
- A- 3W3, 3WK3, 7W2, 11W1
- B- 5W5, 9W4, 13W3, 17W2, 21W1
- C- 8W8, 13W6, 17W5, 21WA4, 25W3, 27W2
- D- 24W7, 36W4, 43W2, 47W1

Combo-D Size 8 Contact Designators:

- W** = w/o Contacts (letters below denote with contacts)
- C = 75 Ohm Coax Contacts Installed
- X = 50 Ohm Coax Contacts Installed
- H = High Power Installed (US Standard)
- P = High Power Installed (European)
- V = High Voltage Installed (Cable and PCB only)
- R = Mini Hi Power 90° installed

** All cable side connectors use the "W" designation (without contacts) for ordering and have size and contacts ordered separately



Combo D European Versions

Typical Part Number: **DBM E- 9C4 P-P00-1A5N- A191-K87-146**

Product Family Designator

D*M = Combo D
 = shell size E, A, B, C and D

Hardware Modifier

without code = 3.05mm" (.120 in.) Through Hole
 E = 4-40 Clinchnut, solder cup, solder pin straight and 1A0N
 N = 7.66 mm (.300 in.) with 4-40 post and pushfit, only OL4
 Q = 7.66 mm (.300 in.) M3 with pushfit, only OL4
 T = 7.66 mm (.300 in.) M3 standoff, only OL4
 U = 7.66 mm (.300 in.) M3 post and pushfit, only OL4
 V = 7.66 mm (.300 in.) 4-40 with pushfit, only OL4
 X = M-3 Clinchnut, solder cup, solder pin straight and 1A0N
 Y = Dual Float Mount, only solder cup
 Z = .7.66 mm (.300 in.) 4-40 with pushfit, only OL4

Layout (Total # of contacts + # of Size 8 Cavities)

without code = Non Combo (9, 15, 25, 37, 50)
 W = Empty size 8 Cavities
 C = 75 Ohm Coax installed (straight or 90°)
 X = 50 Ohm Coax installed (straight or 90°)
 H = High power installed (straight)
 P = High power installed (Euro, 90° only)
 V = High voltage installed (available in straight PC only)
 G = Guide pin or guide socket installed

Gender

P = Male (plug, pin)
 S = Female (receptacle, socket)

Code only applicable for Pressfit High power #8 contacts

P00 = Pressfit High power PCB dia 2,9 mm
 P01 = Pressfit High power PCB dia 3,1 mm
 P02 = Pressfit High power PCB dia 3,5 mm

PCB Mounting Method

146 = Pushfit for PCB hold diameter 3.0, 90° version only
 162 = Pushfit for PCB hold diameter 3.2, 90° version only

Plating Modification

without code = Tellow chromate over zinc on shells
 A197 = Tin on shells
 K87 = Tin with dimples on shells (pin only)

Contact Finishes

without code = performance class 3 (50 mating cycles)
 A191 = performance class 2 (200 mating cycles) Euro standard
 A190 = performance class 1 (500 mating cycles)

Tail Modifier

[OL2] = No standard, please call factory
 = Solder cup (size 8 contacts not loaded on these versions)
 OL4 = Solder pin straight
 1A0N = without mouting bracket, hole dia. 3.05 mm
 1A5N = plastic bracket with bushing dia. 3.05 mm
 1A6N = plastic bracket with post 4-40
 1A7N = metal bracket and captive nut 4-40
 1A8N = metal bracket with post 4-40
 1A9N = metal bracket and captive nut M3
 1ADN = plastic bracket with grounding bracket and bushing dia. 3.05 mm
 1AFN = metal bracket with bushing dia. 3.05 mm
 1AGN = plastic bracket with grounding bracket and post M3
 1AHN = metal bracket with post M3
 1AJN = plastic bracket with grounding bracket and post 4-40
 1APN = plastic bracket with post M3
 1ATN = plastic bracket and captive nut M3
 1AUN = plastic bracket and captive nut 4-40
 1AVN = plastic bracket with grounding bracket and captive nut M3
 1AWN = plastic bracket with grounding bracket and captive nut 4-40
 1AEN = 90° low profile metal bracket captive nut M3
 1AAN = 90° low profile metal bracket captive nut 4-40
 1ABN = 90° low profile metal bracket post M3
 1ACN = low profile metal bracket post 4-40
 1ALN = low profile metal bracket with buhing dia. 3.05 mm

Coaxial 90° PCB Plug, sizes DE – DC, with metal bracket

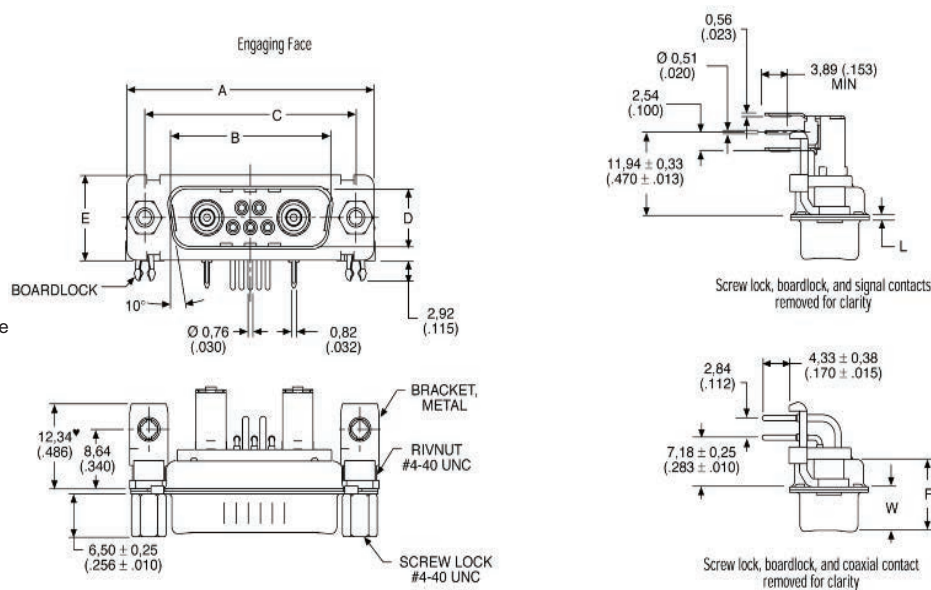
| Shell size | Layout | INDUSTRIAL – US 75 Ohm* coax inserted with US footprint metal bracket and UNC 4-40 captive nut | | INDUSTRIAL – EU** 75 Ohm* coax inserted with EU footprint metal bracket and UNC 4-40 captive nut | | MILITARY/HI-REL – US 50 Ohm* coax inserted with US footprint metal bracket and UNC 4-40 screw lock | | NON-MAGNETIC-LOW OUTGASSING--US*** 50 Ohm* coax inserted with US footprint metal bracket and UNC 4-40 screw lock | |
|------------|--------|---|--------------------|---|--------------------|---|--------------------|---|-----------------------|
| | | P/N without Boardlock | P/N with Boardlock | P/N without Boardlock | P/N with Boardlock | P/N without Boardlock | P/N with Boardlock | P/N with Cadmium Plating | P/N with Gold Plating |
| DE | 2W2 | DEMP2C2P-JK87 | DEMC2C2P-JK87 | DEMP2C2P-VK87 | DEMC2C2P-VK87 | DEMMD2X2P-J | DEMMG2X2P-J | DEM2X2P-JNMB | DEM2X2P-JNMBK52 |
| DE | 2WK2 | DEMP2CK2P-JK87 | DEMC2CK2P-JK87 | DEMP2CK2P-VK87 | DEMC2CK2P-VK87 | DEMMD2XK2P-J | DEMMG2XK2P-J | DEM2XK2P-JNMB | DEM2XK2P-JNMBK52 |
| DE | 5W1 | DEMP5C1P-JK87 | DEMC5C1P-JK87 | DEMP5C1P-VK87 | DEMC5C1P-VK87 | DEMMD5X1P-J | DEMMG5X1P-J | DEM5X1P-JNMB | DEM5X1P-JNMBK52 |
| DA | 7W2 | DAMP7C2P-JK87 | DAMC7C2P-JK87 | DAMP7C2P-VK87 | DAMC7C2P-VK87 | DAMMD7X2P-J | DAMMG7X2P-J | DAM7X2P-JNMB | DAM7X2P-JNMBK52 |
| DA | 11W1 | DAMP11C1P-JK87 | DAMC11C1P-JK87 | DAMP11C1P-VK87 | DAMC11C1P-VK87 | DAMMD11X1P-J | DAMMG11X1P-J | DAM11X1P-JNMB | DAM11X1P-JNMBK52 |
| DA | 3W3 | DAMP3C3P-JK87 | DAMC3C3P-JK87 | DAMP3C3P-VK87 | DAMC3C3P-VK87 | DAMMD3X3P-J | DAMMG3X3P-J | DAM3X3P-JNMB | DAM3X3P-JNMBK52 |
| DA | 3WK3 | DAMP3CK3P-JK87 | DAMC3CK3P-JK87 | DAMP3CK3P-VK87 | DAMC3CK3P-VK87 | DAMMD3XK3P-J | DAMMG3XK3P-J | DAM3XK3P-JNMB | DAM3XK3P-JNMBK52 |
| DB | 5W5 | DBMP5C5P-JK87 | DBMC5C5P-JK87 | DBMP5C5P-VK87 | DBMC5C5P-VK87 | DBMMD5X5P-J | DBMMG5X5P-J | DBM5X5P-JNMB | DBM5X5P-JNMBK52 |
| DB | 9W4 | DBMP9C4P-JK87 | DBMC9C4P-JK87 | DBMP9C4P-VK87 | DBMC9C4P-VK87 | DBMMD9X4P-J | DBMMG9X4P-J | DBM9X4P-JNMB | DBM9X4P-JNMBK52 |
| DB | 13W3 | DBMP13C3P-JK87 | DBMC13C3P-JK87 | DBMP13C3P-VK87 | DBMC13C3P-VK87 | DBMMD13X3P-J | DBMMG13X3P-J | DBM13X3P-JNMB | DBM13X3P-JNMBK52 |
| DB | 17W2 | DBMP17C2P-JK87 | DBMC17C2P-JK87 | DBMP17C2P-VK87 | DBMC17C2P-VK87 | DBMMD17X2P-J | DBMMG17X2P-J | DBM17X2P-JNMB | DBM17X2P-JNMBK52 |
| DB | 21W1 | DBMP21C1P-JK87 | DBMC21C1P-JK87 | DBMP21C1P-VK87 | DBMC21C1P-VK87 | DBMMD21X1P-J | DBMMG21X1P-J | DBM21X1P-JNMB | DBM21X1P-JNMBK52 |
| DC | 8W8 | DCMP8C8P-JK87 | DCMC8C8P-JK87 | DCMP8C8P-VK87 | DCMC8C8P-VK87 | DCMMD8X8P-J | DCMMG8X8P-J | DCM8X8P-JNMB | DCM8X8P-JNMBK52 |
| DC | 13W6 | DCMP13C6P-JK87 | DCMC13C6P-JK87 | DCMP13C6P-VK87 | DCMC13C6P-VK87 | DCMMD13X6P-J | DCMMG13X6P-J | DCM13X6P-JNMB | DCM13X6P-JNMBK52 |
| DC | 17W5 | DCMP17C5P-JK87 | DCMC17C5P-JK87 | DCMP17C5P-VK87 | DCMC17C5P-VK87 | DCMMD17X5P-J | DCMMG17X5P-J | DCM17X5P-JNMB | DCM17X5P-JNMBK52 |
| DC | 21WA4 | DCMP21CA4P-JK87 | DCMC21CA4P-JK87 | DCMP21CA4P-VK87 | DCMC21CA4P-VK87 | DCMMD21XA4P-J | DCMMG21XA4P-J | DCM21CX4P-JNMB | DCM21XA4P-JNMBK52 |
| DC | 25W3 | DCMP25C3P-JK87 | DCMC25C3P-JK87 | DCMP25C3P-VK87 | DCMC25C3P-VK87 | DCMMD25X3P-J | DCMMG25X3P-J | DCM25X3P-JNMB | DCM25X3P-JNMBK52 |
| DC | 27W2 | DCMP27C2P-JK87 | DCMC27C2P-JK87 | DCMP27C2P-VK87 | DCMC27C2P-VK87 | DCMMD27X2P-J | DCMMG27X2P-J | DCM27X2P-JNMB | DCM27X2P-JNMBK52 |

* For 50 ohm coaxial inserts replace C with X, e.g.:DCM13C6P-J becomes DCM13X6P-J. **For M-3 hardware, see part number designator, page 7.

*** Hardware Modifier not allowed with Non Magnetic/ Low Outgassing Combo-D- Contact factory for more information

Plug

- For contact cavity arrangements, see page 61.
- For pcb hole pattern, see pages 67-68.
- For mounting methods, see pages 59-60.



For 50 ohm coaxial version, see readers resource section page 63..

Dimensions

| Shell size | A ± 0,38 (.015) | B ± 0,13 (.005) | C ± 0,13 (.005) | D ± 0,13 (.005) | E ± 0,38 (.015) | F ± 0,25 (.010) | W ± 0,368 (.0145) | W ± 0,41 (.016) | L ± 0,25 (.010) |
|------------|--------------------|--------------------|--------------------|--------------------|--------------------|--------------------|----------------------|--------------------|--------------------|
| DE | 30,81 (1.213) | 16,92 (.665) | 24,99 (.984) | 8,36 (.329) | 12,55 (.494) | 10,72 (.422) | 6,693 (.2635) | — | 0,76 (.030) |
| DA | 39,14 (1.541) | 25,25 (.994) | 33,32 (1.312) | 8,36 (.329) | 12,55 (.494) | 10,72 (.422) | 6,693 (.2635) | — | 0,76 (.030) |
| DB | 53,04 (2.088) | 38,96 (1.534) | 47,04 (1.852) | 8,36 (.329) | 12,55 (.494) | 10,82 (.426) | — | 6,84 (.269) | 0,99 (.039) |
| DC | 69,32 (2.729) | 55,42 (2.182) | 63,50 (2.500) | 8,36 (.329) | 12,55 (.494) | 10,82 (.426) | — | 6,84 (.269) | 0,99 (.039) |



Dimensions shown in mm
Specifications and dimensions subject to change

www.ittcannon.com

Coaxial 90° PCB Receptacle, sizes DE – DC, with metal bracket

INDUSTRIAL – US
75 Ohm* coax inserted with
US Footprint metal bracket
and UNC 4-40 captive nut

INDUSTRIAL – EU**
75 Ohm* coax inserted with
EU Footprint metal bracket
and UNC 4-40 captive nut

MILITARY/HI-REL – US
50 Ohm* coax inserted with
US Footprint metal bracket
and UNC 4-40 screw lock

NON-MAGNETIC/LOW OUTGASSING – US***
50 Ohm* coax inserted with
US Footprint metal bracket
and UNC 4-40 screw lock

| Shell size | Layout | P/N without Boardlock | P/N with Boardlock | P/N without Boardlock | P/N with Boardlock | P/N without Boardlock | P/N with Boardlock | P/N with Cadmium Plating | P/N with Gold Plating |
|------------|--------|-----------------------|--------------------|-----------------------|--------------------|-----------------------|--------------------|--------------------------|-----------------------|
| DE | 2W2 | DEMP2C2S-JA197 | DEMC2C2S-JA197 | DEMP2C2S-VA197 | DEMC2C2S-VA197 | DEMMP2X2S-J | DEM2X2S-J | DEM2X2S-JNMB | DEM2X2S-JNMBK52 |
| DE | 2WK2 | DEMP2CK2S-JA197 | DEMC2CK2S-JA197 | DEMP2CK2S-VA197 | DEMC2CK2S-VA197 | DEMMP2XK2S-J | DEM2XK2S-J | DEM2XK2S-JNMB | DEM2XK2S-JNMBK52 |
| DE | 5W1 | DEMP5C1S-JA197 | DEMC5C1S-JA197 | DEMP5C1S-VA197 | DEMC5C1S-VA197 | DEMMP5X1S-J | DEM5X1S-J | DEM5X1S-JNMB | DEM5X1S-JNMBK52 |
| DA | 7W2 | DAMP7C2S-JA197 | DAMC7C2S-JA197 | DAMP7C2S-VA197 | DAMC7C2S-VA197 | DAMMP7X2S-J | DAM7X2S-J | DAM7X2S-JNMB | DAM7X2S-JNMBK52 |
| DA | 11W1 | DAMP11C1S-JA197 | DAMC11C1S-JA197 | DAMP11C1S-VA197 | DAMC11C1S-VA197 | DAMMP11X1S-J | DAM11X1S-J | DAM11X1S-JNMB | DAM11X1S-JNMBK52 |
| DA | 3W3 | DAMP3C3S-JA197 | DAMC3C3S-JA197 | DAMP3C3S-VA197 | DAMC3C3S-VA197 | DAMMP3X3S-J | DAM3X3S-J | DAM3X3S-JNMB | DAM3X3S-JNMBK52 |
| DA | 3WK3 | DAMP3CK3S-JA197 | DAMC3CK3S-JA197 | DAMP3CK3S-VA197 | DAMC3CK3S-VA197 | DAMMP3XK3S-J | DAM3XK3S-J | DAM3XK3S-JNMB | DAM3XK3S-JNMBK52 |
| DB | 5W5 | DBMP5C5S-JA197 | DBMC5C5S-JA197 | DBMP5C5S-VA197 | DBMC5C5S-VA197 | DBMMP5X5S-J | DBM5X5S-J | DBM5X5S-JNMB | DBM5X5S-JNMBK52 |
| DB | 9W4 | DBMP9C4S-JA197 | DBMC9C4S-JA197 | DBMP9C4S-VA197 | DBMC9C4S-VA197 | DBMMP9X4S-J | DBM9X4S-J | DBM9X4S-JNMB | DBM9X4S-JNMBK52 |
| DB | 13W3 | DBMP13C3S-JA197 | DBMC13C3S-JA197 | DBMP13C3S-VA197 | DBMC13C3S-VA197 | DBMMP13X3S-J | DBM13X3S-J | DBM13X3S-JNMB | DBM13X3S-JNMBK52 |
| DB | 17W2 | DBMP17C2S-JA197 | DBMC17C2S-JA197 | DBMP17C2S-VA197 | DBMC17C2S-VA197 | DBMMP17X2S-J | DBM17X2S-J | DBM17X2S-JNMB | DBM17X2S-JNMBK52 |
| DB | 21W1 | DBMP21C1S-JA197 | DBMC21C1S-JA197 | DBMP21C1S-VA197 | DBMC21C1S-VA197 | DBMMP21X1S-J | DBM21X1S-J | DBM21X1S-JNMB | DBM21X1S-JNMBK52 |
| DC | 8W8 | DCMP8C8S-JA197 | DCMC8C8S-JA197 | DCMP8C8S-VA197 | DCMC8C8S-VA197 | DCMMP8X8S-J | DCM8X8S-J | DCM8X8S-JNMB | DCM8X8S-JNMBK52 |
| DC | 13W6 | DCMP13C6S-JA197 | DCMC13C6S-JA197 | DCMP13C6S-VA197 | DCMC13C6S-VA197 | DCMMP13X6S-J | DCM13X6S-J | DCM13X6S-JNMB | DCM13X6S-JNMBK52 |
| DC | 17W5 | DCMP17C5S-JA197 | DCMC17C5S-JA197 | DCMP17C5S-VA197 | DCMC17C5S-VA197 | DCMMP17X5S-J | DCM17X5S-J | DCM17X5S-JNMB | DCM17X5S-JNMBK52 |
| DC | 21WA4 | DCMP21CA4S-JA197 | DCMC21CA4S-JA197 | DCMP21CA4S-VA197 | DCMC21CA4S-VA197 | DCMMP21XA4S-J | DCM21XA4S-J | DCM21XA4S-JNMB | DCM21XA4S-JNMBK52 |
| DC | 25W3 | DCMP25C3S-JA197 | DCMC25C3S-JA197 | DCMP25C3S-VA197 | DCMC25C3S-VA197 | DCMMP25X3S-J | DCM25X3S-J | DCM25X3S-JNMB | DCM25X3S-JNMBK52 |
| DC | 27W2 | DCMP27C2S-JA197 | DCMC27C2S-JA197 | DCMP27C2S-VA197 | DCMC27C2S-VA197 | DCMMP27X2S-J | DCM27X2S-J | DCM27X2S-JNMB | DCM27X2S-JNMBK52 |

* For 50 ohm coaxial inserts replace C with X, e.g.:DCM13C6S-J becomes DCM13X6S-J. **For M-3 and other hardware options, see part number designator, page 7.

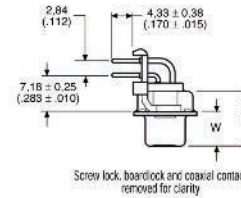
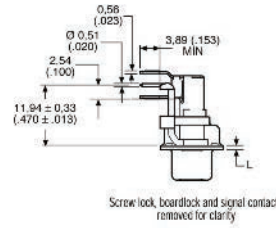
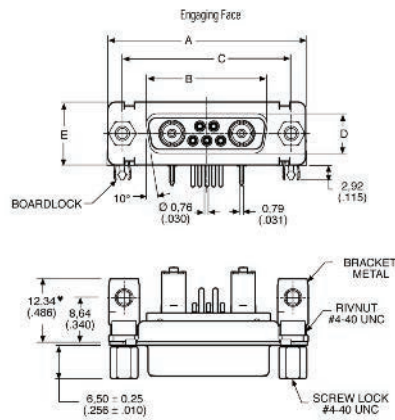
*** Hardware Modifier not allowed with Non Magnetic/ Low Outgassing Combo-D- Contact factory for more information

Receptacle



US version shown – for EU version, please see page 14.
For 50 ohm coaxial version, see readers resource section, page 63.

- For contact cavity arrangements, see page 62.
- For pcb hole pattern, see pages 69-71.
- For mounting methods, see pages 59-60.



Dimensions

| Shell size | A ± 0,38 (.015) | B ± 0,13 (.005) | C ± 0,13 (.005) | D ± 0,13 (.005) | E ± 0,38 (.015) | F ± 0,25 (.010) | W ± 0,38 (.015) | L ± 0,25 (.010) |
|------------|--------------------|--------------------|--------------------|--------------------|--------------------|--------------------|--------------------|--------------------|
| DE | 30,81 (1.213) | 16,33 (.643) | 24,99 (.984) | 7,90 (.311) | 12,55 (.494) | 10,90 (.429) | 6,94 (.273) | 0,76 (.030) |
| DA | 39,14 (1.541) | 24,65 (.971) | 33,32 (1.312) | 7,90 (.311) | 12,55 (.494) | 10,90 (.429) | 6,94 (.273) | 0,76 (.030) |
| DB | 53,04 (2.088) | 38,38 (1.511) | 47,04 (1.852) | 7,90 (.311) | 12,55 (.494) | 10,90 (.429) | 6,94 (.273) | 0,76 (.030) |
| DC | 69,32 (2.729) | 54,84 (2.159) | 63,50 (2.500) | 7,90 (.311) | 12,55 (.494) | 10,90 (.429) | 6,94 (.273) | 0,76 (.030) |



Dimensions shown in mm
Specifications and dimensions subject to change

www.ittcannon.com

Coaxial 90° PCB Plug, sizes DE – DC, with bracket

75 Ohm part numbers with bracket and captive nut M3

75 Ohm part numbers with bracket with bushing dia. 3,05

75 Ohm part number with bracket with post M3

| Shell Layout size | Plastic Bracket | Metal Bracket | Plastic Bracket | Metal Bracket | Plastic Bracket | Metal Bracket |
|-------------------|--------------------------|--------------------------|--------------------------|--------------------------|--------------------------|--------------------------|
| DE 2W2 | DEM-2C2P-1ATN-A191-K87 | DEMO2C2P-1A9N-A191-K87 | DEM-2C2P-1A5N-A191-K87 | DEM-2C2P-1AFN-A191-K87 | DEM-2C2P-APN-A191-K87 | DEM-2C2P-1AHN-A191-K87 |
| DE 2WK2 | DEM-2CK2P-1ATN-A191-K87 | DEMO2CK2P-1A9N-A191-K87 | DEM-2CK2P-1A5N-A191-K87 | DEM-2CK2P-1AFN-A191-K87 | DEM-2CK2P-APN-A191-K87 | DEM-2CK2P-1AHN-A191-K87 |
| DE 5W1 | DEM-5C1P-1ATN-A191-K87 | DEM-5C1P-1A9N-A191-K87 | DEM-5C1P-1A5N-A191-K87 | DEM-5C1P-1AFN-A191-K87 | DEM-5C1P-APN-A191-K87 | DEM-5C1P-1AHN-A191-K87 |
| DA 7W2 | DAM-7C2P-1ATN-A191-K87 | DAM-7C2P-1A9N-A191-K87 | DAM-7C2P-1A5N-A191-K87 | DAM-7C2P-1AFN-A191-K87 | DAM-7C2P-1APN-A191-K87 | DAM-7C2P-1AHN-A191-K87 |
| DA 11W1 | DAM-11C1P-1ATN-A191-K87 | DAM-11C1P-1A9N-A191-K87 | DAM-11C1P-1A5N-A191-K87 | DAM-11C1P-1AFN-A191-K87 | DAM-11C1P-1APN-A191-K87 | DAM-11C1P-1AHN-A191-K87 |
| DA 3W3 | DAM-3C3P-1ATN-A191-K87 | DAM-3C3P-1A9N-A191-K87 | DAM-3C3P-1A5N-A191-K87 | DAM-3C3P-1AFN-A191-K87 | DAM-3C3P-1APN-A191-K87 | DAM-3C3P-1AHN-A191-K87 |
| DA 3WK3 | DAM-3CK3P-1ATN-A191-K87 | DAM-3CK3P-1A9N-A191-K87 | DAM-3CK3P-1A5N-A191-K87 | DAM-3CK3P-1AFN-A191-K87 | DAM-3CK3P-1APN-A191-K87 | DAM-3CK3P-1AHN-A191-K87 |
| DB 5W5 | DBM-5C5P-1ATN-A191-K87 | DBM-5C5P-1A9N-A191-K87 | DBM-5C5P-1A5N-A191-K87 | DBM-5C5P-1AFN-A191-K87 | DBM-5C5P-1APN-A191-K87 | DBM-5C5P-1AHN-A191-K87 |
| DB 9W4 | DBM-9C4P-1ATN-A191-K87 | DBM-9C4P-1A9N-A191-K87 | DBM-9C4P-1A5N-A191-K87 | DBM-9C4P-1AFN-A191-K87 | DBM-9C4P-1APN-A191-K87 | DBM-9C4P-1AHN-A191-K87 |
| DB 13W3 | DBM-13C3P-1ATN-A191-K87 | DBM-13C3P-1A9N-A191-K87 | DBM-13C3P-1A5N-A191-K87 | DBM-13C3P-1AFN-A191-K87 | DBM-13C3P-1APN-A191-K87 | DBM-13C3P-1AHN-A191-K87 |
| DB 17W2 | DBM-17C2P-1ATN-A191-K87 | DBM-17C2P-1A9N-A191-K87 | DBM-17C2P-1A5N-A191-K87 | DBM-17C2P-1AFN-A191-K87 | DBM-17C2P-1APN-A191-K87 | DBM-17C2P-1AHN-A191-K87 |
| DB 21W1 | DBM-21C1P-1ATN-A191-K87 | DBM-21C1P-1A9N-A191-K87 | DBM-21C1P-1A5N-A191-K87 | DBM-21C1P-1AFN-A191-K87 | DBM-21C1P-1APN-A191-K87 | DBM-21C1P-1AHN-A191-K87 |
| DC 8W8 | DCM-8C8P-1ATN-A191-K87 | DCM-8C8P-1A9N-A191-K87 | DCM-8C8P-1A5N-A191-K87 | DCM-8C8P-1AFN-A191-K87 | DCM-8C8P-1APN-A191-K87 | DCM-8C8P-1AHN-A191-K87 |
| DC 13W6 | DCM-13C6P-1ATN-A191-K87 | DCM-13C6P-1A9N-A191-K87 | DCM-13C6P-1A5N-A191-K87 | DCM-13C6P-1AFN-A191-K87 | DCM-13C6P-1APN-A191-K87 | DCM-13C6P-1AHN-A191-K87 |
| DC 17W5 | DCM-17C5P-1ATN-A191-K87 | DCM-17C5P-1A9N-A191-K87 | DCM-17C5P-1A5N-A191-K87 | DCM-17C5P-1AFN-A191-K87 | DCM-17C5P-1APN-A191-K87 | DCM-17C5P-1AHN-A191-K87 |
| DC 21WA4 | DCM-21CA4P-1ATN-A191-K87 | DCM-21CA4P-1A9N-A191-K87 | DCM-21CA4P-1A5N-A191-K87 | DCM-21CA4P-1AFN-A191-K87 | DCM-21CA4P-1APN-A191-K87 | DCM-21CA4P-1AHN-A191-K87 |
| DC 25W3 | DCM-25C3P-1ATN-A191-K87 | DCM-25C3P-1A9N-A191-K87 | DCM-25C3P-1A5N-A191-K87 | DCM-25C3P-1AFN-A191-K87 | DCM-25C3P-1APN-A191-K87 | DCM-25C3P-1AHN-A191-K87 |
| DC 27W2 | DCM-27C2P-1ATN-A191-K87 | DCM-27C2P-1A9N-A191-K87 | DCM-27C2P-1A5N-A191-K87 | DCM-27C2P-1AFN-A191-K87 | DCM-27C2P-1APN-A191-K87 | DCM-27C2P-1AHN-A191-K87 |

For performance class 1 replace A191 with A190.
For performance class 3 delete A191.

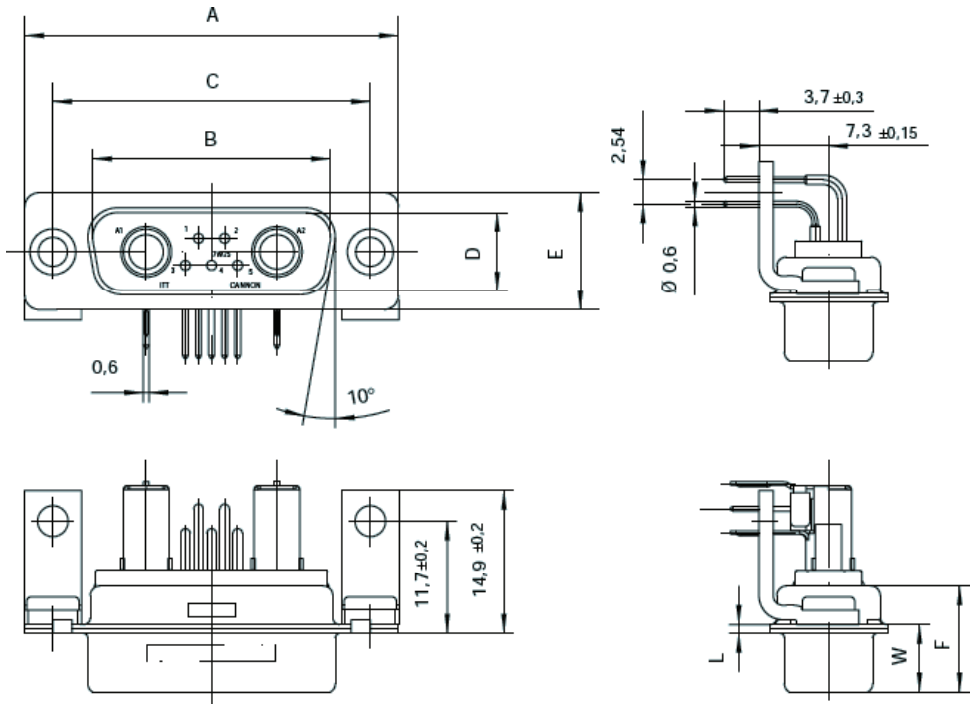
For 50 ohm coaxial replace C with X. Example:
DCM-13C6P-1AFN-A191-K87-146 becomes
DCM-13X6P-1AFN-A191-K87-146.

For pushfit add -146 modifier.
For pushfit 90° pcb hole diameter 3,2 replace 146 with 162.

Plug



- For contact cavity arrangements, see page 61.
- For pcb hole pattern, see pages 72-73.
- For mounting methods, see pages 59-60.



Dimensions

| Shell size | A ± 0,38 (.015) | B ± 0,13 (.005) | C ± 0,13 (.005) | D ± 0,13 (.005) | E ± 0,38 (.015) | F ± 0,25 (.010) | W ± 0,25 (.010) | L ± 0,38 (.015) |
|------------|-----------------|-----------------|-----------------|-----------------|-----------------|-----------------|-----------------|-----------------|
| DE | 30,8 (1.213) | 16,9 (.665) | 25,0 (.984) | 8,35 (.329) | 12,55 (.494) | 10,7 (.421) | 6,7 (.264) | 0,8 (.031) |
| DA | 39,15 (1.541) | 25,5 (.994) | 33,33 (1.311) | 8,35 (.329) | 12,55 (.494) | 10,7 (.421) | 6,7 (.264) | 0,8 (.031) |
| DB | 53,05 (2.089) | 38,95 (1.533) | 47,05 (1.852) | 8,35 (.329) | 12,55 (.494) | 10,8 (.425) | 6,8 (.268) | 0,9 (.035) |
| DC | 69,3 (2.728) | 55,4 (2.181) | 63,5 (2.5) | 8,35 (.329) | 12,55 (.494) | 10,8 (.425) | 6,8 (.268) | 0,9 (.035) |



Dimensions shown in mm
Specifications and dimensions subject to change

www.ittcannon.com

Coaxial 90° PCB Receptacle, sizes DE – DC, with bracket

75 Ohm part numbers with bracket and captive nut M3

75 Ohm part numbers with bracket with bushing dia. 3,05

75 Ohm part number with bracket with post M3

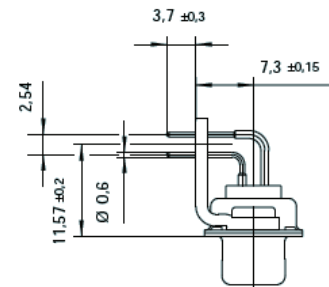
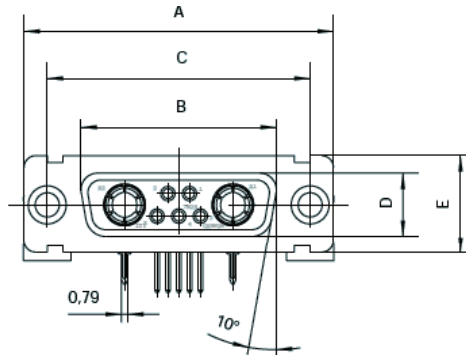
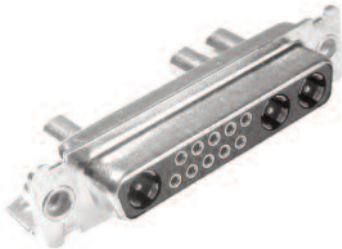
| Shell Layout size | Plastic Bracket | Metal Bracket | Plastic Bracket | Metal Bracket | Plastic Bracket | Metal Bracket |
|-------------------|---------------------------|---------------------------|---------------------------|---------------------------|---------------------------|---------------------------|
| DE 2W2 | DEM-2C2S-1ATN-A191-A197 | DEM-2C2S-1A9N-A191-A197 | DEM-2C2S-1A5N-A191-A197 | DEM-2C2S-1AFN-A191-A197 | DEM-2C2S-1APN-A191-A197 | DEM-2C2S-1AHN-A191-A197 |
| DE 2WK2 | DEM-2CK2S-1ATN-A191-A197 | DEM-2CK2S-1A9N-A191-A197 | DEM-2CK2S-1A5N-A191-A197 | DEM-2CK2S-1AFN-A191-A197 | DEM-2CK2S-1APN-A191-A197 | DEM-2CK2S-1AHN-A191-A197 |
| DE 5W1 | DEM-5C1S-1ATN-A191-A197 | DEM-5C1S-1A9N-A191-A197 | DEM-5C1S-1A5N-A191-A197 | DEM-5C1S-1AFN-A191-A197 | DEM-5C1S-1APN-A191-A197 | DEM-5C1S-1AHN-A191-A197 |
| DA 7W2 | DAM-7C2S-1ATN-A191-A197 | DAM-7C2S-1A9N-A191-A197 | DAM-7C2S-1A5N-A191-A197 | DAM-7C2S-1AFN-A191-A197 | DAM-7C2S-1APN-A191-A197 | DAM-7C2S-1AHN-A191-A197 |
| DA 11W1 | DAM-11C1S-1ATN-A191-A197 | DAM-11C1S-1A9N-A191-A197 | DAM-11C1S-1A5N-A191-A197 | DAM-11C1S-1AFN-A191-A197 | DAM-11C1S-1APN-A191-A197 | DAM-11C1S-1AHN-A191-A197 |
| DA 3W3 | DAM-3C3S-1ATN-A191-A197 | DAM-3C3S-1A9N-A191-A197 | DAM-3C3S-1A5N-A191-A197 | DAM-3C3S-1AFN-A191-A197 | DAM-3C3S-1APN-A191-A197 | DAM-3C3S-1AHN-A191-A197 |
| DA 3WK3 | DAM-3CK3S-1ATN-A191-A197 | DAM-3CK3S-1A9N-A191-A197 | DAM-3CK3S-1A5N-A191-A197 | DAM-3CK3S-1AFN-A191-A197 | DAM-3CK3S-1APN-A191-A197 | DAM-3CK3S-1AHN-A191-A197 |
| DB 5W5 | DBM-5C5S-1ATN-A191-A197 | DBM-5C5S-1A9N-A191-A197 | DBM-5C5S-1A5N-A191-A197 | DBM-5C5S-1AFN-A191-A197 | DBM-5C5S-1APN-A191-A197 | DBM-5C5S-1AHN-A191-A197 |
| DB 9W4 | DBM-9C4S-1ATN-A191-A197 | DBM-9C4S-1A9N-A191-A197 | DBM-9C4S-1A5N-A191-A197 | DBM-9C4S-1AFN-A191-A197 | DBM-9C4S-1APN-A191-A197 | DBM-9C4S-1AHN-A191-A197 |
| DB 13W3 | DBM-13C3S-1ATN-A191-A197 | DBM-13C3S-1A9N-A191-A197 | DBM-13C3S-1A5N-A191-A197 | DBM-13C3S-1AFN-A191-A197 | DBM-13C3S-1APN-A191-A197 | DBM-13C3S-1AHN-A191-A197 |
| DB 17W2 | DBM-17CS2-1ATN-A191-A197 | DBM-17CS2-1A9N-A191-A197 | DBM-17CS2-1A5N-A191-A197 | DBM-17CS2-1AFN-A191-A197 | DBM-17CS2-1APN-A191-A197 | DBM-17CS2-1AHN-A191-A197 |
| DB 21W1 | DBM-21C1S-1ATN-A191-A197 | DBM-21C1S-1A9N-A191-A197 | DBM-21C1S-1A5N-A191-A197 | DBM-21C1S-1AFN-A191-A197 | DBM-21C1S-1APN-A191-A197 | DBM-21C1S-1AHN-A191-A197 |
| DC 8W8 | DCM-8C8S-1ATN-A191-A197 | DCM-8C8S-1A9N-A191-A197 | DCM-8C8S-1A5N-A191-A197 | DCM-8C8S-1AFN-A191-A197 | DCM-8C8S-1APN-A191-A197 | DCM-8C8S-1AHN-A191-A197 |
| DC 13W6 | DCM-13C6S-1ATN-A191-A197 | DCM-13C6S-1A9N-A191-A197 | DCM-13C6S-1A5N-A191-A197 | DCM-13C6S-1AFN-A191-A197 | DCM-13C6S-1APN-A191-A197 | DCM-13C6S-1AHN-A191-A197 |
| DC 17W5 | DCM-17C5S-1ATN-A191-A197 | DCM-17C5S-1A9N-A191-A197 | DCM-17C5S-1A5N-A191-A197 | DCM-17C5S-1AFN-A191-A197 | DCM-17C5S-1APN-A191-A197 | DCM-17C5S-1AHN-A191-A197 |
| DC 21WA4 | DCM-21CA4S-1ATN-A191-A197 | DCM-21CA4S-1A9N-A191-A197 | DCM-21CA4S-1A5N-A191-A197 | DCM-21CA4S-1AFN-A191-A197 | DCM-21CA4S-1APN-A191-A197 | DCM-21CA4S-1AHN-A191-A197 |
| DC 25W3 | DCM-25C3S-1ATN-A191-A197 | DCM-25C3S-1A9N-A191-A197 | DCM-25C3S-1A5N-A191-A197 | DCM-25C3S-1AFN-A191-A197 | DCM-25C3S-1APN-A191-A197 | DCM-25C3S-1AHN-A191-A197 |
| DC 27W2 | DCM-27C2S-1ATN-A191-A197 | DCM-27C2S-1A9N-A191-A197 | DCM-27C2S-1A5N-A191-A197 | DCM-27C2S-1AFN-A191-A197 | DCM-27C2S-1APN-A191-A197 | DCM-27C2S-1AHN-A191-A197 |

For performance class 1 replace A191 with A190.
For performance class 3 delete A191.

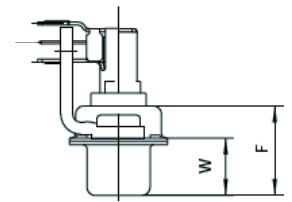
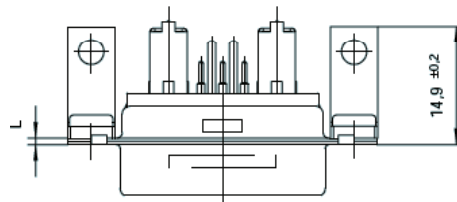
For 50 ohm coaxial replace C with X, Example:
DCM-13C6S-1AFN-A191-A197-146 becomes
DCM-13X6S-1AFN-A191-A197-146.

For 3,0 mm pushfit add -146 modifier,
For 3,2 mm pushfit add -162 modifier.

Receptacle



- For contact cavity arrangements, see page 62.
- For pcb hole pattern, see pages 74-75.
- For mounting methods, see pages 59-60.



Dimensions

| Shell size | A ± 0,38 (.015) | B ± 0,13 (.005) | C ± 0,13 (.005) | D ± 0,13 (.005) | E ± 0,38 (.015) | F ± 0,25 (.010) | W ± 0,25 (.010) | L ± 0,38 (.015) |
|------------|--------------------|--------------------|--------------------|--------------------|--------------------|--------------------|--------------------|--------------------|
| DE | 30,8 (1.213) | 16,35 (.644) | 25 (.984) | 7,90 (.311) | 12,55 (.494) | 10,90 (.429) | 6,95 (.274) | 0,8 (.031) |
| DA | 39,15 (1.541) | 24,65 (.970) | 33,33 (1.311) | 7,90 (.311) | 12,55 (.494) | 10,90 (.429) | 6,95 (.274) | 0,8 (.031) |
| DB | 53,05 (2.089) | 38,4 (1.512) | 47,05 (1.852) | 7,90 (.311) | 12,55 (.494) | 10,90 (.429) | 6,95 (.274) | 0,8 (.031) |
| DC | 69,3 (2.728) | 54,85 (2.159) | 63,5 (2.5) | 7,90 (.311) | 12,55 (.494) | 10,90 (.429) | 6,95 (.274) | 0,8 (.031) |

Dimensions shown in mm
Specifications and dimensions subject to change

www.ittcannon.com



Coaxial straight PCB Plug, sizes DE – DD

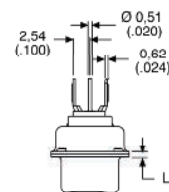
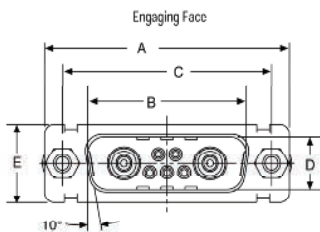
75 Ohm* coax inserted with straight contacts
and standoff with UNC 4-40 thread

| Shell size | Layout | 75 OHM INDUSTRIAL | | 50 OHM MILITARY/HI-REL | | NON-MAGNETIC/LOW OUTGASSING*** | |
|------------|--------|-----------------------|--------------------|------------------------|------------------------|--------------------------------|-----------------------|
| | | P/N without Boardlock | P/N with Boardlock | P/N without Boardlock | P/N with UNC Boardlock | P/N with Cadmium Plating | P/N with Gold Plating |
| DE | 2W2 | DEMV2C2P-NK87 | DEM2C2P-NK87 | DEMMV2X2P-N | DEMMZ2X2P-N | DEMV2X2P-NNMB | DEM2X2P-NNMBK52 |
| DE | 2WK2 | DEMV2CK2P-NK87 | DEM2CK2P-NK87 | DEMMV2XK2P-N | DEMMZ2XK2P-N | DEMV2XK2P-NNMB | DEM2XK2P-NNMBK52 |
| DE | 5W1 | DEMV5C1P-NK87 | DEM25C1P-NK87 | DEMMV5X1P-N | DEMMZ5X12P-N | DEMV5X1P-NNMB | DEM25X1P-NNMBK52 |
| DA | 7W2 | DAMV7C2P-NK87 | DAMZ7C2P-NK87 | DAMMV7X2P-N | DAMMZ7X2P-N | DAMV7X2P-NNMB | DAMZ7X2P-NNMBK52 |
| DA | 7W2 | DAMV7C2P-NAK87 | DAMZ7C2P-NAK87 | DAMMV7X2P-N | DAMMZ7X2P-N | DAMV7X2P-NNMB | DAMZ7X2P-NNMBK52 |
| DA | 11W1 | DAMV11C1P-NK87 | DAMZ11C1P-NK87 | DAMMV11X1P-N | DAMMZ11X1P-N | DAMV11X1P-NNMB | DAMZ11X1P-NNMBK52 |
| DA | 3W3 | DAMV3C3P-NK87 | DAMZ3C3P-NK87 | DAMMV3X3P-N | DAMMZ3X3P-N | DAMV3X3P-NNMB | DAMZ3X3P-NNMBK52 |
| DA | 3WK3 | DAMV3CK3P-NK87 | DAMZ3CK3P-NK87 | DAMMV3XK3P-N | DAMMZ3XK3P-N | DAMV3XK3P-NNMB | DAMZ3XK3P-NNMBK52 |
| DB | 5W5 | DBMV5C5P-NK87 | DBMZ5C5P-NK87 | DBMMV5X5P-N | DBMMZ5X5P-N | DBMV5X5P-NNMB | DBMZ5X5P-NNMBK52 |
| DB | 9W4 | DBMV9C4P-NK87 | DBMZ9C4P-NK87 | DBMMV9X4P-N | DBMMZ9X4P-N | DBMV9X4P-NNMB | DBMZ9X4P-NNMBK52 |
| DB | 13W3 | DBMV13C3P-NK87 | DBMZ13C3P-NK87 | DBMMV13X3P-N | DBMMZ13X3P-N | DBMV13X3P-NNMB | DBMZ13X3P-NNMBK52 |
| DB | 17W2 | DBMV17C2P-NK87 | DBMZ17C2P-NK87 | DBMMV17X2P-N | DBMMZ17X2P-N | DBMV17X2P-NNMB | DBMZ17X2P-NNMBK52 |
| DB | 21W1 | DBMV21C1P-NK87 | DBMZ21C1P-NK87 | DBMMV21X1P-N | DBMMZ21X1P-N | DBMV21X1P-NNMB | DBMZ21X1P-NNMBK52 |
| DC | 8W8 | DCMV8C8P-NK87 | DCMZ8C8P-NK87 | DCMMV8X8P-N | DCMMZ8X8P-N | DCMV8X8P-NNMB | DCMZ8X8P-NNMBK52 |
| DC | 13W6 | DCMV13C6P-NK87 | DCMZ13C6P-NK87 | DCMMV13X6P-N | DCMMZ13X6P-N | DCMV13X6P-NNMB | DCMZ13X6P-NNMBK52 |
| DC | 17W5 | DCMV17C5P-NK87 | DCMZ17C5P-NK87 | DCMMV17X5P-N | DCMMZ17X5P-N | DCMV17X5P-NNMB | DCMZ17X5P-NNMBK52 |
| DC | 21WA4 | DCMV21CA4P-NK87 | DCMZ21CA4P-NK87 | DCMMV21XA4P-N | DCMMZ21XA4P-N | DCMV21XA4P-NNMB | DCMZ21XA4P-NNMBK52 |
| DC | 25W3 | DCMV25C3P-NK87 | DCMZ25C3P-NK87 | DCMMV25X3P-N | DCMMZ25X3P-N | DCMV25X3P-NNMB | DCMZ25X3P-NNMBK52 |
| DC | 27W2 | DCMV27C2P-NK87 | DCMZ27C2P-NK87 | DCMMV27X2P-N | DCMMZ27X2P-N | DCMV27X2P-NNMB | DCMZ27X2P-NNMBK52 |
| DD | 24W7 | DDMV24C7P-NK87 | DDMZ24C7P-NK87 | DDMMV24X7P-N | DDMMZ24X7P-N | DDMV24X7P-NNMB | DDMZ24X7P-NNMBK52 |
| DD | 36W4 | DDMV36C4P-NK87 | DDMZ36C4P-NK87 | DDMMV36X4P-N | DDMMZ36X4P-N | DDMV36X4P-NNMB | DDMZ36X4P-NNMBK52 |
| DD | 43W2 | DDMV43C2P-NK87 | DDMZ43C2P-NK87 | DDMMV43X2P-N | DDMMZ43X2P-N | DDMV43X2P-NNMB | DDMZ43X2P-NNMBK52 |
| DD | 47W1 | DDMV47C1P-NK87 | DDMZ47C1P-NK87 | DDMMV47X1P-N | DDMMZ47X1P-N | DDMV47X1P-NNMB | DDMZ47X1P-NNMBK52 |

* For 50 ohm coaxial inserts replace C with X, e.g.:DDMZ43C2P-N becomes DDMZ43X2P-N. For M-3 and other hardware options, see part number designator, page 7.

*** Hardware Modifier not allowed with Non Magnetic/ Low Outgassing Combo-D- Contact factory for more information

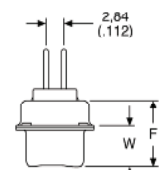
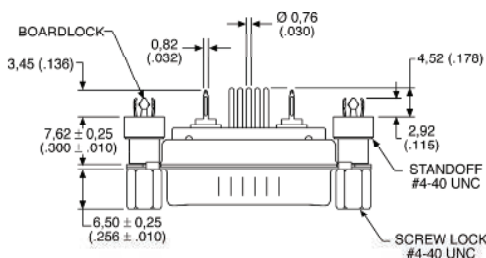
Plug



Screw lock, boardlock, and signal contacts removed for clarity

For contact cavity arrangements, see page 61.

- For pcb hole pattern, see pages 76-78.
- For mounting methods, see pages 59-60.



Screw lock, boardlock, and coaxial contact removed for clarity

Dimensions

| Shell size | A ± 0,38 (.015) | B ± 0,13 (.005) | C ± 0,13 (.005) | D ± 0,13 (.005) | E ± 0,38 (.015) | F ± 0,25 (.010) | W ± 0,368 (.0145) | W ± 0,41 (.016) | L ± 0,25 (.010) |
|------------|--------------------|--------------------|--------------------|--------------------|--------------------|--------------------|----------------------|--------------------|--------------------|
| DE | 30,81 (1.213) | 16,92 (.665) | 24,99 (.984) | 8,36 (.329) | 12,55 (.494) | 10,72 (.422) | 6,693 (.2635) | — | 0,76 (.030) |
| DA | 39,14 (1.541) | 25,25 (.994) | 33,32 (1.312) | 8,36 (.329) | 12,55 (.494) | 10,72 (.422) | 6,693 (.2635) | — | 0,76 (.030) |
| DB | 53,04 (2.088) | 38,96 (1.534) | 47,04 (1.852) | 8,36 (.329) | 12,55 (.494) | 10,82 (.426) | — | 6,84 (.269) | 0,99 (.039) |
| DC | 69,32 (2.729) | 55,42 (2.182) | 63,50 (2.500) | 8,36 (.329) | 12,55 (.494) | 10,82 (.426) | — | 6,84 (.269) | 0,99 (.039) |
| DD | 66,93 (2.635) | 52,81 (2.079) | 61,11 (2.406) | 11,07 (.436) | 15,37 (.605) | 10,82 (.426) | 6,84 (.269) | 0,99 (.039) | — |



Dimensions shown in mm
Specifications and dimensions subject to change

www.ittcannon.com

Coaxial straight PCB Receptacle, sizes DE – DD

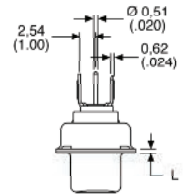
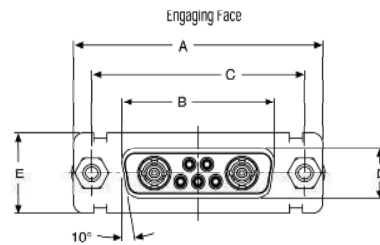
75 Ohm* coax inserted with straight contacts
and standoff with UNC 4-40 thread

| Shell size | Layout | 75 OHM INDUSTRIAL | | 50 OHM MILITARY/HI-REL | | 50 OHM NON-MAGNETIC/LOW OUTGASSING*** | |
|------------|--------|-----------------------|--------------------|------------------------|------------------------|---------------------------------------|-----------------------|
| | | P/N without Boardlock | P/N with Boardlock | P/N without Boardlock | P/N with UNC Boardlock | P/N with Cadmium Plating | P/N with Gold Plating |
| DE | 2W2 | DEM2C2S-NA197 | DEM2C2S-NA197 | DEMMV2X2S-N | DEMMZ2X2S-N | DEM2X2S-NNMB | DEM2X2S-NNMBK52 |
| DE | 2WK2 | DEM2C2K2S-NA197 | DEM2C2K2S-NA197 | DEMMV2XK2S-N | DEMMZ2XK2S-N | DEM2XK2S-NNMB | DEM2XK2S-NNMBK52 |
| DE | 5W1 | DEM5C1S-NA197 | DEM5C1S-NA197 | DEMMV5X1S-N | DEMMZ5X1S-N | DEM5X1S-NNMB | DEM5X1S-NNMBK52 |
| DA | 7W2 | DAMV7C2S-NA197 | DAMZ7C2S-NA197 | DAMMV7X2S-N | DAMMZ7X2S-N | DAM7X2S-NNMB | DAM7X2S-NNMBK52 |
| DA | 11W1 | DAMV11C1S-NA197 | DAMZ11C1S-NA197 | DAMMV11X1S-N | DAMMZ11X1S-N | DAM11X1S-NNMB | DAM11X1S-NNMBK52 |
| DA | 3W3 | DAMV3C3S-NA197 | DAMZ3C3S-NA197 | DAMMV3X3S-N | DAMMZ3X3S-N | DAM3X3S-NNMB | DAM3X3S-NNMBK52 |
| DA | 3WK3 | DAMV3CK3S-NA197 | DAMZ3CK3S-NA197 | DAMMV3XK3S-N | DAMMZ3XK3S-N | DAM3XK3S-NNMB | DAM3XK3S-NNMBK52 |
| DB | 5W5 | DBMV5C5S-NA197 | DBMZ5C5S-NA197 | DBMMV5X5S-N | DBMMZ5X5S-N | DBM5X5S-NNMB | DBM5X5S-NNMBK52 |
| DB | 9W4 | DBMV9C4S-NA197 | DBMZ9C4S-NA197 | DBMMV9X4S-N | DBMMZ9X4S-N | DBM9X4S-NNMB | DBM9X4S-NNMBK52 |
| DB | 13W3 | DBMV13C3S-NA197 | DBMZ13C3S-NA197 | DBMMV13X3S-N | DBMMZ13X3S-N | DBM13X3S-NNMB | DBM13X3S-NNMBK52 |
| DB | 17W2 | DBMV17C2S-NA197 | DBMZ17C2S-NA197 | DBMMV17X2S-N | DBMMZ17X2S-N | DBM17X2S-NNMB | DBM17X2S-NNMBK52 |
| DB | 21W1 | DBMV21C1S-NA197 | DBMZ21C1S-NA197 | DBMMV21X1S-N | DBMMZ21X1S-N | DBM21X1S-NNMB | DBM21X1S-NNMBK52 |
| DC | 8W8 | DCMV8C8S-NA197 | DCMZ8C8S-NA197 | DCMMV8X8S-N | DCMMZ8X8S-N | DCM8X8S-NNMB | DCM8X8S-NNMBK52 |
| DC | 13W6 | DCMV13C6S-NA197 | DCMZ13C6S-NA197 | DCMMV13X6S-N | DCMMZ13X6S-N | DCM13X6S-NNMB | DCM13X6S-NNMBK52 |
| DC | 17W5 | DCMV17C5S-NA197 | DCMZ17C5S-NA197 | DCMMV17X5S-N | DCMMZ17X5S-N | DCM17X5S-NNMB | DCM17X5S-NNMBK52 |
| DC | 21WA4 | DCMV21CA4S-NA197 | DCMZ21CA4S-NA197 | DCMMV21XA4S-N | DCMMZ21XA4S-N | DCM21XA4S-NNMB | DCM21XA4S-NNMBK52 |
| DC | 25W3 | DCMV25C3S-NA197 | DCMZ25C3S-NA197 | DCMMV25X3S-N | DCMMZ25X3S-N | DCM25X3S-NNMB | DCM25X3S-NNMBK52 |
| DC | 27W2 | DCMV27C2S-NA197 | DCMZ27C2S-NA197 | DCMMV27X2S-N | DCMMZ27X2S-N | DCM27X2S-NNMB | DCM27X2S-NNMBK52 |
| DD | 24W7 | DDMV24C7S-NA197 | DDMZ24C7S-NA197 | DDMMV24X7S-N | DDMMZ24X7S-N | DDM24X7S-NNMB | DDM24X7S-NNMBK52 |
| DD | 36W4 | DDMV36C4S-NA197 | DDMZ36C4S-NA197 | DDMMV36X4S-N | DDMMZ36X4S-N | DDM36X4S-NNMB | DDM36X4S-NNMBK52 |
| DD | 43W2 | DDMV43C2S-NA197 | DDMZ43C2S-NA197 | DDMMV43X2S-N | DDMMZ43X2S-N | DDM43X2S-NNMB | DDM43X2S-NNMBK52 |
| DD | 47W1 | DDMV47C1S-NA197 | DDMZ47C1S-NA197 | DDMMV47X1S-N | DDMMZ47X1S-N | DDM47X1S-NNMB | DDM47X1S-NNMBK52 |

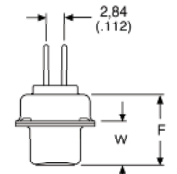
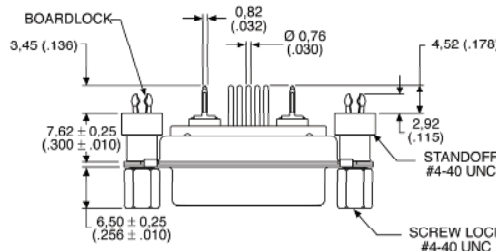
* For 50 ohm coaxial inserts replace C with X, e.g.:DDMZ43C2S-N becomes DDMZ43X2S-J. **For M-3 and other hardware options, see part number designator, page 7.

*** Hardware Modifier not allowed with Non Magnetic/ Low Outgassing Combo-D- Contact factory for more information

Receptacle



Hardware and signal contacts removed for clarity



Hardware and coaxial contact removed for clarity

- For contact cavity arrangements, see page 62.
- For pcb hole pattern, see pages 79-81.
- For mounting methods, see pages 59-60.

Dimensions

| Shell size | A ± 0,38 (.015) | B ± 0,13 (.005) | C ± 0,13 (.005) | D ± 0,13 (.005) | E ± 0,38 (.015) | F ± 0,25 (.010) | W ± 0,38 (.015) | L ± 0,25 (.010) |
|------------|--------------------|--------------------|--------------------|--------------------|--------------------|--------------------|--------------------|--------------------|
| DE | 30,81 (1.213) | 16,33 (.643) | 24,99 (.984) | 7,90 (.311) | 12,55 (.494) | 10,90 (.429) | 6,94 (.273) | 0,76 (.030) |
| DA | 39,14 (1.541) | 24,65 (.971) | 33,32 (1.312) | 7,90 (.311) | 12,55 (.494) | 10,90 (.429) | 6,94 (.273) | 0,76 (.030) |
| DB | 53,04 (2.088) | 38,38 (1.511) | 47,04 (1.852) | 7,90 (.311) | 12,55 (.494) | 10,90 (.429) | 6,94 (.273) | 0,76 (.030) |
| DC | 69,32 (2.729) | 54,84 (2.159) | 63,50 (2.500) | 7,90 (.311) | 12,55 (.494) | 10,90 (.429) | 6,94 (.273) | 0,76 (.030) |
| DD | 66,93 (2.635) | 52,42 (2.064) | 61,11 (2.406) | 10,74 (.423) | 15,37 (.605) | 10,90 (.429) | 6,94 (.273) | 0,76 (.030) |

Dimensions shown in mm
Specifications and dimensions subject to change

www.ittcannon.com



Coaxial straight- European solder pins, sizes DE – DD

75 Ohm* coax inserted with straight contacts

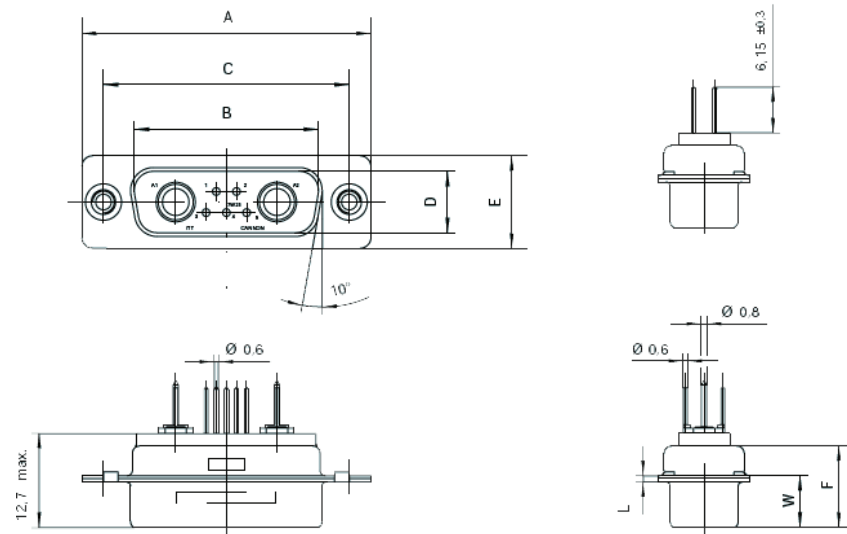
| Shell | Layout | with standoff M3 with pushfit | with standoff M3 with pushfit | standoff, M3 post and | with M3 clinch nut | with through hole 3,05 mm |
|-------|--------|-------------------------------|-------------------------------|--------------------------|--------------------------|---------------------------|
| DE | 2W2 | DEMT-2C2P-OL4-A191-K87 | DEMQ-2C2P-OL4-A191-K87 | DEMU-2C2P-OL4-A191-K87 | DEMX-2C2P-OL4-A191-K87 | DEM-2C2P-OL4-A191-K87 |
| DE | 2WK2 | DEMT-2CK2P-OL4-A191-K87 | DEMQ-2CK2P-OL4-A191-K87 | DEMU-2CK2P-OL4-A191-K87 | DEMX-2CK2P-OL4-A191-K87 | DEM-2CK2P-OL4-A191-K87 |
| DE | 5W1 | DEMT-5C1P-OL4-A191-K87 | DEMQ-5C1P-OL4-A191-K87 | DEMU-5C1P-OL4-A191-K87 | DEMX-5C1P-OL4-A191-K87 | DEM-5C1P-OL4-A191-K87 |
| DA | 7W2 | DAMT-7C2P-OL4-A191-K87 | DAMQ-7C2P-OL4-A191-K87 | DAMU-7C2P-OL4-A191-K87 | DAMX-7C2P-OL4-A191-K87 | DAM-7C2P-OL4-A191-K87 |
| DA | 11W1 | DAMT-11C1P-OL4-A191-K87 | DAMQ-11C1P-OL4-A191-K87 | DAMU-11C1P-OL4-A191-K87 | DAMX-11C1P-OL4-A191-K87 | DAM-11C1P-OL4-A191-K87 |
| DA | 3W3 | DAMT-3C3P-OL4-A191-K87 | DAMQ-3C3P-OL4-A191-K87 | DAMU-3C3P-OL4-A191-K87 | DAMX-3C3P-OL4-A191-K87 | DAM-3C3P-OL4-A191-K87 |
| DA | 3WK3 | DAMT-3CK3P-OL4-A191-K87 | DAMQ-3CK3P-OL4-A191-K87 | DAMU-3CK3P-OL4-A191-K87 | DAMX-3CK3P-OL4-A191-K87 | DAM-3CK3P-OL4-A191-K87 |
| DB | 5W5 | DBMT-5C5P-OL4-A191-K87 | DBMQ-5C5P-OL4-A191-K87 | DBMU-5C5P-OL4-A191-K87 | DBMX-5C5P-OL4-A191-K87 | DBM-5C5P-OL4-A191-K87 |
| DB | 9W4 | DBMT-9C4P-OL4-A191-K87 | DBMQ-9C4P-OL4-A191-K87 | DBMU-9C4P-OL4-A191-K87 | DBMX-9C4P-OL4-A191-K87 | DBM-9C4P-OL4-A191-K87 |
| DB | 13W3 | DBMT-13C3P-OL4-A191-K87 | DBMQ-13C3P-OL4-A191-K87 | DBMU-13C3P-OL4-A191-K87 | DBMX-13C3P-OL4-A191-K87 | DBM-13C3P-OL4-A191-K87 |
| DB | 17W2 | DBMT-17C2P-OL4-A191-K87 | DBMQ-17C2P-OL4-A191-K87 | DBMU-17C2P-OL4-A191-K87 | DBMX-17C2P-OL4-A191-K87 | DBM-17C2P-OL4-A191-K87 |
| DB | 21W1 | DBMT-21C1P-OL4-A191-K87 | DBMQ-21C1P-OL4-A191-K87 | DBMU-21C1P-OL4-A191-K87 | DBMX-21C1P-OL4-A191-K87 | DBM-21C1P-OL4-A191-K87 |
| DC | 8W8 | DCMT-8C8P-OL4-A191-K87 | DCMQ-8C8P-OL4-A191-K87 | DCMU-8C8P-OL4-A191-K87 | DCMX-8C8P-OL4-A191-K87 | DCM-8C8P-OL4-A191-K87 |
| DC | 13W6 | DCMT-13C6P-OL4-A191-K87 | DCMQ-13C6P-OL4-A191-K87 | DCMU-13C6P-OL4-A191-K87 | DCMX-13C6P-OL4-A191-K87 | DCM-13C6P-OL4-A191-K87 |
| DC | 17W5 | DCMT-17C5P-OL4-A191-K87 | DCMQ-17C5P-OL4-A191-K87 | DCMU-17C5P-OL4-A191-K87 | DCMX-17C5P-OL4-A191-K87 | DCM-17C5P-OL4-A191-K87 |
| DC | 21WA4 | DCMT-21CA4P-OL4-A191-K87 | DCMQ-21CA4P-OL4-A191-K87 | DCMU-21CA4P-OL4-A191-K87 | DCMX-21CA4P-OL4-A191-K87 | DCM-21CA4P-OL4-A191-K87 |
| DC | 25W3 | DCMT-25C3P-OL4-A191-K87 | DCMQ-25C3P-OL4-A191-K87 | DCMU-25C3P-OL4-A191-K87 | DCMX-25C3P-OL4-A191-K87 | DCM-25C3P-OL4-A191-K87 |
| DC | 27W2 | DCMT-27C2P-OL4-A191-K87 | DCMQ-27C2P-OL4-A191-K87 | DCMU-27C2P-OL4-A191-K87 | DCMX-27C2P-OL4-A191-K87 | DCM-27C2P-OL4-A191-K87 |
| DD | 24W7 | DDMT-24C7P-OL4-A191-K87 | DDMQ-24C7P-OL4-A191-K87 | DDMU-24C7P-OL4-A191-K87 | DDMX-24C7P-OL4-A191-K87 | DDM-24C7P-OL4-A191-K87 |
| DD | 36W4 | DDMT-36C4P-OL4-A191-K87 | DDMQ-36C4P-OL4-A191-K87 | DDMU-36C4P-OL4-A191-K87 | DDMX-36C4P-OL4-A191-K87 | DDM-36C4P-OL4-A191-K87 |
| DD | 43W2 | DDMT-43C2P-OL4-A191-K87 | DDMQ-43C2P-OL4-A191-K87 | DDMU-43C2P-OL4-A191-K87 | DDMX-43C2P-OL4-A191-K87 | DDM-43C2P-OL4-A191-K87 |
| DD | 47W1 | DDMT-47C1P-OL4-A191-K87 | DDMQ-47C1P-OL4-A191-K87 | DDMU-47C1P-OL4-A191-K87 | DDMX-47C1P-OL4-A191-K87 | DDM-47C1P-OL4-A191-K87 |

For performance class 1 replace A191 with A190.
For Performance class 3 delete A191.

For 50 ohm coaxial replace C with X, Example:
DCM-13C6P-A191-K87-146 becomes
DCM-13X6P-A191-K87-146.

For 3,0 mm pushfit please add -146 modifier;
For 3,2 mm pushfit please add -162 modifier.

Plug



- For contact cavity arrangements, see page 61.
- For pcb hole pattern, see pages 76-78.
- For mounting methods, see pages 59-60.

Dimensions

| Shell size | A ± 0,38 (.015) | B ± 0,13 (.005) | C ± 0,13 (.005) | D ± 0,13 (.005) | E ± 0,38 (.015) | F ± 0,25 (.010) | L ± 0,2 (.008) | W ± 0,41 (.016) |
|------------|-----------------|-----------------|-----------------|-----------------|-----------------|-----------------|----------------|-----------------|
| DE | 30,8 (1.213) | 16,9 (.665) | 25 (.984) | 8,35 (.329) | 12,55 (.494) | 10,70 (.421) | 0,8 (.031) | 6,7 (.264) |
| DA | 39,15 (1.541) | 25,25 (.994) | 33,3 (1.311) | 8,35 (.329) | 12,55 (.494) | 10,70 (.421) | 0,8 (.031) | 6,7 (.264) |
| DB | 53,05 (2.089) | 38,95 (1.533) | 47,05 (1.852) | 8,35 (.329) | 12,55 (.494) | 10,80 (.425) | 0,8 (.031) | 6,8 (.268) |
| DC | 69,3 (2.089) | 55,4 (2.181) | 63,50 (2.500) | 8,35 (.329) | 12,55 (.494) | 10,80 (.425) | 0,9 (.035) | 6,8 (.268) |
| DD | 66,95 (2.636) | 52,8 (2.079) | 61,11 (2.406) | 11,1 (.437) | 15,4 (.606) | 10,80 (.425) | 0,9 (.035) | 6,85 (.270) |



Dimensions shown in mm
Specifications and dimensions subject to change

www.ittcannon.com

Coaxial straight- European solder socket, sizes DE – DD

75 Ohm* coax inserted with straight contacts

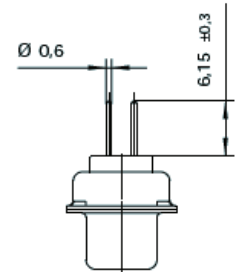
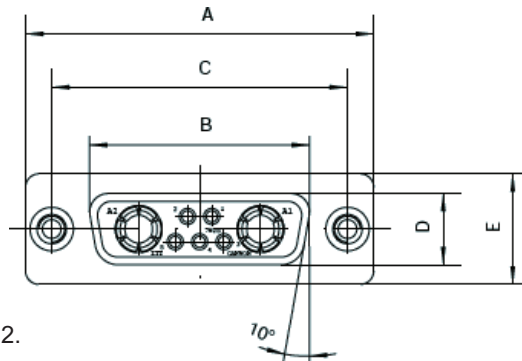
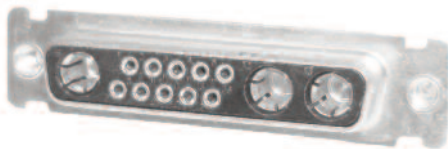
| Shell | Layout | with standoff M3 pushfit | with standoff M3 with pushfit | standoff, M3 post and | with M3 clinch nut | with through hole 3,05 mm |
|-------|--------|---------------------------|-------------------------------|---------------------------|---------------------------|---------------------------|
| DE | 2W2 | DEMT-2C2S-OL4-A191-A197 | DEMQ-2C2S-OL4-A191-A197 | DEMU-2C2S-OL4-A191-A197 | DEMX-2C2S-OL4-A191-A197 | DEM-2C2S-OL4-A191-A197 |
| DE | 2WK2 | DEMT-2CK2S-OL4-A191-A197 | DEMQ-2CK2S-OL4-A191-A197 | DEMU-2CK2S-OL4-A191-A197 | DEMX-2CK2S-OL4-A191-A197 | DEM-2CK2S-OL4-A191-A197 |
| DE | 5W1 | DEMT-5C1S-OL4-A191-A197 | DEMQ-5C1S-OL4-A191-A197 | DEMU-5C1S-OL4-A191-A197 | DEMX-5C1S-OL4-A191-A197 | DEM-5C1S-OL4-A191-A197 |
| DA | 7W2 | DAMT-7C2S-OL4-A191-A197 | DAMQ-7C2S-OL4-A191-A197 | DAMU-7C2S-OL4-A191-A197 | DAMX-7C2S-OL4-A191-A197 | DAM-7C2S-OL4-A191-A197 |
| DA | 11W1 | DAMT-11C1S-OL4-A191-A197 | DAMQ-11C1S-OL4-A191-A197 | DAMU-11C1S-OL4-A191-A197 | DAMX-11C1S-OL4-A191-A197 | DAM-11C1S-OL4-A191-A197 |
| DA | 3W3 | DAMT-3C3S-OL4-A191-A197 | DAMQ-3C3S-OL4-A191-A197 | DAMU-3C3S-OL4-A191-A197 | DAMX-3C3S-OL4-A191-A197 | DAM-3C3S-OL4-A191-A197 |
| DA | 3WK3 | DAMT-3CK3S-OL4-A191-A197 | DAMQ-3CK3S-OL4-A191-A197 | DAMU-3CK3S-OL4-A191-A197 | DAMX-3CK3S-OL4-A191-A197 | DAM-3CK3S-OL4-A191-A197 |
| DB | 5W5 | DBMT-5C5S-OL4-A191-A197 | DBMQ-5C5S-OL4-A191-A197 | DBMU-5C5S-OL4-A191-A197 | DBMX-5C5S-OL4-A191-A197 | DBM-5C5S-OL4-A191-A197 |
| DB | 9W4 | DBMT-9C4S-OL4-A191-A197 | DBMQ-9C4S-OL4-A191-A197 | DBMU-9C4S-OL4-A191-A197 | DBMX-9C4S-OL4-A191-A197 | DBM-9C4S-OL4-A191-A197 |
| DB | 13W3 | DBMT-13C3S-OL4-A191-A197 | DBMQ-13C3S-OL4-A191-A197 | DBMU-13C3S-OL4-A191-A197 | DBMX-13C3S-OL4-A191-A197 | DBM-13C3S-OL4-A191-A197 |
| DB | 17W2 | DBMT-17C2S-OL4-A191-A197 | DBMQ-17C2S-OL4-A191-A197 | DBMU-17C2S-OL4-A191-A197 | DBMX-17C2S-OL4-A191-A197 | DBM-17C2S-OL4-A191-A197 |
| DB | 21W1 | DBMT-21C1S-OL4-A191-A197 | DBMQ-21C1S-OL4-A191-A197 | DBMU-21C1S-OL4-A191-A197 | DBMX-21C1S-OL4-A191-A197 | DBM-21C1S-OL4-A191-A197 |
| DC | 8W8 | DCMT-8C8S-OL4-A191-A197 | DCMQ-8C8S-OL4-A191-A197 | DCMU-8C8S-OL4-A191-A197 | DCMX-8C8S-OL4-A191-A197 | DCM-8C8S-OL4-A191-A197 |
| DC | 13W6 | DCMT-13C6S-OL4-A191-A197 | DCMQ-13C6S-OL4-A191-A197 | DCMU-13C6S-OL4-A191-A197 | DCMX-13C6S-OL4-A191-A197 | DCM-13C6S-OL4-A191-A197 |
| DC | 17W5 | DCMT-17C5S-OL4-A191-A197 | DCMQ-17C5S-OL4-A191-A197 | DCMU-17C5S-OL4-A191-A197 | DCMX-17C5S-OL4-A191-A197 | DCM-17C5S-OL4-A191-A197 |
| DC | 21WA4 | DCMT-21CA4S-OL4-A191-A197 | DCMQ-21CA4S-OL4-A191-A197 | DCMU-21CA4S-OL4-A191-A197 | DCMX-21CA4S-OL4-A191-A197 | DCM-21CA4S-OL4-A191-A197 |
| DC | 25W3 | DCMT-25C3S-OL4-A191-A197 | DCMQ-25C3S-OL4-A191-A197 | DCMU-25C3S-OL4-A191-A197 | DCMX-25C3S-OL4-A191-A197 | DCM-25C3S-OL4-A191-A197 |
| DC | 27W2 | DCMT-27C2S-OL4-A191-A197 | DCMQ-27C2S-OL4-A191-A197 | DCMU-27C2S-OL4-A191-A197 | DCMX-27C2S-OL4-A191-A197 | DCM-27C2S-OL4-A191-A197 |
| DD | 24W7 | DDMT-24C7S-OL4-A191-A197 | DDMQ-24C7S-OL4-A191-A197 | DDMU-24C7S-OL4-A191-A197 | DDMX-24C7S-OL4-A191-A197 | DDM-24C7S-OL4-A191-A197 |
| DD | 36W4 | DDMT-36C4S-OL4-A191-A197 | DDMQ-36C4S-OL4-A191-A197 | DDMU-36C4S-OL4-A191-A197 | DDMX-36C4S-OL4-A191-A197 | DDM-36C4S-OL4-A191-A197 |
| DD | 43W2 | DDMT-43C2S-OL4-A191-A197 | DDMQ-43C2S-OL4-A191-A197 | DDMU-43C2S-OL4-A191-A197 | DDMX-43C2S-OL4-A191-A197 | DDM-43C2S-OL4-A191-A197 |
| DD | 47W1 | DDMT-47C1S-OL4-A191-A197 | DDMQ-47C1S-OL4-A191-A197 | DDMU-47C1S-OL4-A191-A197 | DDMX-47C1S-OL4-A191-A197 | DDM-47C1S-OL4-A191-A197 |

For performance class 1 replace A191 with A190.
For Performance class 3 delete A191.

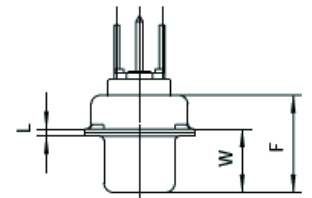
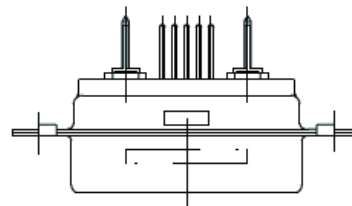
For 50 ohm coaxial replace C with X, Example:
DCM-13C6S-A191-A197-146 becomes
DCM-13X6S-A191-A197-146.

For 3,0 mm pushfit please add -142 modifier;
For 3,2 mm pushfit please add -162 modifier.

Receptacle



- For contact cavity arrangements, see page 62.
- For pcb hole pattern, see pages 79-81.
- For mounting methods, see pages 59-60.



Dimensions

| Shell size | A ± 0,38 (.015) | B ± 0,13 (.005) | C ± 0,13 (.005) | D ± 0,13 (.005) | E ± 0,38 (.015) | F ± 0,25 (.010) | L ± 0,2 (.008) | W ± 0,41 (.016) |
|------------|-----------------|-----------------|-----------------|-----------------|-----------------|-----------------|----------------|-----------------|
| DE | 30,8 (1.213) | 16,35 (.644) | 25 (.984) | 7,9 (.311) | 12,55 (.494) | 10,90 (.429) | 0,8 (.031) | 6,95 (.274) |
| DA | 39,15 (1.541) | 24,65 (.970) | 33,3 (1.311) | 7,9 (.311) | 12,55 (.494) | 10,90 (.429) | 0,8 (.031) | 6,95 (.274) |
| DB | 53,05 (2.089) | 38,4 (1.512) | 47,05 (1.852) | 7,9 (.311) | 12,55 (.494) | 10,90 (.429) | 0,8 (.031) | 6,95 (.274) |
| DC | 69,3 (2.089) | 55,85 (2.159) | 63,50 (2.500) | 7,9 (.311) | 12,55 (.494) | 10,90 (.429) | 0,8 (.031) | 6,95 (.274) |
| DD | 66,95 (2.636) | 52,4 (2.063) | 61,11 (2.406) | 10,75 (.423) | 15,4 (.606) | 10,90 (.429) | 0,8 (.031) | 6,95 (.274) |

Dimensions shown in mm
Specifications and dimensions subject to change

www.ittcannon.com

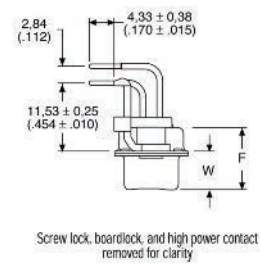
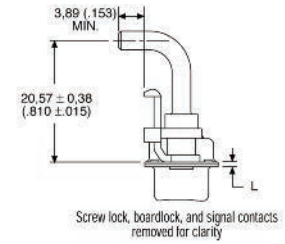
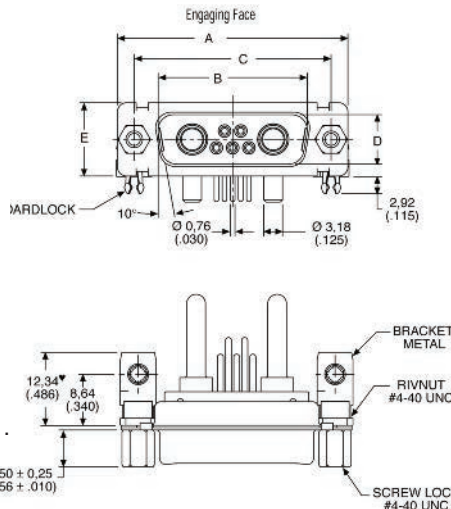


40 A High power 90° PCB Plug, sizes DE – DC, with metal bracket

| Shell size | Layout | INDUSTRIAL – US 40 A High power inserted with US footprint metal bracket and UNC 4-40 captive nut | | INDUSTRIAL – EU 40 A High power inserted with EU footprint metal bracket and UNC 4-40 captive nut | | MILITARY/HI-REL – US 40 A High power inserted with US footprint metal bracket and UNC 4-40 screw lock | | NON-MAGNETIC/LOW OUTGASSING – US* 40 A High power inserted with US footprint metal bracket and UNC 4-40 screw lock | |
|------------|--------|--|--------------------|--|--------------------|--|--------------------|---|-----------------------|
| | | P/N without boardlock | P/N with boardlock | P/N without boardlock | P/N with boardlock | P/N without boardlock | P/N with boardlock | P/N with Cadmium Plating | P/N with Gold Plating |
| DE | 2W2 | DEMP2H2P-JK87 | DEMC2H2P-JK87 | DEMP2P2P-VK87 | DEMC2PK2P-VK87 | DEMMP2H2P-J | DEMCC2H2P-J | DEM2H2P-JNMB | DEM2H2P-JNMBK52 |
| DE | 2WK2 | DEMP2HK2P-JK87 | DEMC2HK2P-JK87 | DEMP2PK2P-VK87 | DEMC2PK2P-VK87 | DEMMP2HK2P-J | DEMCC2HK2P-J | DEM2HK2P-JNMB | DEM2HK2P-JNMBK52 |
| DE | 5W1 | DEMP5H1P-JK87 | DEMC5H1P-JK87 | DEMP5P1P-VK87 | DEMC5P1P-VK87 | DEMMP5H1P-J | DEMCC5H1P-J | DEM5H1P-JNMB | DEM5H1P-JNMBK52 |
| DA | 7W2 | DAMP7H2P-JK87 | DAMC7H2P-JK87 | DAMP7P2P-VK87 | DAMC7P2P-VK87 | DAMMP7H2P-J | DAMCC7H2P-J | DAM7H2P-JNMB | DAM7H2P-JNMBK52 |
| DA | 11W1 | DAMP11H1P-JK87 | DAMC11H1P-JK87 | DAMP11P1P-VK87 | DAMC11P1P-VK87 | DAMMP11H1P-J | DAMCC11H1P-J | DAM11H1P-JNMB | DAM11H1P-JNMBK52 |
| DA | 3W3 | DAMP3H3P-JK87 | DAMC3H3P-JK87 | DAMP3P3P-VK87 | DAMC3P3P-VK87 | DAMMP3H3P-J | DAMCC3H3P-J | DAM3H3P-JNMB | DAM3H3P-JNMBK52 |
| DA | 3WK3 | DAMP3HK3P-JK87 | DAMC3HK3P-JK87 | DAMP3PK3P-VK87 | DAMC3PK3P-VK87 | DAMMP3HK3P-J | DAMCC3HK3P-J | DAM3HK3P-JNMB | DAM3HK3P-JNMBK52 |
| DB | 5W5 | DBMP5H5P-JK87 | DBMC5H5P-JK87 | DBMP5P5P-VK87 | DBMC5P5P-VK87 | DBMMP5H5P-J | DBMCC5H5P-J | DBM5H5P-JNMB | DBM5H5P-JNMBK52 |
| DB | 9W4 | DBMP9H4P-JK87 | DBMC9H4P-JK87 | DBMP9P4P-VK87 | DBMC9P4P-VK87 | DBMMP9H4P-J | DBMCC9H4P-J | DBM9H4P-JNMB | DBM9H4P-JNMBK52 |
| DB | 13W3 | DBMP13H3P-JK87 | DBMC13H3P-JK87 | DBMP13P3P-VK87 | DBMC13P3P-VK87 | DBMMP13H3P-J | DBMCC13H3P-J | DBM13H3P-JNMB | DBM13H3P-JNMBK52 |
| DB | 17W2 | DBMP17H2P-JK87 | DBMC17H2P-JK87 | DBMP17P2P-VK87 | DBMC17P2P-VK87 | DBMMP17H2P-J | DBMCC17H2P-J | DBM17H2P-JNMB | DBM17H2P-JNMBK52 |
| DB | 21W1 | DBMP21H1P-JK87 | DBMC21H1P-JK87 | DBMP21P1P-VK87 | DBMC21P1P-VK87 | DBMMP21H1P-J | DBMCC21H1P-J | DBM21H1P-JNMB | DBM21H1P-JNMBK52 |
| DC | 8W8 | DCMP8H8P-JK87 | DCMC8H8P-JK87 | DCMP8P8P-VK87 | DCMC8P8P-VK87 | DCMMP8H8P-J | DCMCC8H8P-J | DCM8H8P-JNMB | DCM8H8P-JNMBK52 |
| DC | 13W6 | DCMP13H6P-JK87 | DCMC13H6P-JK87 | DCMP13P6P-VK87 | DCMC13P6P-VK87 | DCMMP13H6P-J | DCMCC13H6P-J | DCM13H6P-JNMB | DCM13H6P-JNMBK52 |
| DC | 17W5 | DCMP17H5P-JK87 | DCMC17H5P-JK87 | DCMP17P5P-VK87 | DCMC17P5P-VK87 | DCMMP17H5P-J | DCMCC17H5P-J | DCM17H5P-JNMB | DCM17H5P-JNMBK52 |
| DC | 21WA4 | DCMP21HA4P-JK87 | DCMC21HA4P-JK87 | DCMP21PA4P-VK87 | DCMC21PA4P-VK87 | DCMMP21HA4P-J | DCMCC21HA4P-J | DCM21HA4P-JNMB | DCM21HA4P-JNMBK52 |
| DC | 25W3 | DCMP25H3P-JK87 | DCMC25H3P-VK87 | DCMP25P3P-VK87 | DCMC25P3P-VK87 | DCMMP25H3P-J | DCMCC25H3P-J | DCM25H3P-JNMB | DCM25H3P-JNMBK52 |
| DC | 27W2 | DCMP27H2P-JK87 | DCMC27H2P-JK87 | DCMP27P2P-VK87 | DCMC27P2P-VK87 | DCMMP27H2P-J | DCMCC27H2P-J | DCM27H2P-JNMB | DCM27H2P-JNMBK52 |

* Hardware Modifier not allowed with Non Magnetic/ Low Outgassing Combo-D-; contact factory for more information

Plug



- For contact cavity arrangements, see page 61.
- For pcb hole pattern, see pages 82-84.
- For mounting methods, see pages 59-60.

US version shown – for EU version, please see readers resource section, page 92-93.

Dimensions

| Shell size | A ± 0,38 (.015) | B ± 0,13 (.005) | C ± 0,13 (.005) | D ± 0,13 (.005) | E ± 0,38 (.015) | F ± 0,25 (.010) | W ± 0,368 (.0145) | W ± 0,41 (.016) | L ± 0,25 (.010) |
|------------|-----------------|-----------------|-----------------|-----------------|-----------------|-----------------|-------------------|-----------------|-----------------|
| DE | 30,81 (1.213) | 16,92 (.665) | 24,99 (.984) | 8,36 (.329) | 12,55 (.494) | 10,72 (.422) | 6,693 (.2635) | — | 0,76 (.030) |
| DA | 39,14 (1.541) | 25,25 (.994) | 33,32 (1.312) | 8,36 (.329) | 12,55 (.494) | 10,72 (.422) | 6,693 (.2635) | — | 0,76 (.030) |
| DB | 53,04 (2.088) | 38,96 (1.534) | 47,04 (1.852) | 8,36 (.329) | 12,55 (.494) | 10,82 (.426) | — | 6,84 (.269) | 0,99 (.039) |
| DC | 69,32 (2.729) | 55,42 (2.182) | 63,50 (2.500) | 8,36 (.329) | 12,55 (.494) | 10,82 (.426) | — | 6,84 (.269) | 0,99 (.039) |



Dimensions shown in mm
Specifications and dimensions subject to change

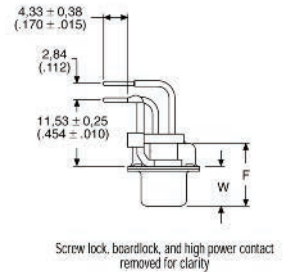
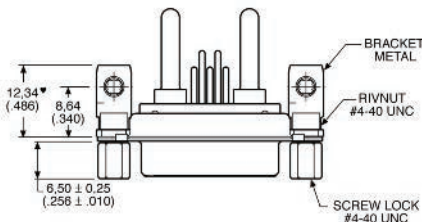
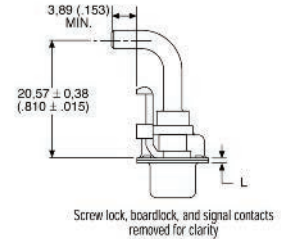
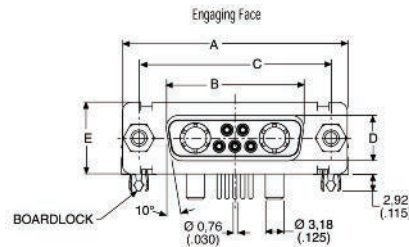
www.ittcannon.com

40 A High power 90° PCB Receptacle, sizes DE – DC, with metal bracket

| Shell size | Layout | INDUSTRIAL – US 40 A High power inserted with US footprint metal bracket and UNC 4-40 captive nut | | INDUSTRIAL – EU 40 A High power inserted with EU footprint metal bracket and UNC 4-40 captive nut | | MILITARY/HI-REL – US 40 A High power inserted with US footprint metal bracket and UNC 4-40 captive nut | | NON-MAGNETIC/LOW OUTGASSING – US* 40 A High power inserted with US footprint metal bracket and UNC 4-40 screw lock | |
|------------|--------|--|--------------------|--|--------------------|---|--------------------|---|-----------------------|
| | | P/N without Boardlock | P/N with Boardlock | P/N without Boardlock | P/N with Boardlock | P/N without Boardlock | P/N with Boardlock | P/N with Cadmium Plating | P/N with Gold Plating |
| DE | 2W2 | DEMP2H2S-VA197 | DEMC2H2S-VA197 | DEMP2P2S-JA197 | DEMC2P2S-JA197 | DEMMP2H2S-V | DEMMC2H2S-V | DEM2H2S-VNMB | DEM2H2S-VNMBK52 |
| DE | 2WK2 | DEMP2HK2S-VA197 | DEMC2HK2S-VA197 | DEMP2PK2S-JA197 | DEMC2PK2S-JA197 | DEMMP2HK2S-V | DEMMC2HK2S-V | DEM2HK2S-VNMB | DEM2HK2S-VNMBK52 |
| DE | 5W1 | DEMP5H1S-VA197 | DEMC5H1S-VA197 | DEMP5P1S-JA197 | DEMC5P1S-JA197 | DEMMP5H1S-V | DEMMC5H1S-V | DEM5H1S-VNMB | DEM5H1S-VNMBK52 |
| DA | 7W2 | DAMP7H2S-VA197 | DAMC7H2S-VA197 | DAMP7P2S-JA197 | DAMC7P2S-JA197 | DAMMP7H2S-V | DAMMC7H2S-V | DAM7H2S-VNMB | DAM7H2S-VNMBK52 |
| DA | 11W1 | DAMP11H1S-VA197 | DAMC11H1S-VA197 | DAMP11P1S-JA197 | DAMC11P1S-JA197 | DAMMP11H1S-V | DAMMC11H1S-V | DAM11H1S-VNMB | DAM11H1S-VNMBK52 |
| DA | 3W3 | DAMP3H3S-VA197 | DAMC3H3S-VA197 | DAMP3P3S-JA197 | DAMC3P3S-JA197 | DAMMP3H3S-V | DAMMC3H3S-V | DAM3H3S-VNMB | DAM3H3S-VNMBK52 |
| DA | 3WK3 | DAMP3HK3S-VA197 | DAMC3HK3S-VA197 | DAMP3PK3S-JA197 | DAMC3PK3S-JA197 | DAMMP3HK3S-V | DAMMC3HK3S-V | DAM3HK3S-VNMB | DAM3HK3S-VNMBK52 |
| DB | 5W5 | DBMP5H5S-VA197 | DBMC5H5S-VA197 | DBMP5P5S-JA197 | DBMC5P5S-JA197 | DBMMP5H5S-V | DBMMC5H5S-V | DBM5H5S-VNMB | DBM5H5S-VNMBK52 |
| DB | 9W4 | DBMP9H4S-VA197 | DBMC9H4S-VA197 | DBMP9P4S-JA197 | DBMC9P4S-JA197 | DBMMP9H4S-V | DBMMC9H4S-V | DBM9H4S-VNMB | DBM9H4S-VNMBK52 |
| DB | 13W3 | DBMP13H3S-VA197 | DBMC13H3S-VA197 | DBMP13P3S-JA197 | DBMC13P3S-JA197 | DBMMP13H3S-V | DBMMC13H3S-V | DBM13H3S-VNMB | DBM13H3S-VNMBK52 |
| DB | 17W2 | DBMP17H2S-VA197 | DBMC17H2S-VA197 | DBMP17P2S-JA197 | DBMC17P2S-JA197 | DBMMP17H2S-V | DBMMC17H2S-V | DBM17H2S-VNMB | DBM17H2S-VNMBK52 |
| DB | 21W1 | DBMP21H1S-VA197 | DBMC21H1S-VA197 | DBMP21P1S-JA197 | DBMC21P1S-JA197 | DBMMP21H1S-V | DBMMC21H1S-V | DBM21H1S-VNMB | DBM21H1S-VNMBK52 |
| DC | 8W8 | DCMP8H8S-VA197 | DCMC8H8S-VA197 | DCMP8P8S-JA197 | DCMC8P8S-JA197 | DCMMP8H8S-V | DCMMC8H8S-V | DCM8H8S-VNMB | DCM8H8S-VNMBK52 |
| DC | 13W6 | DCMP13H6S-VA197 | DCMC13H6S-VA197 | DCMP13P6S-JA197 | DCMC13P6S-JA197 | DCMMP13H6S-V | DCMMC13H6S-V | DCM13H6S-VNMB | DCM13H6S-VNMBK52 |
| DC | 17W5 | DCMP17H5S-VA197 | DCMC17H5S-VA197 | DCMP17P5S-JA197 | DCMC17P5S-JA197 | DCMMP17H5S-V | DCMMC17H5S-V | DCM17H5S-VNMB | DCM17H5S-VNMBK52 |
| DC | 21WA4 | DCMP21HA4S-VA197 | DCMC21HA4S-VA197 | DCMP21PA4S-JA197 | DCMC21PA4S-JA197 | DCMMP21HA4S-V | DCMMC21HA4S-V | DCM21HA4S-VNMB | DCMG21HA4S-VNMBK52 |
| DC | 25W3 | DCMP25H3S-VA197 | DCMC25H3S-VA197 | DCMP25P3S-JA197 | DCMC25P3S-JA197 | DCMMP25H3S-V | DCMMC25H3S-V | DCM25H3S-VNMB | DCM25H3S-VNMBK52 |
| DC | 27W2 | DCMP27H2S-VA197 | DCMC27H2S-VA197 | DCMP27P2S-JA197 | DCMC27P2S-JA197 | DCMMP27H2S-V | DCMMC27H2S-V | DCM27H2S-VNMB | DCM27H2S-VNMBK52 |

* Hardware Modifier not allowed with Non Magnetic/ Low Outgassing Combo-D; contact factory for more information

Receptacle



- For contact cavity arrangements, see page 61.
- For pcb hole pattern, see pages 85-87.
- For mounting methods, see pages 59-60.

US version shown – for EU version, please see readers resource section, page 94-95.

Dimensions

| Shell size | A ± 0,38 (.015) | B ± 0,13 (.005) | C ± 0,13 (.005) | D ± 0,13 (.005) | E ± 0,38 (.015) | F ± 0,25 (.010) | W ± 0,38 (.015) | L ± 0,25 (.010) |
|------------|--------------------|--------------------|--------------------|--------------------|--------------------|--------------------|--------------------|--------------------|
| DE | 30,81 (1.213) | 16,33 (.643) | 24,99 (.984) | 7,90 (.311) | 12,55 (.494) | 10,90 (.429) | 6,94 (.273) | 0,76 (.030) |
| DA | 39,14 (1.541) | 24,65 (.971) | 33,32 (1.312) | 7,90 (.311) | 12,55 (.494) | 10,90 (.429) | 6,94 (.273) | 0,76 (.030) |
| DB | 53,04 (2.088) | 38,38 (1.511) | 47,04 (1.852) | 7,90 (.311) | 12,55 (.494) | 10,90 (.429) | 6,94 (.273) | 0,76 (.030) |
| DC | 69,32 (2.729) | 54,84 (2.159) | 63,50 (2.500) | 7,90 (.311) | 12,55 (.494) | 10,90 (.429) | 6,94 (.273) | 0,76 (.030) |

Dimensions shown in mm
Specifications and dimensions subject to change

www.ittcannon.com



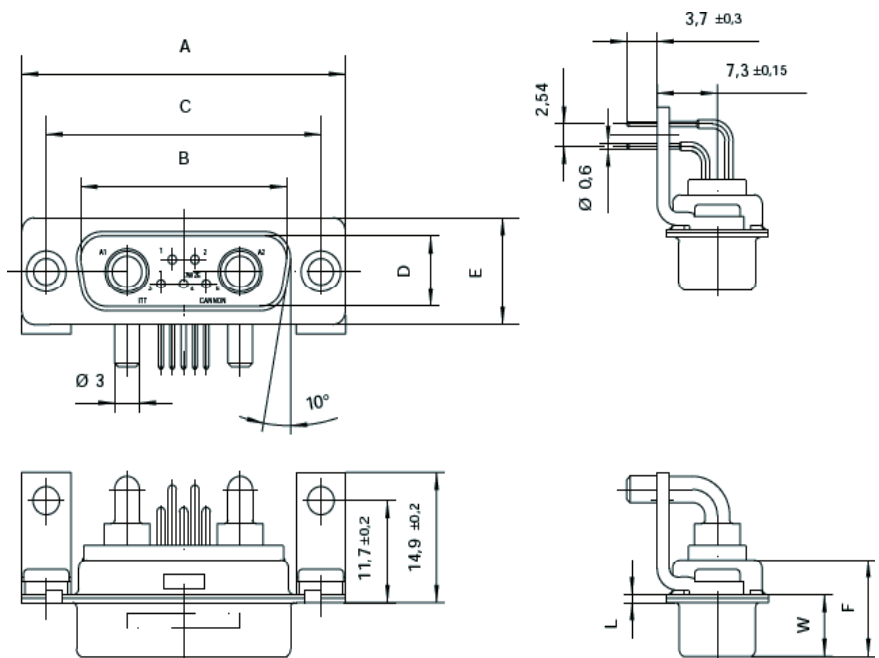
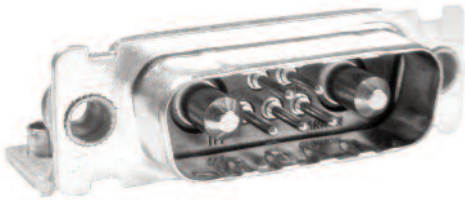
40 A High Power 90° PCB Plug- European footprint, sizes DE-DC, with bracket
 40 A High power inserted with US footprint
 metal bracket and UNC 4-40 captive nut

| Part numbers with bracket and captive nut M3 | | | | Part numbers with bracket with dia. 3,05 | | Part numbers with bracket with post M3 | |
|--|--------|--------------------------|--------------------------|--|--------------------------|--|--------------------------|
| Shell size | Layout | Plastic Bracket | Metal Bracket | Plastic Bracket | Metal Bracket | Plastic Bracket | Metal Bracket |
| DE | 2W2 | DEM-2P2P-1ATN-A191-K87 | DEM-2P2P-1A9N-A191-K87 | DEM-2P2P-1A5N-A191-K87 | DEM-2P2P-1AFN-A191-K87 | DEM-2P2P-APN-A191-K87 | DEM-SP2P-1AHN-A191-K87 |
| DE | 2WK2 | DEM-2PK2P-1ATN-A191-K87 | DEM-2PK2P-1A9N-A191-K87 | DEM-2PK2P-1A5N-A191-K87 | DEM-2PK2P-1AFN-A191-K87 | DEM-2PK2P-APN-A191-K87 | DEM-2PK2P-1AHN-A191-K87 |
| DE | 5W1 | DEM-5P1P-1ATN-A191-K87 | DEM-5P1P-1A9N-A191-K87 | DEM-5P1P-1A5N-A191-K87 | DEM-5P1P-1AFN-A191-K87 | DEM-5P1P-APN-A191-K87 | DEM-5P1P-1AHN-A191-K87 |
| DA | 7W2 | DAM-7P2P-1ATN-A191-K87 | DAM-7P2P-1A9N-A191-K87 | DAM-7P2P-1A5N-A191-K87 | DAM-7P2P-1AFN-A191-K87 | DAM-7P2P-1APN-A191-K87 | DAM-7P2P-1AHN-A191-K87 |
| DA | 11W1 | DAM-11P1P-1ATN-A191-K87 | DAM-11P1P-1A9N-A191-K87 | DAM-11P1P-1A5N-A191-K87 | DAM-11P1P-1AFN-A191-K87 | DAM-11P1P-1APN-A191-K87 | DAM-11P1P-1AHN-A191-K87 |
| DA | 3W3 | DAM-3P3P-1ATN-A191-K87 | DAM-3P3P-1A9N-A191-K87 | DAM-3P3P-1A5N-A191-K87 | DAM-3P3P-1AFN-A191-K87 | DAM-3P3P-1APN-A191-K87 | DAM-3P3P-1AHN-A191-K87 |
| DA | 3WK3 | DAM-3PK3P-1ATN-A191-K87 | DAM-3PK3P-1A9N-A191-K87 | DAM-3PK3P-1A5N-A191-K87 | DAM-3PK3P-1AFN-A191-K87 | DAM-3PK3P-1APN-A191-K87 | DAM-3PK3P-1AHN-A191-K87 |
| DB | 5W5 | DBM-5P5P-1ATN-A191-K87 | DBM-5P5P-1A9N-A191-K87 | DBM-5P5P-1A5N-A191-K87 | DBM-5P5P-1AFN-A191-K87 | DBM-5P5P-1APN-A191-K87 | DBM-5P5P-1AHN-A191-K87 |
| DB | 9W4 | DBM-9P4P-1ATN-A191-K87 | DBM-9P4P-1A9N-A191-K87 | DBM-9P4P-1A5N-A191-K87 | DBM-9P4P-1AFN-A191-K87 | DBM-9P4P-1APN-A191-K87 | DBM-9P4P-1AHN-A191-K87 |
| DB | 13W3 | DBM-13P3P-1ATN-A191-K87 | DBM-13P3P-1A9N-A191-K87 | DBM-13P3P-1A5N-A191-K87 | DBM-13P3P-1AFN-A191-K87 | DBM-13P3P-1APN-A191-K87 | DBM-13P3P-1AHN-A191-K87 |
| DB | 17W2 | DBM-17PSP-1ATN-A191-K87 | DBM-17PSP-1A9N-A191-K87 | DBM-17PSP-1A5N-A191-K87 | DBM-17PSP-1AFN-A191-K87 | DBM-17PSP-1APN-A191-K87 | DBM-17PSP-1AHN-A191-K87 |
| DB | 21W1 | DBM-21P1P-1ATN-A191-K87 | DBM-21P1P-1A9N-A191-K87 | DBM-21P1P-1A5N-A191-K87 | DBM-21P1P-1AFN-A191-K87 | DBM-21P1P-1APN-A191-K87 | DBM-21P1P-1AHN-A191-K87 |
| DC | 8W8 | DCM-8P8P-1ATN-A191-K87 | DCM-8P8P-1A9N-A191-K87 | DCM-8P8P-1A5N-A191-K87 | DCM-8P8P-1AFN-A191-K87 | DCM-8P8P-1APN-A191-K87 | DCM-8P8P-1AHN-A191-K87 |
| DC | 13W6 | DCM-13P6P-1ATN-A191-K87 | DCM-13P6P-1A9N-A191-K87 | DCM-13P6P-1A5N-A191-K87 | DCM-13P6P-1AFN-A191-K87 | DCM-13P6P-1APN-A191-K87 | DCM-13P6P-1AHN-A191-K87 |
| DC | 17W5 | DCM-17P5P-1ATN-A191-K87 | DCM-17P5P-1A9N-A191-K87 | DCM-17P5P-1A5N-A191-K87 | DCM-17P5P-1AFN-A191-K87 | DCM-17P5P-1APN-A191-K87 | DCM-17P5P-1AHN-A191-K87 |
| DC | 21WA4 | DCM-21PA4P-1ATN-A191-K87 | DCM-21PA4P-1A9N-A191-K87 | DCM-21PA4P-1A5N-A191-K87 | DCM-21PA4P-1AFN-A191-K87 | DCM-21PA4S-1APN-A191-K87 | DCM-21PA4P-1AHN-A191-K87 |
| DC | 25W3 | DCM-25P3P-1ATN-A191-K87 | DCM-25P3P-1A9N-A191-K87 | DCM-25P3P-1A5N-A191-K87 | DCM-25P3P-1AFN-A191-K87 | DCM-25P3P-1APN-A191-K87 | DCM-25P3P-1AHN-A191-K87 |
| DC | 27W2 | DCM-27P2P-1ATN-A191-K87 | DCM-27P2P-1A9N-A191-K87 | DCM-27P2P-1A5N-A191-K87 | DCM-27P2P-1AFN-A191-K87 | DCM-27P2P-1APN-A191-K87 | DCM-27P2P-1AHN-A191-K87 |

For performance class 1 replace A191 with A190.
 For performance class 3 delete A191.

For 3,0 mm pushfit please add -146 modifier;
 For 3,2 mm pushfit please add -162 modifier.

Plug



- For contact cavity arrangements, see page 61.
- For pcb hole pattern, see pages 88-89.
- For mounting methods, see pages 59-60.

Dimensions

| Shell size | A ± 0,38 (.015) | B ± 0,13 (.005) | C ± 0,13 (.005) | D ± 0,13 (.005) | E ± 0,38 (.015) | F ± 0,25 (.010) | L ± 0,2 (.008) | W ± 0,40 (.016) |
|------------|--------------------|--------------------|--------------------|--------------------|--------------------|--------------------|-------------------|--------------------|
| DE | 30,8 (1.213) | 16,90 (.665) | 25,0 (.984) | 8,35 (.329) | 12,55 (.494) | 10,70 (.421) | 0,8 (.031) | 6,70 (.264) |
| DA | 39,15 (1.541) | 24,25 (.994) | 33,3 (1.311) | 8,35 (.329) | 12,55 (.494) | 10,70 (.421) | 0,8 (.031) | 6,70 (.264) |
| DB | 53,05 (2.089) | 38,95 (1.533) | 47,05 (1.852) | 8,35 (.329) | 12,55 (.494) | 10,80 (.425) | 0,8 (.031) | 6,80 (.268) |
| DC | 69,3 (2.089) | 55,4 (2.181) | 63,50 (2.500) | 8,35 (.329) | 12,55 (.494) | 10,80 (.425) | 0,8 (.031) | 6,80 (.268) |

Dimensions shown in mm
 Specifications and dimensions subject to change

www.ittcannon.com



40 A High power 90° Receptacle, European footprint, sizes DE-DC, with bracket

40 A High power inserted with US footprint metal bracket and UNC 4-40 captive nut

| Shell size | Part numbers with bracket and captive nut M3 | | Part numbers with bracket with dia. 3,05 | | Part numbers with bracket with post M3 | | |
|------------|--|---------------------------|--|---------------------------|--|---------------------------|---------------------------|
| | Layout | Metal Bracket | Plastic Bracket | Metal Bracket | Plastic Bracket | Metal Bracket | Plastic Bracket |
| DE | 2W2 | DEM-2P2S-1A9N-A191-A197 | DEM-2P2S-1ATN-A191-A197 | DEM-2P2-1AFN-A191-A197 | DEM-2P2S-1A5N-A191-A197 | DEM-2P2S-1AHN-A191-A197 | DEM-2P2S-1APN-A191-A197 |
| DE | 2WK2 | DEM-2PK2S-1A9N-A191-A197 | DEM-2PK2S-1ATN-A191-A197 | DEM-2PK2-1AFN-A191-A197 | DEM-2PK2S-1A5N-A191-A197 | DEM-2PK2S-1AHN-A191-A197 | DEM-2PK2S-1APN-A191-A197 |
| DE | 5W1 | DEM-5P1S-1A9N-A191-A197 | DEM-5P1S-1ATN-A191-A197 | DEM-5P1S-1AFN-A191-A197 | DEM-5P1S-1A5N-A191-A197 | DEM-5P1S-1AHN-A191-A197 | DEM-5P1S-1APN-A191-A197 |
| DA | 7W2 | DAM-7P2S-1A9N-A191-A197 | DAM-7P2S-1ATN-A191-A197 | DAM-7P2S-1AFN-A191-A197 | DAM-7P2S-1A5N-A191-A197 | DAM-7P2S-1AHN-A191-A197 | DAM-7P2S-1APN-A191-A197 |
| DA | 11W1 | DAM-11P1S-1A9N-A191-A197 | DAM-11P1S-1ATN-A191-A197 | DAM-11P1S-1AFN-A191-A197 | DAM-11P1S-1A5N-A191-A197 | DAM-11P1S-1AHN-A191-A197 | DAM-11P1S-1APN-A191-A197 |
| DA | 3W3 | DAM-3P3S-1A9N-A191-A197 | DAM-3P3S-1ATN-A191-A197 | DAM-3P3S-1AFN-A191-A197 | DAM-11P1S-1A5N-A191-A197 | DAM-3P3S-1AHN-A191-A197 | DAM-3P3S-1APN-A191-A197 |
| DA | 3WK3 | DAM-3PK3S-1A9N-A191-A197 | DAM-3PK3S-1ATN-A191-A197 | DAM-3PK3S-1AFN-A191-A197 | DAM-3PK3S-1A5N-A191-A197 | DAM-3PK3S-1AHN-A191-A197 | DAM-3PK3S-1APN-A191-A197 |
| DB | 5W5 | DBM-5P5S-1A9N-A191-A197 | DBM-5P5S-1ATN-A191-A197 | DBM-5P5S-1AFN-A191-A197 | DBM-5P5S-1A5N-A191-A197 | DBM-5P5S-1AHN-A191-A197 | DBM-5P5S-1APN-A191-A197 |
| DB | 9W4 | DBM-9P4S-1A9N-A191-A197 | DBM-9P4S-1ATN-A191-A197 | DBM-9P4S-1AFN-A191-A197 | DBM-9P4S-1A5N-A191-A197 | DBM-9P4S-1AHN-A191-A197 | DBM-9P4S-1APN-A191-A197 |
| DB | 13W3 | DBM-13P3S-1A9N-A191-A197 | DBM-13P3S-1ATN-A191-A197 | DBM-13P3S-1AFN-A191-A197 | DBM-13P3S-1A5N-A191-A197 | DBM-13P3S-1AHN-A191-A197 | DBM-13P3S-1APN-A191-A197 |
| DB | 17W2 | DBM-17P2S-1A9N-A191-A197 | DBM-17P2S-1ATN-A191-A197 | DBM-17P2S-1AFN-A191-A197 | DBM-17P2S-1A5N-A191-A197 | DBM-17P2S-1AHN-A191-A197 | DBM-17P2S-1APN-A191-A197 |
| DB | 21W1 | DBM-21P1S-1A9N-A191-A197 | DBM-21P1S-1ATN-A191-A197 | DBM-21P1S-1AFN-A191-A197 | DBM-21P1S-1A5N-A191-A197 | DBM-21P1S-1AHN-A191-A197 | DBM-21P1S-1APN-A191-A197 |
| DC | 8W8 | DCM-8P8S-1A9N-A191-A197 | DCM-8P8S-1ATN-A191-A197 | DCM-8P8S-1AFN-A191-A197 | DCM-8P8S-1A5N-A191-A197 | DCM-8P8S-1AHN-A191-A197 | DCM-8P8S-1APN-A191-A197 |
| DC | 13W6 | DCM-13P6S-1A9N-A191-A197 | DCM-13P6S-1ATN-A191-A197 | DCM-13P6S-1AFN-A191-A197 | DCM-13P6S-1A5N-A191-A197 | DCM-13P6S-1AHN-A191-A197 | DCM-13P6S-1APN-A191-A197 |
| DC | 17W5 | DCM-17P5S-1A9N-A191-A197 | DCM-17P5S-1ATN-A191-A197 | DCM-17P5S-1AFN-A191-A197 | DCM-17P5S-1A5N-A191-A197 | DCM-17P5S-1AHN-A191-A197 | DCM-17P5S-1APN-A191-A197 |
| DC | 21WA4 | DCM-21PA4S-1A9N-A191-A197 | DCM-21PA4S-1ATN-A191-A197 | DCM-21PA4S-1AFN-A191-A197 | DCM-21PA4S-1A5N-A191-A197 | DCM-21PA4S-1AHN-A191-A197 | DCM-21PA4S-1APN-A191-A197 |
| DC | 25W3 | DCM-25P3S-1A9N-A191-A197 | DCM-25P3S-1ATN-A191-A197 | DCM-25P3S-1AFN-A191-A197 | DCM-25P3S-1A5N-A191-A197 | DCM-25P3S-1AHN-A191-A197 | DCM-25P3S-1APN-A191-A197 |
| DC | 27W2 | DCM-27P2S-1A9N-A191-A197 | DCM-27P2S-1ATN-A191-A197 | DCM-27P2S-1AFN-A191-A197 | DCM-27P2S-1A5N-A191-A197 | DCM-27P2S-1AHN-A191-A197 | DCM-27P2S-1APN-A191-A197 |

For pushfit add -146 modifier.

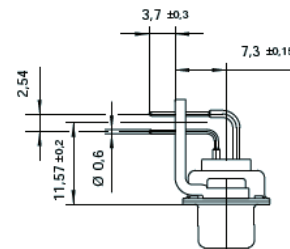
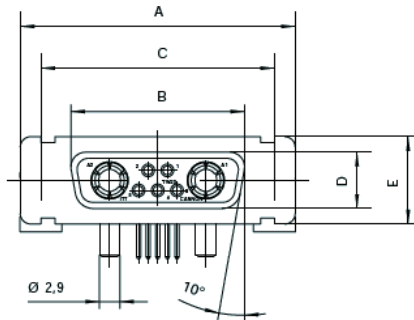
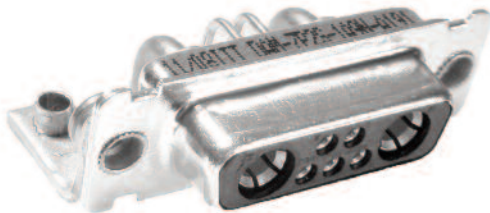
For performance class 1 replace A191 with A190.

For performance class 3 delete A191.

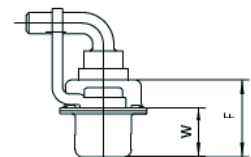
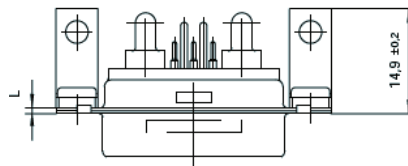
For captive nut 4-40 UNC thread replace 1A9N with 1A7N and 1AHN with 1A8N.

For pushfit 90° pcb hole diameter 3,2 mm replace 146 with 162.

Receptacle



- For contact cavity arrangements, see page 62.
- For pcb hole pattern, see pages 90-91.
- For mounting methods, see pages 59-60.



Dimensions

| Shell size | A ± 0,38 (.015) | B ± 0,13 (.005) | C ± 0,13 (.005) | D ± 0,13 (.005) | E ± 0,38 (.015) | F ± 0,25 (.010) | L ± 0,2 (.008) | W ± 0,40 (.016) |
|------------|-----------------|-----------------|-----------------|-----------------|-----------------|-----------------|----------------|-----------------|
| DE | 30,8 (1.213) | 16,35 (.644) | 25,0 (.984) | 7,9 (.311) | 12,55 (.494) | 10,90 (.429) | 0,8 (.031) | 6,95 (.274) |
| DA | 39,15 (1.541) | 24,65 (.970) | 33,3 (1.311) | 7,9 (.311) | 12,55 (.494) | 10,90 (.429) | 0,8 (.031) | 6,95 (.274) |
| DB | 53,05 (2.089) | 38,4 (1.512) | 47,05 (1.852) | 7,9 (.311) | 12,55 (.494) | 10,90 (.429) | 0,8 (.031) | 6,95 (.274) |
| DC | 69,3 (2.089) | 54,85 (2.159) | 63,50 (2.500) | 7,9 (.311) | 12,55 (.494) | 10,90 (.429) | 0,8 (.031) | 6,95 (.274) |

Dimensions shown in mm

Specifications and dimensions subject to change

www.ittcannon.com



40 A High power straight PCB Plug, sizes DE – DC

40 A High power inserted with straight contacts and standoff with UNC 4-40 thread

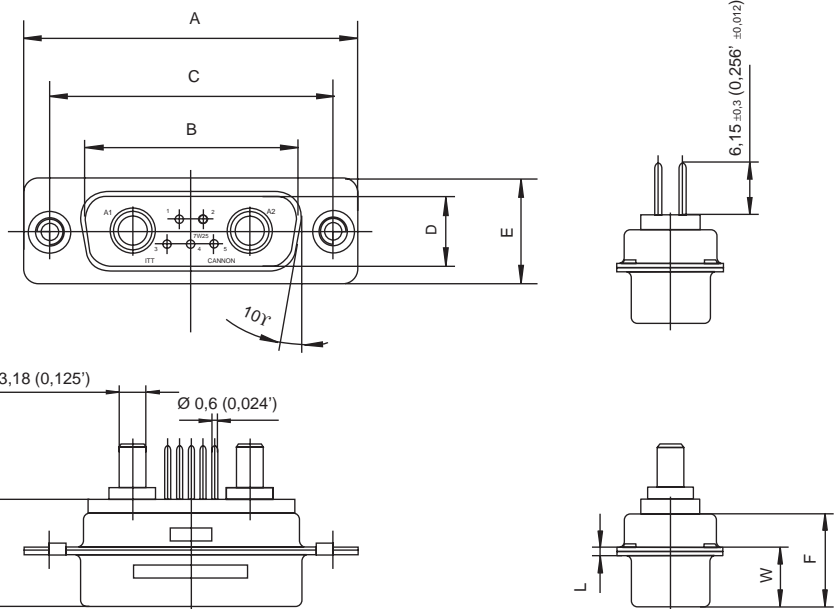
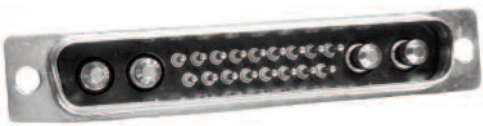
| Shell size | Layout | INDUSTRIAL | | MILITARY/HI-REL | | NON-MAGNETIC*/LOW OUTGASSING** | |
|------------|--------|-----------------------|--------------------|-----------------------|------------------------|--------------------------------|-----------------------|
| | | P/N without Boardlock | P/N with Boardlock | P/N without Boardlock | P/N with UNC Boardlock | P/N with Cadmium Plating | P/N with Gold Plating |
| DE | 2W2 | DEMV2H2P-NK87 | DEMZ2H2P-NK87 | DEMMV2H2P-N | DEMMZ2H2P-N | DEM2H2P-NNMB | DEMZ2H2P-NNMBK52 |
| DE | 2WK2 | DEMV2HK2P-NK87 | DEMZ2HK2P-NK87 | DEMMV2HK2P-N | DEMMZ2HK2P-N | DEM2HK2P-NNMB | DEMZ2HK2P-NNMBK52 |
| DE | 5W1 | DEMV5H1P-NK87 | DEMZ5H1P-NK87 | DEMMV5H1P-N | DEMMZ5H1P-N | DEM5H1P-NNMB | DEMZ5H1P-NNMBK52 |
| DA | 7W2 | DAMV7H2P-NK87 | DAMZ7H2P-NK87 | DAMMV7H2P-N | DAMMZ7H2P-N | DAM7H2P-NNMB | DAMZ7H2P-NNMBK52 |
| DA | 11W1 | DAMV11H1P-NK87 | DAMZ11H1P-NK87 | DAMMV11H1P-N | DAMMZ11H1P-N | DAM11H1P-NNMB | DAMZ11H1P-NNMBK52 |
| DA | 3W3 | DAMV3H3P-NK87 | DAMZ3H3P-NK87 | DAMMV3H3P-N | DAMMZ3H3P-N | DAM3H3P-NNMB | DAMZ3H3P-NNMBK52 |
| DA | 3WK3 | DAMV3HK3-NK87 | DAMZ3HK3P-NK87 | DAMMV3HK3P-N | DAMMZ3HK3P-N | DAM3HK3P-NNMB | DAMZ3HK3P-NNMBK52 |
| DB | 5W5 | DBMV5H5P-NK87 | DBMZ5H5P-NK87 | DBMMV5H5P-N | DBMMZ5H5P-N | DBM5H5P-NNMB | DBMZ5H5P-NNMBK52 |
| DB | 9W4 | DBMV9H4P-NK87 | DBMZ9H4P-NK87 | DBMMV9H4P-N | DBMMZ9H4P-N | DBM9H4P-NNMB | DBMZ9H4P-NNMBK52 |
| DB | 13W3 | DBMV13H3P-NK87 | DBMZ13H3P-NK87 | DBMMV13H3P-N | DBMMZ13H3P-N | DBM13H3P-NNMB | DBMZ13H3P-NNMBK52 |
| DB | 17W2 | DBMV17H2P-NK87 | DBMZ17H2P-NK87 | DBMMV17H2P-N | DBMMZ17H2P-N | DBM17H2P-NNMB | DBMZ17H2P-NNMBK52 |
| DB | 21W1 | DBMV21H1P-NK87 | DBMZ21H1P-NK87 | DBMMV21H1P-N | DBMMZ21H1P-N | DBM21H1P-NNMB | DBMZ21H1P-NNMBK52 |
| DC | 8W8 | DCMV8H8P-NK87 | DCMZ8H8P-NK87 | DCMMV8H8P-N | DCMMZ8H8P-N | DCM8H8P-NNMB | DCMZ8H8P-NNMBK52 |
| DC | 13W6 | DCMV13H6P-NK87 | DCMZ13H6P-NK87 | DCMMV13H6P-N | DCMMZ13H6P-N | DCM13H6P-NNMB | DCMZ13H6P-NNMBK52 |
| DC | 17W5 | DCMV17H5P-NK87 | DCMZ17H5P-NK87 | DCMMV17H5P-N | DCMMZ17H5P-N | DCM17H5P-NNMB | DCMZ17H5P-NNMBK52 |
| DC | 21WA4 | DCMV21HA4P-NK87 | DCMZ21HA4P-NK87 | DCMMV21HA4P-N | DCMMZ21HA4P-N | DCM21HA4P-NNMB | DCMZ21HA4P-NNMBK52 |
| DC | 25W3 | DCMV25H3P-NK87 | DCMZ25H3P-NK87 | DCMMV25H3P-N | DCMMZ25H3P-N | DCM25H3P-NNMB | DCMZ25H3P-NNMBK52 |
| DC | 27W2 | DCMV27H2P-NK87 | DCMZ27H2P-NK87 | DCMMV27H2P-N | DCMMZ27H2P-N | DCM27H2P-NNMBK | DCMZ27H2P-NNMBK52 |

* For Spacers; Order P/N 253-0343-008, 2 each

**For M-3 and other hardware options, see part number designator, page 7.

** Hardware Modifier not allowed on Non-Magnetic/Low Outgassing Versions; consult factory for more information

Plug



- For contact cavity arrangements, see page 61.
- For pcb hole pattern, see pages 92-94.
- For mounting methods, see pages 59-60.

Dimensions

| Shell size | A ± 0,38 (.015) | B ± 0,13 (.005) | C ± 0,13 (.005) | D ± 0,13 (.005) | E ± 0,38 (.015) | F ± 0,25 (.010) | W ± 0,368 (.0145) | W ± 0,41 (.016) | L ± 0,25 (.010) |
|------------|--------------------|--------------------|--------------------|--------------------|--------------------|--------------------|----------------------|--------------------|--------------------|
| DE | 30,81 (1.213) | 16,92 (.665) | 24,99 (.984) | 8,36 (.329) | 12,55 (.494) | 10,72 (.422) | 6,693 (.2635) | — | 0,76 (.030) |
| DA | 39,14 (1.541) | 25,25 (.994) | 33,32 (1.312) | 8,36 (.329) | 12,55 (.494) | 10,72 (.422) | 6,693 (.2635) | — | 0,76 (.030) |
| DB | 53,04 (2.088) | 38,96 (1.534) | 47,04 (1.852) | 8,36 (.329) | 12,55 (.494) | 10,82 (.426) | — | 6,84 (.269) | 0,99 (.039) |
| DC | 69,32 (2.729) | 55,42 (2.182) | 63,50 (2.500) | 8,36 (.329) | 12,55 (.494) | 10,82 (.426) | — | 6,84 (.269) | 0,99 (.039) |

Dimensions shown in mm
Specifications and dimensions subject to change

www.ittcannon.com



40 A High power straight PCB Receptacle, sizes DE – DC

40 A High power inserted with straight contacts and standoff with UNC 4-40 thread

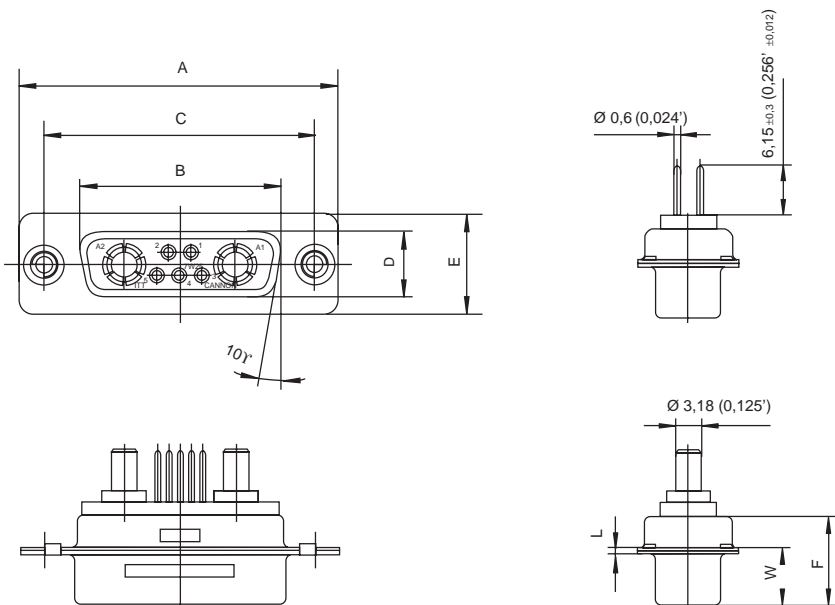
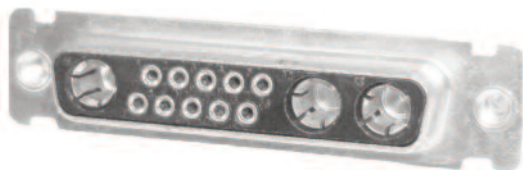
| Shell size | Layout | INDUSTRIAL | | MILITARY/HI-REL | | NON-MAGNETIC**/LOW OUTGASSING*** | |
|------------|--------|---------------------|------------------|---------------------|------------------|----------------------------------|-----------------------|
| | | P/N without pushfit | P/N with pushfit | P/N without pushfit | P/N with pushfit | P/N with Cadmium Plating | P/N with Gold Plating |
| DE | 2W2 | DEMV2H2S-NA197 | DEMZ2H2S-NA197 | DEMMV2H2S-N | DEMMZ2H2S-N | DEM2H2S-NNMB | DEM2H2S-NNMBK52 |
| DE | 2WK2 | DEMV2HK2S-NA197 | DEMZ2HK2S-NA197 | DEMMV2HK2S-N | DEMMZ2HK2S-N | DEM2HK2S-NNMB | DEM2HK2S-NNMBK52 |
| DE | 5W1 | DEMV5H1S-NA197 | DEMZ5H1S-NA197 | DEMMV5H1S-N | DEMMZ5H1S-N | DEM5H1S-NNMB | DEM5H1S-NNMBK52 |
| DA | 7W2 | DAMV7H2S-NA197 | DAMZ7H2S-NA197 | DAMMV7H2S-N | DAMMZ7H2S-N | DAM7H2S-NNMB | DAM7H2S-NNMBK52 |
| DA | 11W1 | DAMV11H1S-NA197 | DAMZ11H1S-NA197 | DAMMV11H1S-N | DAMMZ11H1S-N | DAM11H1S-NNMB | DAM11H1S-NNMBK52 |
| DA | 3W3 | DAMV3H3S-NA197 | DAMZ3H3S-NA197 | DAMMV3H3S-N | DAMMZ3H3S-N | DAM3H3S-NNMB | DAM3H3S-NNMBK52 |
| DA | 3WK3 | DAMV3HK3S-NA197 | DAMZ3HK3S-NA197 | DAMMV3HK3S-N | DAMMZ3HK3S-N | DAM3HK3S-NNMB | DAM3HK3S-NNMBK52 |
| DB | 5W5 | DBMV5H5S-NA197 | DBMZ5H5S-NA197 | DBMMV5H5S-N | DBMMZ5H5S-N | DBM5H5S-NNMB | DBM5H5S-NNMBK52 |
| DB | 9W4 | DBMV9H4S-NA197 | DBMZ9H4S-NA197 | DBMMV9H4S-N | DBMMZ9H4S-N | DBM9H4S-NNMB | DBM9H4S-NNMBK52 |
| DB | 13W3 | DBMV13H3S-NA197 | DBMZ13H3S-NA197 | DBMMV13H3S-N | DBMMZ13H3S-N | DBM13H3S-NNMB | DBM13H3S-NNMBK52 |
| DB | 17W2 | DBMV17H2S-NA197 | DBMZ17H2S-NA197 | DBMMV17H2S-N | DBMMZ17H2S-N | DBM17H2S-NNMB | DBM17H2S-NNMBK52 |
| DB | 21W1 | DBMV21H1S-NA197 | DBMZ21H1S-NA197 | DBMMV21H1S-N | DBMMZ21H1S-N | DBM21H1S-NNMB | DBM21H1S-NNMBK52 |
| DC | 8W8 | DCMV8H8S-NA197 | DCMZ8H8S-NA197 | DCMMV8H8S-N | DCMMZ8H8S-N | DCM8H8S-NNMB | DCM8H8S-NNMBK52 |
| DC | 13W6 | DCMV13H6S-NA197 | DCMZ13H6S-NA197 | DCMMV13H6S-N | DCMMZ13H6S-N | DCM13H6S-NNMB | DCM13H6S-NNMBK52 |
| DC | 17W5 | DCMV17H5S-NA197 | DCMZ17H5S-NA197 | DCMMV17H5S-N | DCMMZ17H5S-N | DCM17H5S-NNMB | DCM17H5S-NNMBK52 |
| DC | 21WA4 | DCMV21HA4S-NA197 | DCMZ21HA4S-NA197 | DCMMV21HA4S-N | DCMMZ21HA4S-N | DCM21HA4S-NNMB | DCM21HA4S-NNMBK52 |
| DC | 25W3 | DCMV25H3S-NA197 | DCMZ25H3S-NA197 | DCMMV25H3S-N | DCMMZ25H3S-N | DCM25H3S-NNMB | DCM25H3S-NNMBK52 |
| DC | 27W2 | DCMV27H2S-NA197 | DCMZ27H2S-NA197 | DCMMV27H2S-N | DCMMZ27H2S-N | DCM27H2S-NNMB | DCM27H2S-NNMBK52 |

*For M-3 hardware and other hardware options, see part number designator, page 7.

**For spacers; order P/N 23-0343-008, two each per connector.

*** Hardware Modifier not allowed on Non-Magnetic/Low Outgassing Versions; consult factory for more information.

Receptacle



- For contact cavity arrangements, see page 62.
- For pcb hole pattern, see pages 95-97.
- For mounting methods, see pages 59-60.

Dimensions

| Shell size | A ± 0,38 (.015) | B ± 0,13 (.005) | C ± 0,13 (.005) | D ± 0,13 (.005) | E ± 0,38 (.015) | F ± 0,25 (.010) | W ± 0,38 (.015) | L ± 0,25 (.010) |
|------------|--------------------|--------------------|--------------------|--------------------|--------------------|--------------------|--------------------|--------------------|
| DE | 30,81 (1.213) | 16,33 (.643) | 24,99 (.984) | 7,90 (.311) | 12,55 (.494) | 10,90 (.429) | 6,94 (.273) | 0,76 (.030) |
| DA | 39,14 (1.541) | 24,65 (.971) | 33,32 (1.312) | 7,90 (.311) | 12,55 (.494) | 10,90 (.429) | 6,94 (.273) | 0,76 (.030) |
| DB | 53,04 (2.088) | 38,38 (1.511) | 47,04 (1.852) | 7,90 (.311) | 12,55 (.494) | 10,90 (.429) | 6,94 (.273) | 0,76 (.030) |
| DC | 69,32 (2.729) | 54,84 (2.159) | 63,50 (2.500) | 7,90 (.311) | 12,55 (.494) | 10,90 (.429) | 6,94 (.273) | 0,76 (.030) |

Dimensions shown in mm
Specifications and dimensions subject to change

www.ittcannon.com



40 A High Power straight-European solder Pins, sizes DE-DC

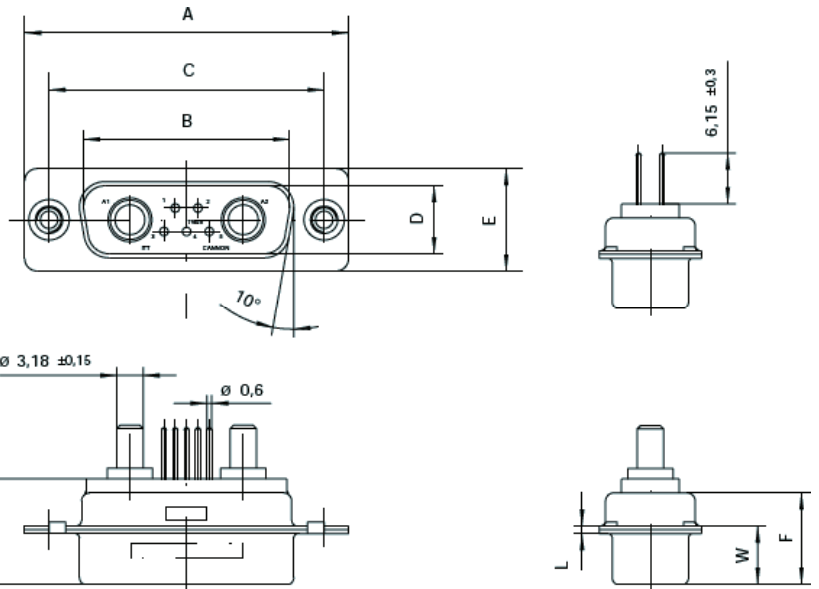
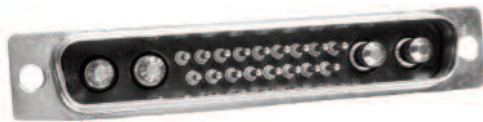
Part numbers with straight contacts

| Shell size | Layout | with standoff M3 | with standoff M3 with pushfit | standoff, M3 post and pushfit | with M3 clinch nut | with through hole 3,05 mm |
|------------|--------|--------------------------|-------------------------------|-------------------------------|--------------------------|---------------------------|
| DE | 2W2 | DEMT-2H2P-OL4-A191-K87 | DEMQ-2H2P-OL4-A191-K87 | DEMU-2H2P-OL4-A191-K87 | DEMX-2H2P-OL4-A191-K87 | DEM-2H2P-OL4-A191-K87 |
| DE | 2WK2 | DEMT-2HK2P-OL4-A191-K87 | DEMQ-2HK2P-OL4-A191-K87 | DEMU-2HK2P-OL4-A191-K87 | DEMX-2HK2P-OL4-A191-K87 | DEM-2HK2P-OL4-A191-K87 |
| DE | 5W1 | DEMT-5H1P-OL4-A191-K87 | DEMQ-5H1P-OL4-A191-K87 | DEMU-5H1P-OL4-A191-K87 | DEMX-5H1P-OL4-A191-K87 | DEM-5H1P-OL4-A191-K87 |
| DA | 7W2 | DAMT-7H2P-OL4-A191-K87 | DAMQ-7H2P-OL4-A191-K87 | DAMU-7H2P-OL4-A191-K87 | DAMX-7H2P-OL4-A191-K87 | DAM-7H2P-OL4-A191-K87 |
| DA | 11W1 | DAMT-11H1P-OL4-A191-K87 | DAMQ-11H1P-OL4-A191-K87 | DAMU-11H1P-OL4-A191-K87 | DAMX-11H1P-OL4-A191-K87 | DAM-11H1P-OL4-A191-K87 |
| DA | 3W3 | DAMT-3H3P-OL4-A191-K87 | DAMQ-3H3P-OL4-A191-K87 | DAMU-3H3P-OL4-A191-K87 | DAMX-3H3P-OL4-A191-K87 | DAM-3H3P-OL4-A191-K87 |
| DA | 3WK3 | DAMT-3HK3P-OL4-A191-K87 | DAMQ-3HK3P-OL4-A191-K87 | DAMU-3PH3P-OL4-A191-K87 | DAMX-3PH3P-OL4-A191-K87 | DAM-3HK3P-OL4-A191-K87 |
| DB | 5W5 | DBMT-5H5P-OL4-A191-K87 | DBMQ-5H5P-OL4-A191-K87 | DBMU-5H5P-10L4-A191-K87 | DBMX-5H5P-OL4-A191-K87 | DBM-5H5P-OL4-A191-K87 |
| DB | 9W4 | DBMT-9H4P-OL4-A191-K87 | DBMQ-9H4P-OL4-A191-K87 | DBMU-9H4P-OL4-A191-K87 | DBMX-9H4P-OL4-A191-K87 | DBM-9H4P-OL4-A191-K87 |
| DB | 13W3 | DBMT-13H3P-10L4-A191-K87 | DBMQ-13H3P-OL4-A191-K87 | DBMU-13H3P-OL4-A191-K87 | DBMX-13H3P-OL4-A191-K87 | DBM-13H3P-OL4-A191-K87 |
| DB | 17W2 | DBMT-17HSP-OL4-A191-K87 | DBMQ-17HSP-OL4-A191-K87 | DBMU-17HSP-OL4-A191-K87 | DBMX-17HSP-OL4-A191-K87 | DBM-17HSP-OL4-A191-K87 |
| DB | 21W1 | DBMT-21H1P-OL4-A191-K87 | DBMQ-21H1P-OL4-A191-K87 | DBMU-21H1P-OL4-A191-K87 | DBMX-21H1P-OL4-A191-K87 | DBM-21H1P-OL4-A191-K87 |
| DC | W8 | DCMT-8H8P-OL4-A191-K87 | DCMQ-8H8P-OL4-A191-K87 | DCMU-8H8P-OL4-A191-K87 | DCMX-8H8P-OL4-A191-K87 | DCM-8H8P-OL4-A191-K87 |
| DC | 13W6 | DCMT-13H6P-OL4-A191-K87 | DCMQ-13H6P-OL4-A191-K87 | DCMU-13H6P-OL4-A191-K87 | DCMX-13H6P-OL4-A191-K87 | DCM-13H6P-OL4-A191-K87 |
| DC | 17W5 | DCMT-17H5P-OL4-A191-K87 | DCMQ-17H5P-OL4-A191-K87 | DCMU-17H5P-OL4-A191-K87 | DCMX-17H5P-OL4-A191-K87 | DCM-17H5P-OL4-A191-K87 |
| DC | 21WA4 | DCMT-21HA4P-OL4-A191-K87 | DCMQ-21HA4P-OL4-A191-K87 | DCMU-21HA4P-OL4-A191-K87 | DCMX-21HA4P-OL4-A191-K87 | DCM-21HA4P-OL4-A191-K87 |
| DC | 25W3 | DCMT-25H3P-10L4-A191-K87 | DCMQ-25H3P-OL4-A191-K87 | DCMU-25H3P-OL4-A191-K87 | DCMX-25H3P-OL4-A191-K87 | DCM-25H3P-OL4-A191-K87 |
| DC | 27W2 | DCMT-27H2P-OL4-A191-K87 | DCMQ-27H2P-OL4-A191-K87 | DCMU-27H2P-OL4-A191-K87 | DCMX-27H2P-OL4-A191-K87 | DCM-27H2-OL4-A191-K87 |

For performance class 1 replace A191 with A190.
For performance class 3 delete A191.

For 4-40 UNC thread standoff with pushfit replace Q with Z.
For captive nut 4-40 NC replace X with E.

Pin



- For contact cavity arrangements, see page 61.
- For pcb hole pattern, see pages 92-94.
- For mounting methods, see pages 59-60.

Dimensions

| Shell size | A ± 0,38 (.015) | B ± 0,13 (.005) | C ± 0,13 (.005) | D ± 0,13 (.005) | E ± 0,38 (.015) | F ± 0,25 (.010) | W ± 0,2 (.008) | L ± 0,40 (.016) |
|------------|--------------------|--------------------|--------------------|--------------------|--------------------|--------------------|-------------------|--------------------|
| DE | 30,81 (1.213) | 16,90 (.665) | 25,0 (.984) | 8,35 (.329) | 12,55 (.494) | 10,70 (.421) | 6,70 (.264) | 0,8 (.031) |
| DA | 39,15 (1.541) | 24,25 (.994) | 33,3 (1.311) | 8,35 (.329) | 12,55 (.494) | 10,70 (.421) | 6,70 (.264) | 0,8 (.031) |
| DB | 53,05 (2.088) | 38,95 (1.533) | 47,05 (1.852) | 8,35 (.329) | 12,55 (.494) | 10,80 (.425) | 6,80 (.268) | 0,9 (.031) |
| DC | 69,3 (2.089) | 55,4 (2.181) | 63,50 (2.500) | 8,35 (.329) | 12,55 (.494) | 10,80 (.425) | 6,80 (.268) | 0,9 (.031) |

Dimensions shown in mm
Specifications and dimensions subject to change

www.ittcannon.com



40 A High Power straight-European solder Socket, sizes DE-DC

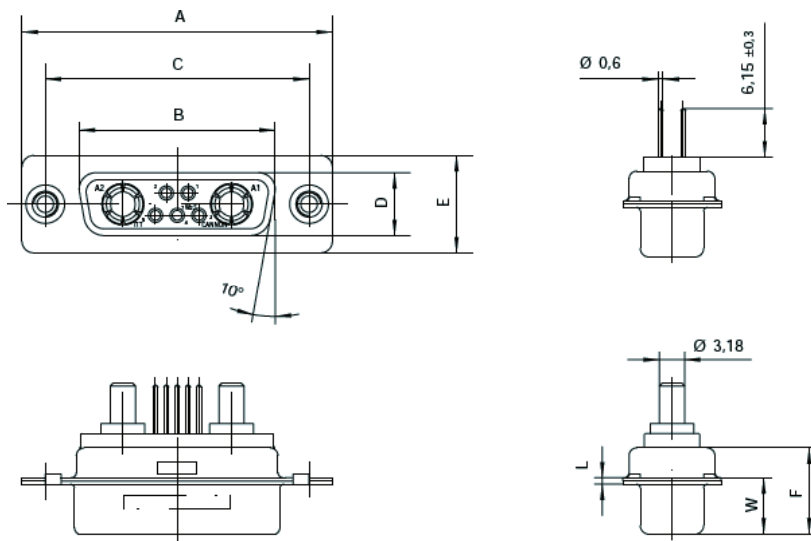
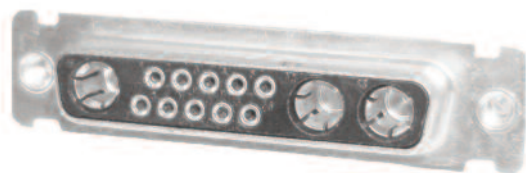
Part numbers with straight contacts

| Shell size | Layout | with standoff M3 | with standoff M3 with pushfit | standoff, M3 post and pushfit | with M3 clinch nut | with through hole 3,05 mm |
|------------|--------|---------------------------|-------------------------------|-------------------------------|---------------------------|---------------------------|
| DE | 2W2 | DEMT-2H2S-OL4-A191-A197 | DEMQ-2H2S-OL4-A191-A197 | DEMU-2H2S-OL4-A191-A197 | DEMX-2H2S-OL4-A191-A197 | DEM-2H2S-OL4-A191-A197 |
| DE | 2WK2 | DEMT-2HK3S-OL4-A191-A197 | DAMQ-2HK3S-OL4-A191-A197 | DAMU-2PH3S-OL4-A191-A197 | DAMX-2PH3S-OL4-A191-A197 | DAM-2HK3S-OL4-A191-A197 |
| DE | 5W1 | DEMT-5H1S-OL4-A191-A197 | DEMQ-5H1S-OL4-A191-A197 | DEMU-5H1S-OL4-A191-A197 | DEMX-5H1S-OL4-A191-A197 | DEM-5H1S-OL4-A191-A197 |
| DA | 7W2 | DAMT-7H2S-OL4-A191-A197 | DAMQ-7H2S-OL4-A191-A197 | DAMU-7H2S-OL4-A191-A197 | DAMX-7H2S-OL4-A191-A197 | DAM-7H2S-OL4-A191-A197 |
| DA | 11W1 | DAMT-11H1S-OL4-A191-A197 | DAMQ-11H1S-OL4-A191-A197 | DAMU-11H1S-OL4-A191-A197 | DAMX-11H1S-OL4-A191-KA197 | DAM-11H1S-OL4-A191-A197 |
| DA | 3W3 | DAMT-3H3S-OL4-A191-A197 | DAMQ-3H3S-OL4-A191-A197 | DAMU-3H3S-OL4-A191-A197 | DAMX-3H3S-OL4-A191-A197 | DAM-3H3S-OL4-A191-A197 |
| DA | 3WK3 | DAMT-3HK3S-OL4-A191-A197 | DAMQ-3HK3S-OL4-A191-A197 | DAMU-3PH3S-OL4-A191-A197 | DAMX-3PH3S-OL4-A191-A197 | DAM-3HK3S-OL4-A191-A197 |
| DB | 5W5 | DBMT-5H5S-OL4-A191-A197 | DBMQ-5H5S-OL4-A191-A197 | DBMU-5H5S-10L4-A191-A197 | DBMX-5H5S-OL4-A191-A197 | DBM-5H5S-OL4-A191-A197 |
| DB | 9W4 | DBMT-9H4S-OL4-A191-A197 | DBMQ-9H4S-OL4-A191-A197 | DBMU-9H4S-OL4-A191-A197 | DBMX-9H4S-OL4-A191-A197 | DBM-9H4S-OL4-A191-A197 |
| DB | 13W3 | DBMT-13H3S-10L4-A191-A197 | DBMQ-13H3S-OL4-A191-A197 | DBMU-13H3S-OL4-A191-A197 | DBMX-13H3S-OL4-A191-A197 | DBM-13H3S-OL4-A191-A197 |
| DB | 17W2 | DBMT-17H2S-OL4-A191-A197 | DBMQ-17H2S-OL4-A191-A197 | DBMU-17H2S-OL4-A191-A197 | DBMX-17H2S-OL4-A191-A197 | DBM-17H2S-OL4-A191-A197 |
| DB | 21W1 | DBMT-21H1S-OL4-A191-A197 | DBMQ-21H1S-OL4-A191-A197 | DBMU-21H1S-OL4-A191-A197 | DBMX-21H1S-OL4-A191-A197 | DBM-21H1S-OL4-A191-A197 |
| DC | W8 | DCMT-8H8S-OL4-A191-A197 | DCMQ-8H8S-OL4-A191-A197 | DCMU-8H8S-OL4-A191-A197 | DCMX-8H8S-OL4-A191-A197 | DCM-8H8S-OL4-A191-A197 |
| DC | 13W6 | DCMT-13H6S-OL4-A191-A197 | DCMQ-13H6S-OL4-A191-A197 | DCMU-13H6S-OL4-A191-A197 | DCMX-13H6S-OL4-A191-A197 | DCM-13H6S-OL4-A191-A197 |
| DC | 17W5 | DCMT-17H5S-OL4-A191-A197 | DCMQ-17H5S-OL4-A191-A197 | DCMU-17H5S-OL4-A191-A197 | DCMX-17H5S-OL4-A191-A197 | DCM-17H5S-OL4-A191-A197 |
| DC | 21WA4 | DCMT-21HA4S-OL4-A191-A197 | DCMQ-21HA4S-OL4-A191-A197 | DCMU-21HA4S-OL4-A191-A197 | DCMX-21HA4S-OL4-A191-A197 | DCM-21HA4S-OL4-A191-A197 |
| DC | 25W3 | DCMT-25H3S-10L4-A191-A197 | DCMQ-25H3S-OL4-A191-A197 | DCMU-25H3S-OL4-A191-A197 | DCMX-25H3S-OL4-A191-A197 | DCM-25H3S-OL4-A191-A197 |
| DC | 27W2 | DCMT-27H2S-OL4-A191-A197 | DCMQ-27H2S-OL4-A191-A197 | DCMU-27H2S-OL4-A191-A197 | DCMX-27H2S-OL4-A191-A197 | DCM-27H2S-OL4-A191-A197 |

For performance class 1 replace A191 with A190.
For performance class 3 delete A191.

For 4-40 UNC thread standoff with pushfit replace Q with Z.
For captive nut 4-40 NC replace X with E.

Socket



- For contact cavity arrangements, see page 62.
- For pcb hole pattern, see pages 95-97.
- For mounting methods, see pages 59-60.

Dimensions

| Shell size | A ± 0,38 (.015) | B ± 0,13 (.005) | C ± 0,13 (.005) | D ± 0,13 (.005) | E ± 0,38 (.015) | F ± 0,25 (.010) | L ± 0,2 (.008) | W ± 0,40 (.016) |
|------------|--------------------|--------------------|--------------------|--------------------|--------------------|--------------------|-------------------|--------------------|
| DE | 30,8 (1.213) | 16,35 (.644) | 25 (.984) | 7,9 (.311) | 12,55 (.494) | 10,90 (.429) | 0,8 (.031) | 6,95 (.274) |
| DA | 39,15 (1.541) | 24,65 (.970) | 33,3 (1.311) | 7,9 (.311) | 12,55 (.494) | 10,90 (.429) | 0,8 (.031) | 6,95 (.274) |
| DB | 53,05 (2.089) | 38,4 (1.512) | 47,05 (1.852) | 7,9 (.311) | 12,55 (.494) | 10,90 (.429) | 0,8 (.031) | 6,95 (.274) |
| DC | 69,3 (2.089) | 54,85 (2.159) | 63,50 (2.500) | 7,9 (.311) | 12,55 (.494) | 10,90 (.429) | 0,8 (.031) | 6,95 (.274) |



Dimensions shown in mm
Specifications and dimensions subject to change

www.ittcannon.com

40 A High Power Plug, Pressfit Termination

Plug



Part Numbers

| Boardlock 4-40 UNC | Boardlock M3 | Stand-off 4-40 | Stand-off M3 |
|--------------------|-------------------|-------------------|-------------------|
| DAME3W3P-PO-161 | DAMX-3W3P-PO-161 | DAME-3W3P-PO-183 | DAMX-3W3P-PO-183 |
| DAME3WK3P-PO-161 | DAMX-3WK3P-PO-161 | DAME-3WK3P-PO-183 | DAMX-3WK3P-PO-183 |
| DBME5W5P-PO-161 | DBMX-5W5P-PO-161 | DBME-5W5P-PO-183 | DBMX-5W5P-PO-183 |
| DCME8W8P-PO-161 | DCMX-8W8P-PO-161 | DCME-8W8P-PO-183 | DCMX-8W8P-PO-183 |

- For contact cavity arrangements, see page 61.
- For pcb hole pattern, see pages 82-84.
- For mounting methods, see pages 59-60.

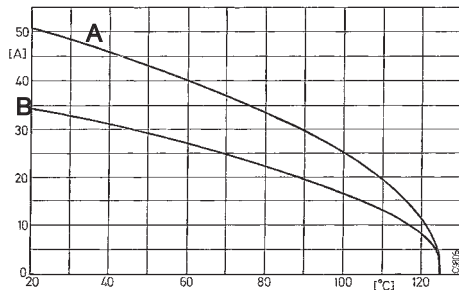
Electrical Data

Insulation resistance
 $\approx 1 \times 10^{10} \text{ W} / 100 \text{ V}$

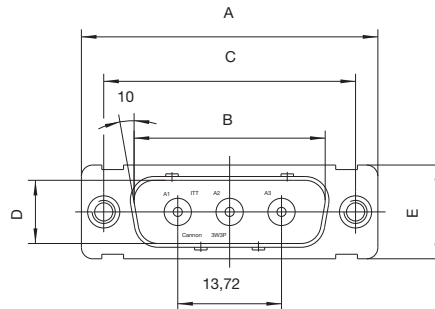
Contact resistance
 1 mW

Dielectric Withstanding Voltage
 1000 VAC (sea level)

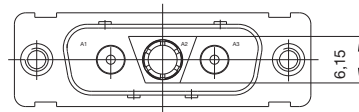
Current Load



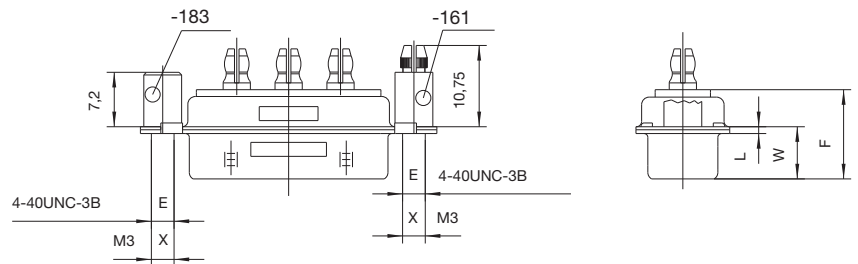
A – Multilayer 6 x 35 μm x 4,5 mm
 B – Double layer 2 x 35 μm x 4,5 mm



3W3



3WK3



Dimensions

| Shell size | A $\pm 0,38 (.015)$ | B $\pm 0,13 (.005)$ | C $\pm 0,13 (.005)$ | D $\pm 0,13 (.005)$ | E $\pm 0,38 (.015)$ | F $\pm 0,25 (.010)$ | W $\pm 0,38 (.0145)$ | W $\pm 0,41 (.016)$ | L $\pm 0,25 (.010)$ |
|------------|------------------------|------------------------|------------------------|------------------------|------------------------|------------------------|-------------------------|------------------------|------------------------|
| DA | 39,14 (1.541) | 25,25 (.994) | 33,32 (1.312) | 8,36 (.329) | 12,55 (.494) | 10,72 (.422) | 6,693 (.2635) | — | 0,76 (.030) |
| DB | 53,04 (2.088) | 38,96 (1.534) | 47,04 (1.852) | 8,36 (.329) | 12,55 (.494) | 10,82 (.426) | — | 6,84 (.269) | 0,99 (.039) |
| DC | 69,32 (2.729) | 55,42 (2.182) | 63,50 (2.500) | 8,36 (.329) | 12,55 (.494) | 10,82 (.426) | — | 6,84 (.269) | 0,99 (.039) |

Dimensions shown in mm
 Specifications and dimensions subject to change

www.ittcannon.com

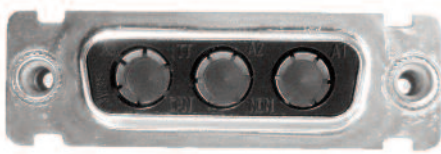


40 A High Power Receptacle, Pressfit Termination

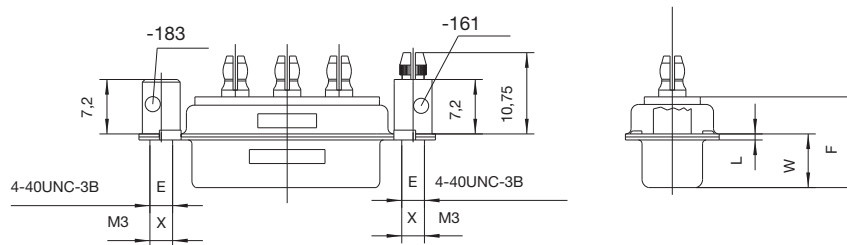
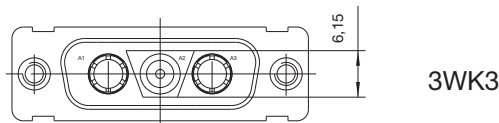
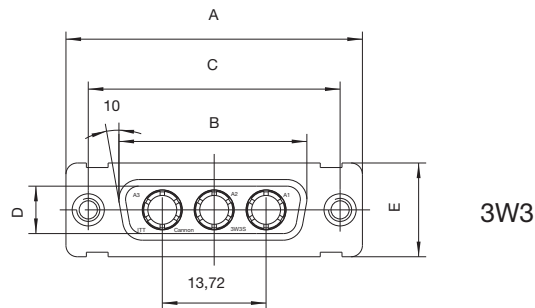
Part Numbers

| Boardlock 4-40 UNC | Boardlock M3 | Stand-off 4-40 | Stand-off M3 |
|--------------------|-------------------|-------------------|-------------------|
| DEME3W3S-PO-161 | DEMX-3W3S-PO-161 | DEME-3W3S-PO-183 | DEMX-3W3S-PO-183 |
| DAME3WK3S-PO-161 | DAMX-3WK3S-PO-161 | DAME-3WK3S-PO-183 | DAMX-3WK3S-PO-183 |
| DBME5W5S-PO-161 | DBMX-5W5S-PO-161 | DBME-5W5S-PO-183 | DBMX-5W5S-PO-183 |
| DCME8W8S-PO-161 | DCMX-8W8S-PO-161 | DCME-8W8S-PO-183 | DCMX-8W8S-PO-183 |

Receptacle



- For contact cavity arrangements, see page 62.
- For pcb hole pattern, see pages 85-87.
- For mounting methods, see page 59-60.



Dimensions

| Shell size | A ± 0,38 (.015) | B ± 0,13 (.005) | C ± 0,13 (.005) | D ± 0,13 (.005) | E ± 0,38 (.015) | F ± 0,25 (.010) | W ± 0,38 (.015) | L ± 0,25 (.010) |
|------------|--------------------|--------------------|--------------------|--------------------|--------------------|--------------------|--------------------|--------------------|
| DA | 39,15 (1.541) | 24,66 (.971) | 33,32 (1.312) | 7,90 (.311) | 12,55 (.494) | 10,90 (.429) | 6,94 (.273) | 6,76 (.030) |
| DB | 53,04 (2.088) | 38,48 (1.511) | 47,04 (1.852) | 7,90 (.311) | 12,55 (.494) | 10,90 (.429) | 6,94 (.273) | 6,76 (.030) |
| DC | 69,32 (2.729) | 54,84 (2.159) | 63,50 (2.500) | 7,90 (.311) | 12,55 (.494) | 10,90 (.429) | 6,94 (.273) | 6,76 (.030) |



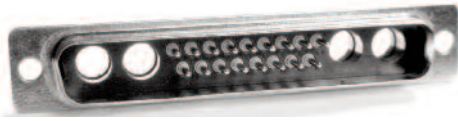
Dimensions shown in mm
Specifications and dimensions subject to change

www.ittcannon.com

Plug, Solder cup, sizes DE – DC, with empty size 8 cavities

Empty size 8 contact cavities with solder pot termination

Plug

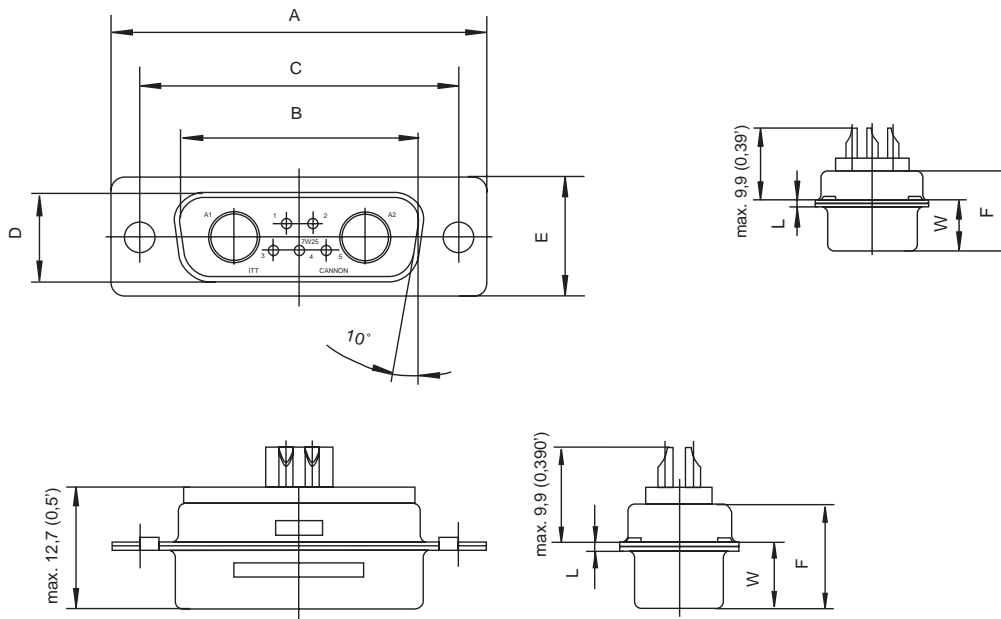


| Shell size | Layout | INDUSTRIAL P/N with through hole | MILITARY/HI-REL P/N with through hole | NON-MAGNETIC/LOW OUTGASSING** P/N with through hole |
|------------|--------|----------------------------------|---------------------------------------|---|
| DE | 2W2 | DEM2W2PK87 | DEMM2W2P | DEM2W2PNMBK52 |
| DE | 2WK2 | DEM2WK2PK87 | DEMM2WK2P | DEM2WK2PNMBK52 |
| DE | 5W1 | DEM5W1PK87 | DEMM5W1P | DEM5W1PNMBK52 |
| DA | 7W2 | DAM7W2PK87 | DAMM7W2P | DAM7W2PNMBK52 |
| DA | 11W1 | DAM11W1PK87 | DAMM11W1P | DAM11W1PNMBK52 |
| DA | 3W3 | DAM3W3PK87 | DAMM3W3P | DAM3W3PNMBK52 |
| DA | 3WK3 | DAM3WK3PK87 | DAMM3WK3P | DAM3WK3PNMBK52 |
| DB | 5W5 | DBM5W5PK87 | DBMM5W5P | DBM5W5PNMBK52 |
| DB | 9W4 | DBM9W4PK87 | DBMM9W4P | DBM9W4PNMBK52 |
| DB | 13W3 | DBM13W3PK87 | DBMM13W3P | DBM13W3PNMBK52 |
| DB | 17W2 | DBM17W2PK87 | DBMM17W2P | DBM17W2PNMBK52 |
| DB | 21W1 | DBM21W1PK87 | DBMM21W1P | DBM21W1PNMBK52 |
| DC | 8W8 | DCM8W8PK87 | DCMM8W8P | DCM8W8PNMBK52 |
| DC | 13W6 | DCM13W6PK87 | DCMM13W6P | DCM13W6PNMBK52 |
| DC | 17W5 | DCM17W5PK87 | DCMM17W5P | DCM17W5PNMBK52 |
| DC | 21WA4 | DCM21WA4PK87 | DCMM21WA4P | DCM21WA4PNMBK52 |
| DC | 25W3 | DCM25W3PK87 | DCMM25W3P | DCM25W3PNMBK52 |
| DC | 27W2 | DCM27W2PK87 | DCMM27W2P | DCM27W2PNMBK52 |

- For contact cavity arrangements, see page 61.
- For mounting methods, see page 59-60.

*For clinch nut 4-40 UNC thread add "E", for float mount add "Y" after D*M designation (Ex. DCMME27W2P, DGM Y27W2PK87) 2W2/2WK2, 3W3/3WK3 (keyed) 5W5 and 8W8 without signal contacts.

** Hardware Modifier not allowed on Non-Magnetic/Low Outgassing Versions; consult factory for more information



Dimensions

| Shell size | A | B | C | D | E | F | W | W | K | K | L |
|------------|---------------|---------------|---------------|---------------|---------------|---------------|-----------------|---------------|-----------------|---------------|---------------|
| | ± 0,38 (.015) | ± 0,13 (.005) | ± 0,13 (.005) | ± 0,13 (.005) | ± 0,38 (.015) | ± 0,25 (.010) | ± 0,368 (.0145) | ± 0,41 (.016) | ± 0,317 (.0125) | ± 0,25 (.010) | ± 0,25 (.010) |
| DE | 30,81 (1.213) | 16,92 (.666) | 24,99 (.984) | 8,36 (.329) | 12,55 (.494) | 10,72 (.422) | 6,693 (.2635) | — | 1,206 (.0475) | — | 0,76 (.030) |
| DA | 39,14 (1.541) | 25,25 (.994) | 33,32 (1.312) | 8,36 (.329) | 12,55 (.494) | 10,72 (.422) | 6,693 (.2635) | — | 1,206 (.0475) | — | 0,76 (.030) |
| DB | 53,04 (2.088) | 38,96 (1.534) | 47,04 (1.852) | 8,36 (.329) | 12,55 (.494) | 10,82 (.426) | — | 6,84 (.269) | — | 1,52 (.060) | 0,99 (.039) |
| DC | 69,32 (2.729) | 55,42 (2.182) | 63,50 (2.500) | 8,36 (.329) | 12,55 (.494) | 10,82 (.426) | — | 6,84 (.269) | — | 1,52 (.060) | 0,99 (.039) |

Dimensions shown in mm
Specifications and dimensions subject to change

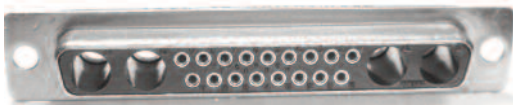
www.ittcannon.com



Receptacle, Solder cup, sizes DE – DC, with empty size 8 cavities

Empty size 8 contact cavities with solder pot termination

Receptacle

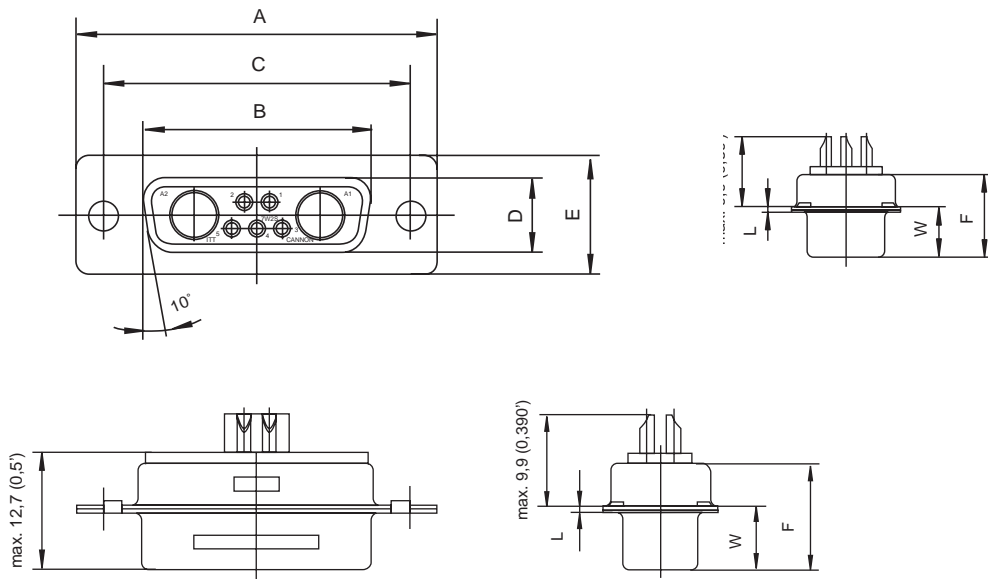


- For contact cavity arrangements, see page 62.
- For mounting methods, see pages 59-60.

| Shell size | Layout | INDUSTRIAL P/N with through hole | MILITARY/HI-REL P/N with through hole | NON-MAGNETIC/LOW OUTGASSING* P/N with through hole |
|------------|--------|----------------------------------|---------------------------------------|--|
| DE | 2W2 | DEM2W2SA197 | DEMM2W2S | DEM2W2SNMBK52 |
| DE | 2WK2 | DEM2WK2SA197 | DEMM2WK2S | DEM2WK2SNMBK52 |
| DE | 5W1 | DEM5W1SA197 | DEMM5W1S | DEM5W1SNMBK52 |
| DA | 7W2 | DAM7W2SA197 | DAMM7W2S | DAM7W2SNMBK52 |
| DA | 11W1 | DAM11W1SA197 | DAMM11W1S | DAM11W1SNMBK52 |
| DA | 3W3 | DAM3W3SA197 | DAMM3W3S | DAM3W3SNMBK52 |
| DA | 3WK3 | DAM3WK3SA197 | DAMM3WK3S | DAM3WK3SNMBK52 |
| DB | 5W5 | DBM5W5SA197 | DBMM5W5S | DBM5W5SNMBK52 |
| DB | 9W4 | DBM9W4SA197 | DBMM9W4S | DBM9W4SNMBK52 |
| DB | 13W3 | DBM13W3SA197 | DBMM13W3S | DBM13W3SNMBK52 |
| DB | 17W2 | DBM17W2SA197 | DBMM17W2S | DBM17W2SNMBK52 |
| DB | 21W1 | DBM21W1SA197 | DBMM21W1S | DBM21W1SNMBK52 |
| DC | 8W8 | DCM8W8SA197 | DCMM8W8S | DCM8W8SNMBK52 |
| DC | 13W6 | DCM13W6SA197 | DCMM13W6S | DCM13W6SNMBK52 |
| DC | 17W5 | DCM17W5SA197 | DCMM17W5S | DCM17W5SNMBK52 |
| DC | 21WA4 | DCM21WA4SA197 | DCMM21WA4S | DCM21WA4SNMBK52 |
| DC | 25W3 | DCM25W3SA197 | DCMM25W3S | DCM25W3SNMBK52 |
| DC | 27W2 | DCM27W2SA197 | DCMM27W2S | DCM27W2SNMBK52 |

*For clinch nut 4-40 UNC thread add "E", for float mount add "Y" after D*M designation (Ex. DCMME27W2P, DGM Y27W2PK87) 2W2/2WK2, 3W3/3WK3 (keyed) 5W5 and 8W8 without signal contacts.

** Hardware Modifier not allowed on Non-Magnetic/Low Outgassing Versions; consult factory for more information



Dimensions

| Shell size | A | B | C | D | E | F | W | K | L |
|------------|---------------|---------------|---------------|---------------|---------------|---------------|---------------|-----------------|---------------|
| | ± 0,38 (.015) | ± 0,13 (.005) | ± 0,13 (.005) | ± 0,13 (.005) | ± 0,38 (.015) | ± 0,25 (.010) | ± 0,38 (.015) | ± 0,317 (.0125) | ± 0,25 (.010) |
| DE | 30,81 (1.213) | 16,33 (.643) | 24,99 (.984) | 7,90 (.311) | 12,55 (.494) | 10,90 (.429) | 6,94 (.273) | 1,206 (.0475) | 0,76 (.030) |
| DA | 39,14 (1.541) | 24,65 (.971) | 33,32 (1.312) | 7,90 (.311) | 12,55 (.494) | 10,90 (.429) | 6,94 (.273) | 1,206 (.0475) | 0,76 (.030) |
| DB | 53,04 (2.088) | 38,38 (1.511) | 47,04 (1.852) | 7,90 (.311) | 12,55 (.494) | 10,90 (.429) | 6,94 (.273) | 1,206 (.0475) | 0,76 (.030) |
| DC | 69,32 (2.729) | 54,84 (2.159) | 63,50 (2.500) | 7,90 (.311) | 12,55 (.494) | 10,90 (.429) | 6,94 (.273) | 1,206 (.0475) | 0,76 (.030) |



Dimensions shown in mm
Specifications and dimensions subject to change

www.ittcannon.com

NASA/GSFC Cross Reference

| NASA/GSFC Part Number | ITT Cannon Part Number | NASA/GSFC Part Number | ITT Cannon Part Number | NASA/GSFC Part Number | ITT Cannon Part Number |
|--|---|--|---|--|---|
| GO8P1 GO8S1 S-311-P-4/6GCP1 S-311-P-4/6GCP2 S-311-P-4/6GCP3 | 030-2042-002 031-1147-002 DM53740-17 DM53740-15 DM53740-16 | 311-P-10-12S-B-15 311-P-10-13P-B-12 311-P-10-13P-B-15 | DBM13W3S-NMB-76 DBM17W2PNMB77 DBM-17W2P-NMB-76 | 311-P-10-24P-B-12 | DDM43W2P-NMB-77 |
| S-311-P-4/6GCP4 S-311-P-4/6GCRP1 S-311-P-4/6GCRP2 S-311-P-4/6GCRP3 S-311-P-4/6GCRP4 | DM53740-18 DM53741-12 DM53741-11 DM53741-10 DM53741-13 | 311-P-10-13S-B-12 311-P-10-14P-B-12 | DBM17W2SNMB77 DBM-21W1P-NMB-77 | 311-P-10-3S-B-12 311-P-10-3P-B-15 | DBM25PNMB77 DBM25PNMB76 |
| S-311-P-4/6GCRS1 S-311-P-4/6GCRS2 S-311-P-4/6GCRS3 S-311-P-4/6GCRS4 S-311-P-4/6GCS1 | DM53743-18 DM53743-16 DM53743-17 DM53743-19 DM53742-18 | 311-P-10-14P-B-15 311-P-10-14S-B-12 311-P-10-14S-B-15 311-P-10-15P-B-12 | DBM-21W1P-NMB-76 DBM-21W1S-NMB-77 DBM-21W1S-NMB-76 DCM-8W8P-NMB-77 | 311-P-10-3S-B-15 311-P-10-4P-B-12 311-P-10-4P-B-15 | DBM-25S-NMB-76 DCM37PNMB77 DCM37PNMB76 |
| S-311-P-4/6GCS2 S-311-P-4/6GCS3 S-311-P-4/6GCS4 S-311-P-4/6GHP6 S-311-P-4/6GHRP6 | DM53742-16 DM53742-17 DM53742-19 DM51157-8 DM51157-5005 | 311-P-10-15P-B-15 311-P-10-15S-B-12 311-P-10-15S-B-15 | DCM8W8PNMB76 DCM-8W8S-NMB-77 DCM8W8SNMB76 | 311-P-10-4S-B-12 311-P-10-4S-B-15 | DCM37SNMB77 DCM-37S-NMB-76 |
| S-311-P-4/6GHS6 S-311-P-4/6GHS6 311P409-1P-B-12 311P409-1P-B-15 311P409-1S-B-12 | DM51155-5005 DM51155-7 DEMA9PNMBK47FO DEMAK9PNMBK47FO DEMA9SNMBK47FO | 311-P-10-16P-B-12 311-P-10-16P-B-15 | DCM-13W6P-NMB-77 DCM-13W6P-NMB-76 | 311-P-10-5P-B-12 311-P-10-5P-B-15 | DDM50PNMB77 DDM50PNMB76 |
| 311P409-1S-B-15 311P409-2P-B-12 311P409-2P-B-15 311P409-2S-B-12 311P409-2S-B-15 | DEMAK9SNMBK47FO DEMA15PNMBK47FO DEMAK15PNMBK47FO DEMA15SNMBK47FO DEMAK15SNMBK47FO | 311-P-10-16S-B-12 | DCM-13W6S-NMB-77 | 311-P-10-5S-B-12 311-P-10-5S-B-15 | DDM50SNMB77 DDM50SNMB76 |
| 311P409-3P-B-12 311P409-3P-B-15 311P409-3S-B-12 311P409-3S-B-15 311P409-4P-B-12 | DEMA25PNMBK47FO DEMAK25PNMBK47FO DEMA25SNMBK47FO DEMAK25SNMBK47FO DEMA37PNMBK47FO | 311-P-10-17P-B-15 311-P-10-17S-B-12 311-P-10-17S-B-15 | DCM-17W5P-NMB-76 DCM-17W5S-NMB-77 DCM17W5S-NMB-76 | 311-P-10-6P-B-15 311-P-10-6S-B-12 311-P-10-7P-B-12 | DEM-5W1P-NMB-76 DEM-5W1P-NMB-76 DEM-5W1S-NMB-77 DAM3W3PNMB77 |
| 311P409-4P-B-15 311P409-4S-B-12 311P409-4S-B-15 311P409-5P-B-12 311P409-5S-B-15 | DEMAK37PNMBK47FO DEMAK37SNMBK47FO DEMAK37SNMBK47FO DEMA50PNMBK47FO DEMAK50PNMBK47FO | 311-P-10-18P-B-12 311-P-10-18P-B-12 | DCM-21WA4P-NMB-77 DCM21WA4P-NMB-76 | 311-P-10-7P-B-15 | DAM-3W3P-NMB-76 |
| 311P409-5S-B-12 311P409-5S-B-15 S-311-P-4/10G1OP1 S-311-P-4/10G1OS1 311-P-10-B-1S-B-15 | DEMA50SNMBK47FO DEMAK50PNMBK47FO 330-5291-081-02 031-1007-052-05 DEMB9S-NMB-76 | 311-P-10-18S-B-12 311-P-10-18S-B-15 311-P-10-19P-B-12 311-P-10-19S-B-12 | DCM-21WA4S-NMB-77 DCM21WA4S-NMB-76 DCM-21W4P-NMB-77 DCM-21W4S-NMB-77 | 311-P-10-8P-B-12 311-P-10-8P-B-15 | DAM-7W2P-NMB-77 DAM-7W2P-NMB-76 |
| 311-P-10-B-4S-B-15 311-P-10-1P-B-12 311-P-10-1P-B-15 | DCMB37S-NMB-76 DEMPPNMB77 DEM-9P-NMB-76 | 311-P-10-2P-B-12 311-P-10-2P-B-15 | DAM15PNMB77 DAM15PNMB76 | 311-P-10-8S-B-12 | DAM-7W2S-NMB-77 |
| 311-P-10-1S-B-12 311-P-10-1S-B-15 | DEM9SNMB77 DEM-9S-NMB-76 | 311-P-10-2S-B-12 | DAM15SNMB77 | 311-P-10-9P-B-12 311-P-10-9P-B-15 | DAM-11W1P-NMB-77 DAM-11W1P-NMB-76 |
| 311-P-10-10P-B-12 311-P-10-10P-B-15 | DBM5W5PNMB77 DBM-5W5P-NMB-76 | 311-P-10-20P-B-12 | DCM-25W3P-NMB-77 | 311-P-10-9S-B-12 311-P-10-9S-B-15 | DAM-11W1S-NMB-77 DAM-11W1S-NMB-76 |
| 311-P-10-10S-B-12 311-P-10-10S-B-15 | DBM-5W5S-NMB-77 DBM-5W5S-NMB-76 | | | 311-P-10B-1S-B-12 | DEMB9SNMB77 |
| 311-P-10-11P-B-12 311-P-10-11S-B-12 | DBM-9W4P-NMB-77 DBM-9W4S-NMB-77 | 311-P-10-22P-B-12 311-P-10-22P-B-15 311-P-10-22S-B-12 311-P-10-22S-B-15 | DDM24W7P-NMB-77 DDM24W7PNMB76 DDM24W7SNMB77 DDM-24W7S-NMB-76 | 311-P-10B-13S-B-15 | DBMB-17W2S-NMB-76 |
| 311-P-10-12P-B-12 311-P-10-12P-B-15 | DBM13W3P-NMB-77 DBM-13W3P-NMB-76 | 311-P-10-23P-B-12 311-P-10-23S-B-12 311-P-10-23S-B-15 | DDM36W4P-NMB-77 DDM-36W4S-NMB-77 DDM36W4SNMB76 | 311-P-10B-17S-B-15 311-P-10B-2S-B-12 | DCMB-17W5S-NMB-76 DAMB15SNMB77 |
| 311-P-10-12S-B-12 | DBM-13W3S-NMB-77 | | | 311-P-10B-22S-B-15 | DDMB-247S-NMB-76 |
| | | | | 311-P-10B-3S-B-12 311-P-10B-3S-B-15 | DBMB-25S-NMB-77 DBMB-25S-NMB-76 |
| | | | | 311-P-10B-4S-B-12 | DCMB-37S-NMB-77 |



NASA/GSFC Cross Reference

| NASA/GSFC Part Number | ITT Cannon Part Number | NASA/GSFC Part Number | ITT Cannon Part Number | NASA/GSFC Part Number | ITT Cannon Part Number |
|-----------------------|------------------------|-----------------------|------------------------|-----------------------|------------------------|
| 311-P-10B-5S-B-12 | DDMB-50S-NMB-77 | 311-P-10B-6S-B-15 | DEMB-5W1S-NMB-76 | 311-P-10B-8S-B-15 | DAMB-7W2S-NMB-76 |
| 311-P-10B-5S-B-15 | DDMB50S-NMB-76 | 311-P-10B-8S-B-12 | DAMB-7W2S-NMB-77 | 311-P-10B-9S-B-12 | DAMB-11W1S-NMB-77 |

ESA/SCC Cross Reference

| ESA-SCC Part Number | ITT Cannon Part Number | ESA-SCC Part Number | ITT Cannon Part Number | ESA-SCC Part Number | ITT Cannon Part Number |
|----------------------------|------------------------|-----------------------------|------------------------|------------------------------|------------------------|
| 340100101B DEM5W1SNMB | DEM5W1SNMBK52 | 340100101B DBM17W2POL3NMB | DBM17W2POL3NMBK52 | 340100101B DAM7W2P1A7NNMB | DAM7W2P1A7NNMBK52 |
| 340100101B DAM3W3SNMB | DAM3W3SNMBK52 | 340100101B DBM21W1POL3NMB | DBM21W1POL3NMBK52 | 340100101B DAM11W1P1A7NNMB | DAM11W1P1A7NNMBK52 |
| 340100101B DAM7W2SNMB | DAM7W2SNMBK52 | 340100101B DCM13W6POL3NMB | DCM13W6POL3NMBK52 | 340100101B DBM9W4P1A7NNMB | DBM9W4P1A7NNMBK52 |
| 340100101B DAM11W1SNMB | DAM11W1SNMBK52 | 340100101B DCM17W5POL3NMB | DCM17W5POL3NMBK52 | 340100101B DBM13W3P1A7NNMB | DBM13W3P1A7NNMBK52 |
| 340100101B DBM5W5SNMB | DBM5W5SNMBK52 | 340100101B DCM21WA4POL3NMB | DCM21WA4POL3NMBK52 | 340100101B DBM17W2P1A7NNMB | DBM17W2P1A7NNMBK52 |
| 340100101B DBM9W4SNMB | DBM9W4SNMBK52 | 340100101B DCM25W3POL3NMB | DCM25W3POL3NMBK52 | 340100101B DBM21W1P1A7NNMB | DBM21W1P1A7NNMBK52 |
| 340100101B DBM13W3SNMB | DBM13W3SNMBK52 | 340100101B DCM27W2POL3NMB | DCM27W2POL3NMBK52 | 340100101B DCM13W6P1A7NNMB | DCM13W6P1A7NNMBK52 |
| 340100101B DBM17W2SNMB | DBM17W2SNMBK52 | 340100101B DDM24W7POL3NMB | DDM24W7POL3NMBK52 | 340100101B DCM17W5P1A7NNMB | DCM17W5P1A7NNMBK52 |
| 340100101B DBM21W1SNMB | DBM21W1SNMBK52 | 340100101B DDM36W4POL3NMB | DDM36W4POL3NMBK52 | 340100101B DCM21WA4P1A7NNMB | DCM21WA4P1A7NNMBK52 |
| 340100101B DCM8W8SNMB | DCM8W8SNMBK52 | 340100101B DDM43W2POL3NMB | DDM43W2POL3NMBK52 | 340100101B DCM25W3P1A7NNMB | DCM25W3P1A7NNMBK52 |
| 340100101B DCM13W6SNMB | DCM13W6SNMBK52 | 340100101B DDM47W1POL3NMB | DDM47W1POL3NMBK52 | 340100101B DCM27W2P1A7NNMB | DCM27W2P1A7NNMBK52 |
| 340100101B DCM17W5SNMB | DCM17W5SNMBK52 | 340100101B DEM5W1S1AONNMB | DEM5W1S1AONNMBK52 | 340100101B DDM24W7P1A7NNMB | DDM24W7P1A7NNMBK52 |
| 340100101B DCM21WA4SNMB | DCM21WA4SNMBK52 | 340100101B DAM7W2S1AONNMB | DAM7W2S1AONNMBK52 | 340100101B DDM36W4P1A7NNMB | DDM36W4P1A7NNMBK52 |
| 340100101B DCM25W3SNMB | DCM25W3SNMBK52 | 340100101B DAM11W1S1AONNMB | DAM11W1S1AONNMBK52 | 340100101B DDM43W2P1A7NNMB | DDM43W2P1A7NNMBK52 |
| 340100101B DCM27W2SNMB | DCM27W2SNMBK52 | 340100101B DBM9W4S1AONNMB | DBM9W4S1AONNMBK52 | 340100101B DDM47W1P1A7NNMB | DDM47W1P1A7NNMBK52 |
| 340100101B DDM24W7SNMB | DDM24W7SNMBK52 | 340100101B DBM13W3S1AONNMB | DBM13W3S1AONNMBK52 | 340100101B DEM5W1S1A9NNMB | DEM5W1S1A9NNMBK52 |
| 340100101B DDM36W4SNMB | DDM36W4SNMBK52 | 340100101B DBM17W2S1AONNMB | DBM17W2S1AONNMBK52 | 340100101B DAM7W2S1A9NNMB | DAM7W2S1A9NNMBK52 |
| 340100101B DDM43W2SNMB | DDM43W2SNMBK52 | 340100101B DBM21W1S1AONNMB | DBM21W1S1AONNMBK52 | 340100101B DAM11W1S1A9NNMB | DAM11W1S1A9NNMBK52 |
| 340100101B DDM47W1SNMB | DDM47W1SNMBK52 | 340100101B DCM13W6S1AONNMB | DCM13W6S1AONNMBK52 | 340100101B DBM9W4S1A9NNMB | DBM9W4S1A9NNMBK52 |
| 340100101B DEM5W1PNMB | DEM5W1PNMBK52 | 340100101B DCM17W5S1AONNMB | DCM17W5S1AONNMBK52 | 340100101B DBM13W3S1A9NNMB | DBM13W3S1A9NNMBK52 |
| 340100101B DAM3W3PNMB | DAM3W3PNMBK52 | 340100101B DCM21WA4S1AONNMB | DCM21WA4S1AONNMBK52 | 340100101B DBM17W2S1A9NNMB | DBM17W2S1A9NNMBK52 |
| 340100101B DAM7W2PNMB | DAM7W2PNMBK52 | 340100101B DCM25W3S1AONNMB | DCM25W3S1AONNMBK52 | 340100101B DBM21W1S1A9NNMB | DBM21W1S1A9NNMBK52 |
| 340100101B DAM11W1PNMB | DAM11W1PNMBK52 | 340100101B DCM27W2S1AONNMB | DCM27W2S1AONNMBK52 | 340100101B DCM13W6S1A9NNMB | DCM13W6S1A9NNMBK52 |
| 340100101B DBM5W5PNMB | DBM5W5PNMBK52 | 340100101B DDM24W7S1AONNMB | DDM24W7S1AONNMBK52 | 340100101B DCM17W5S1A9NNMB | DCM17W5S1A9NNMBK52 |
| 340100101B DBM9W4PNMB | DBM9W4PNMBK52 | 340100101B DDM36W4S1AONNMB | DDM36W4S1AONNMBK52 | 340100101B DCM21WA4S1A9NNMB | DCM21WA4S1A9NNMBK52 |
| 340100101B DBM13W3PNMB | DBM13W3PNMBK52 | 340100101B DDM43W2S1AONNMB | DDM43W2S1AONNMBK52 | 340100101B DCM25W3S1A9NNMB | DCM25W3S1A9NNMBK52 |
| 340100101B DBM17W2PNMB | DBM17W2PNMBK52 | 340100101B DDM47W1S1AONNMB | DDM47W1S1AONNMBK52 | 340100101B DCM27W2S1A9NNMB | DCM27W2S1A9NNMBK52 |
| 340100101B DBM21W1PNMB | DBM21W1PNMBK52 | 340100101B DEM5W1P1AONNMB | DEM5W1P1AONNMBK52 | 340100101B DDM24W7S1A9NNMB | DDM24W7S1A9NNMBK52 |
| 340100101B DCM8W8PNMB | DCM8W8PNMBK52 | 340100101B DAM7W2P1AONNMB | DAM7W2P1AONNMBK52 | 340100101B DDM36W4S1A9NNMB | DDM36W4S1A9NNMBK52 |
| 340100101B DCM13W6PNMB | DCM13W6PNMBK52 | 340100101B DAM11W1P1AONNMB | DAM11W1P1AONNMBK52 | 340100101B DDM43W2S1A9NNMB | DDM43W2S1A9NNMBK52 |
| 340100101B DCM17W5PNMB | DCM17W5PNMBK52 | 340100101B DBM9W4P1AONNMB | DBM9W4P1AONNMBK52 | 340100101B DDM47W1S1A9NNMB | DDM47W1S1A9NNMBK52 |
| 340100101B DCM21WA4PNMB | DCM21WA4PNMBK52 | 340100101B DBM13W3P1AONNMB | DBM13W3P1AONNMBK52 | 340100101B DCM27W2S1A9NNMB | DCM27W2S1A9NNMBK52 |
| 340100101B DCM25W3PNMB | DCM25W3PNMBK52 | 340100101B DBM17W2P1AONNMB | DBM17W2P1AONNMBK52 | 340100101B DAM7W2P1A9NNMB | DAM7W2P1A9NNMBK52 |
| 340100101B DCM27W2PNMB | DCM27W2PNMBK52 | 340100101B DBM21W1P1AONNMB | DBM21W1P1AONNMBK52 | 340100101B DAM11W1P1A9NNMB | DAM11W1P1A9NNMBK52 |
| 340100101B DDM24W7PNMB | DDM24W7PNMBK52 | 340100101B DCM13W6P1AONNMB | DCM13W6P1AONNMBK52 | 340100101B DBM9W4P1A9NNMB | DBM9W4P1A9NNMBK52 |
| 340100101B DDM36W4PNMB | DDM36W4PNMBK52 | 340100101B DCM17W5P1AONNMB | DCM17W5P1AONNMBK52 | 340100101B DBM13W3P1A9NNMB | DBM13W3P1A9NNMBK52 |
| 340100101B DDM43W2PNMB | DDM43W2PNMBK52 | 340100101B DCM21WA4P1AONNMB | DCM21WA4P1AONNMBK52 | 340100101B DBM17W2P1A9NNMB | DBM17W2P1A9NNMBK52 |
| 340100101B DDM47W1PNMB | DDM47W1PNMBK52 | 340100101B DCM25W3P1AONNMB | DCM25W3P1AONNMBK52 | 340100101B DBM21W1P1A9NNMB | DBM21W1P1A9NNMBK52 |
| 340100101B DEM5W1SOL3NMB | DEM5W1SOL3NMBK52 | 340100101B DCM27W2P1AONNMB | DCM27W2P1AONNMBK52 | 340100101B DCM13W6P1A9NNMB | DCM13W6P1A9NNMBK52 |
| 340100101B DAM7W2SOL3NMB | DAM7W2SOL3NMBK52 | 340100101B DDM24W7P1AONNMB | DDM24W7P1AONNMBK52 | 340100101B DBM9W4P1A9NNMB | DBM9W4P1A9NNMBK52 |
| 340100101B DAM11W1SOL3NMB | DAM11W1SOL3NMBK52 | 340100101B DDM36W4P1AONNMB | DDM36W4P1AONNMBK52 | 340100101B DBM13W3P1A9NNMB | DBM13W3P1A9NNMBK52 |
| 340100101B DBM9W4SOL3NMB | DBM9W4SOL3NMBK52 | 340100101B DDM43W2P1AONNMB | DDM43W2P1AONNMBK52 | 340100101B DBM17W2P1A9NNMB | DBM17W2P1A9NNMBK52 |
| 340100101B DBM13W3SOL3NMB | DBM13W3SOL3NMBK52 | 340100101B DDM47W1P1AONNMB | DDM47W1P1AONNMBK52 | 340100101B DAM7W2P1A9NNMB | DAM7W2P1A9NNMBK52 |
| 340100101B DBM17W2SOL3NMB | DBM17W2SOL3NMBK52 | 340100101B DEM5W1S1A7NNMB | DEM5W1S1A7NNMBK52 | 340100101B DAM11W1P1A9NNMB | DAM11W1P1A9NNMBK52 |
| 340100101B DBM21W1SOL3NMB | DBM21W1SOL3NMBK52 | 340100101B DAM7W2S1A7NNMB | DAM7W2S1A7NNMBK52 | 340100101B DDM9W4P1A9NNMB | DDM9W4P1A9NNMBK52 |
| 340100101B DCM13W6SOL3NMB | DCM13W6SOL3NMBK52 | 340100101B DAM11W1S1A7NNMB | DAM11W1S1A7NNMBK52 | 340100101B DBM13W3P1A9NNMB | DBM13W3P1A9NNMBK52 |
| 340100101B DCM17W5SOL3NMB | DCM17W5SOL3NMBK52 | 340100101B DBM9W4S1A7NNMB | DBM9W4S1A7NNMBK52 | 340100101B DBM17W2P1A9NNMB | DBM17W2P1A9NNMBK52 |
| 340100101B DCM21WA4SOL3NMB | DCM21WA4SOL3NMBK52 | 340100101B DBM13W3S1A7NNMB | DBM13W3S1A7NNMBK52 | 340100101B DEM5W1SF179ANMB | DEM5W1SF179ANMBK52 |
| 340100101B DCM25W3SOL3NMB | DCM25W3SOL3NMBK52 | 340100101B DBM17W2S1A7NNMB | DBM17W2S1A7NNMBK52 | 340100101B DAM7W2SF179ANMB | DAM7W2SF179ANMBK52 |
| 340100101B DCM27W2SOL3NMB | DCM27W2SOL3NMBK52 | 340100101B DBM21W1S1A7NNMB | DBM21W1S1A7NNMBK52 | 340100101B DAM11W1SF179ANMB | DAM11W1SF179ANMBK52 |
| 340100101B DDM24W7SOL3NMB | DDM24W7SOL3NMBK52 | 340100101B DCM13W6S1A7NNMB | DCM13W6S1A7NNMBK52 | 340100101B DBM9W4SF179ANMB | DBM9W4SF179ANMBK52 |
| 340100101B DDM36W4SOL3NMB | DDM36W4SOL3NMBK52 | 340100101B DCM17W5S1A7NNMB | DCM17W5S1A7NNMBK52 | 340100101B DBM13W3SF179ANMB | DBM13W3SF179ANMBK52 |
| 340100101B DDM43W2SOL3NMB | DDM43W2SOL3NMBK52 | 340100101B DCM21WA4S1A7NNMB | DCM21WA4S1A7NNMBK52 | 340100101B DBM17W2SF179ANMB | DBM17W2SF179ANMBK52 |
| 340100101B DDM47W1SOL3NMB | DDM47W1SOL3NMBK52 | 340100101B DCM25W3S1A7NNMB | DCM25W3S1A7NNMBK52 | 340100101B DBM21W1SF179ANMB | DBM21W1SF179ANMBK52 |
| 340100101B DEM5W1POL3NMB | DEM5W1POL3NMBK52 | 340100101B DCM27W2S1A7NNMB | DCM27W2S1A7NNMBK52 | 340100101B DAM7W2SF179ANMB | DAM7W2SF179ANMBK52 |
| 340100101B DAM3W3POL3NMB | DAM3W3POL3NMBK52 | 340100101B DDM24W7S1A7NNMB | DDM24W7S1A7NNMBK52 | 340100101B DCM17W5SF179ANMB | DCM17W5SF179ANMBK52 |
| 340100101B DAM7W2POL3NMB | DAM7W2POL3NMBK52 | 340100101B DDM36W4S1A7NNMB | DDM36W4S1A7NNMBK52 | 340100101B DCM21WA4SF179ANMB | DCM21WA4SF179ANMBK52 |
| 340100101B DAM11W1POL3NMB | DAM11W1POL3NMBK52 | 340100101B DDM43W2S1A7NNMB | DDM43W2S1A7NNMBK52 | 340100101B DCM25W3SF179ANMB | DCM25W3SF179ANMBK52 |
| 340100101B DBM9W4POL3NMB | DBM9W4POL3NMBK52 | 340100101B DDM47W1S1A7NNMB | DDM47W1S1A7NNMBK52 | 340100101B DCM27W2SF179ANMB | DCM27W2SF179ANMBK52 |
| 340100101B DBM13W3POL3NMB | DBM13W3POL3NMBK52 | 340100101B DEM5W1P1A7NNMB | DEM5W1P1A7NNMBK52 | 340100101B DCM24W7SF179ANMB | DCM24W7SF179ANMBK52 |



Dimensions shown in mm
Specifications and dimensions subject to change

ESA/SCC Cross Reference

| ESA-SCC Part Number | ITT Cannon Part Number | ESA-SCC Part Number | ITT Cannon Part Number |
|------------------------------|------------------------|---------------------|------------------------|
| 340100101B DDM36W4SF179ANMB | DDM36W4SF179ANMBK52 | 340100415B | DM115740-13 |
| 340100101B DDM43W2SF179ANMB | DDM43W2SF179ANMBK52 | 340100419B | DM115740-12 |
| 340100101B DDM47W1SF179ANMB | DDM47W1SF179ANMBK52 | 340100412B | DM115742-15 |
| 340100101B DEM5W1PF179ANMB | DEM5W1PF179ANMBK52 | 340100416B | DM115742-14 |
| 340100101B DAM7W2PF179ANMB | DAM7W2PF179ANMBK52 | 340100420B | DM115742-13 |
| 340100101B DAM11W1PF179ANMB | DAM11W1PF179ANMBK52 | 340100413B | DM115741-7 |
| 340100101B DBM9W4PF179ANMB | DBM9W4PF179ANMBK52 | 340100417B | DM115741-8 |
| 340100101B DBM13W3PF179ANMB | DBM13W3PF179ANMBK52 | 340100414B | DM115743-20 |
| 340100101B DBM17W2PF179ANMB | DBM17W2PF179ANMBK52 | 340100418B | DM115743-22 |
| 340100101B DBM21W1PF179ANMB | DBM21W1PF179ANMBK52 | 340102207B | DE-59-20 |
| 340100101B DCM13W6PF179ANMB | DCM13W6PF179ANMBK52 | 340102208B | DE-60-20 |
| 340100101B DCM17W5PF179ANMB | DCM17W5PF179ANMBK52 | 340102209B | DA-59-20 |
| 340100101B DCM21WA4PF179ANMB | DCM21WA4PF179ANMBK52 | 340102210B | DA-60-20 |
| 340100101B DCM25W3PF179ANMB | DCM25W3PF179ANMBK52 | 340102211B | DB-59-20 |
| 340100101B DCM27W2PF179ANMB | DCM27W2PF179ANMBK52 | 340102212B | DB-60-20 |
| 340100101B DDM24W7PF179ANMB | DDM24W7PF179ANMBK52 | 340102213B | DC-59-20 |
| 340100101B DDM36W4PF179ANMB | DDM36W4PF179ANMBK52 | 340102214B | DC-60-20 |
| 340100101B DDM43W2PF179ANMB | DDM43W2PF179ANMBK52 | 340102215B | DD-59-20 |
| 340100101B DDM47W1PF179ANMB | DDM47W1PF179ANMBK52 | 340102216B | DD-60-20 |
| 340100101B DEM9SNMB | DEM9SNMBK52 | 340102201B | D20418-52 |
| 340100101B DAM15SNMB | DAM15SNMBK52 | 340102206B | D115418-70 |
| 340100101B DBM25SNMB | DBM25SNMBK52 | 340102258B | D20418-101 |
| 340100101B DCM37SNMB | DCM37SNMBK52 | 340102202B | D20419-74 |
| 340100101B DDM50SNMB | DDM50SNMBK52 | 340102203B | D20419-48 |
| 340100101B DEM9PNMB | DEM9PNMBK52 | 340102204B | D20420-67 |
| 340100101B DAM15PNMB | DAM15PNMBK52 | 340102205B | D20420-49 |
| 340100101B DBM25PNMB | DBM25PNMBK52 | 340102244B | D20419-73 |
| 340100101B DCM37PNMB | DCM37PNMBK52 | 340102245B | D20419-84 |
| 340100101B DDM50PNMB | DDM50PNMBK52 | 340102246B | D20420-63 |
| 340100101B DEM9SOL3NMB | DEM9SOL3NMBK52 | 340102247B | D20420-88 |
| 340100101B DAM15SOL3NMB | DAM15SOL3NMBK52 | 340102225B | DA19678-167 |
| 340100101B DBM25SOL3NMB | DBM25SOL3NMBK52 | 340102226B | DB19678-168 |
| 340100101B DCM37SOL3NMB | DCM37SOL3NMBK52 | 340102227B | DC19678-138 |
| 340100101B DDM50SOL3NMB | DDM50SOL3NMBK52 | 340102228B | DD19678-161 |
| 340100101B DEM9POL3NMB | DEM9POL3NMBK52 | 340102239B | DE19977-47 |
| 340100101B DAM15POL3NMB | DAM15POL3NMBK52 | 340102240B | DA19977-40 |
| 340100101B DBM25POL3NMB | DBM25POL3NMBK52 | 340102241B | DB19977-43 |
| 340100101B DCM37POL3NMB | DCM37POL3NMBK52 | 340102242B | DC19977-45 |
| 340100101B DDM50POL3NMB | DDM50POL3NMBK52 | 340102243B | DD19977-44 |
| 340100101B DEM9S1AONNMB | DEM9S1AONNMBK52 | 340102234B | DE24657-16 |
| 340100101B DAM15S1AONNMB | DAM15S1AONNMBK52 | 340102235B | DA24658-15 |
| 340100101B DBM25S1AONNMB | DBM25S1AONNMBK52 | 340102236B | DB24659-15 |
| 340100101B DCM37S1AONNMB | DCM37S1AONNMBK52 | 340102237B | DC24660-16 |
| 340100101B DDM50S1AONNMB | DDM50S1AONNMBK52 | 340102238B | DD24661-13 |
| 340100101B DEM9P1AONNMB | DEM9P1AONNMBK52 | 340102229B | DE115386-101A |
| 340100101B DAM15P1AONNMB | DAM15P1AONNMBK52 | 340102230B | DA115386-104A |
| 340100101B DBM25P1AONNMB | DBM25P1AONNMBK52 | 340102231B | DB115386-102A |
| 340100101B DCM37P1AONNMB | DCM37P1AONNMBK52 | 340102232B | DC115386-100A |
| 340100101B DDM50P1AONNMB | DDM50P1AONNMBK52 | 340102233B | DD115386-103A |
| 340100101B DEM9S1A7NNMB | DEM9S1A7NNMBK52 | 340100501B | 030-8882-002 |
| 340100101B DAM15S1A7NNMB | DAM15S1A7NNMBK52 | 340100502B | 031-8944-000 |
| 340100101B DBM25S1A7NNMB | DBM25S1A7NNMBK52 | 340100503B | 030-8848-020 |
| 340100101B DCM37S1A7NNMB | DCM37S1A7NNMBK52 | 340100504B | 031-8787-020 |
| 340100101B DDM50S1A7NNMB | DDM50S1A7NNMBK52 | 340100505B | 330-8782-001 |
| 340100101B DEM9P1A7NNMB | DEM9P1A7NNMBK52 | 340100506B | 031-8843-001 |
| 340100101B DAM15P1A7NNMB | DAM15P1A7NNMBK52 | 340100507B | 330-8944-000 |
| 340100101B DBM25P1A7NNMB | DBM25P1A7NNMBK52 | 340100508B | 031-8902-000 |
| 340100101B DCM37P1A7NNMB | DCM37P1A7NNMBK52 | | |
| 340100101B DDM50P1A7NNMB | DDM50P1A7NNMBK52 | | |
| 340100101B DEM9S1A9NNMB | DEM9S1A9NNMBK52 | | |

