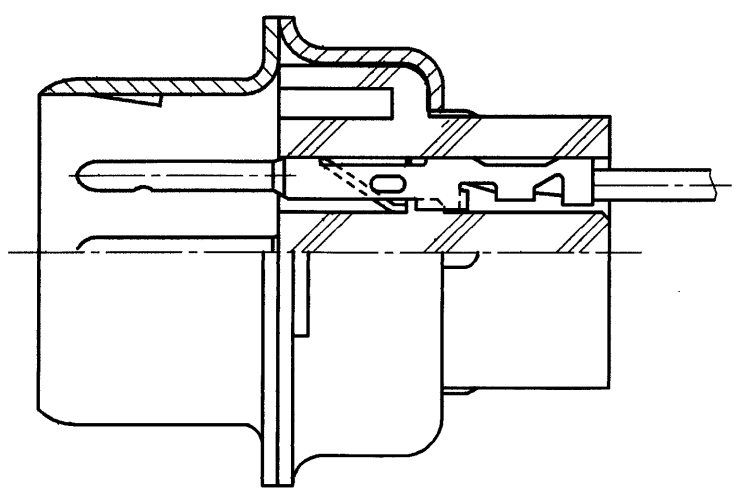
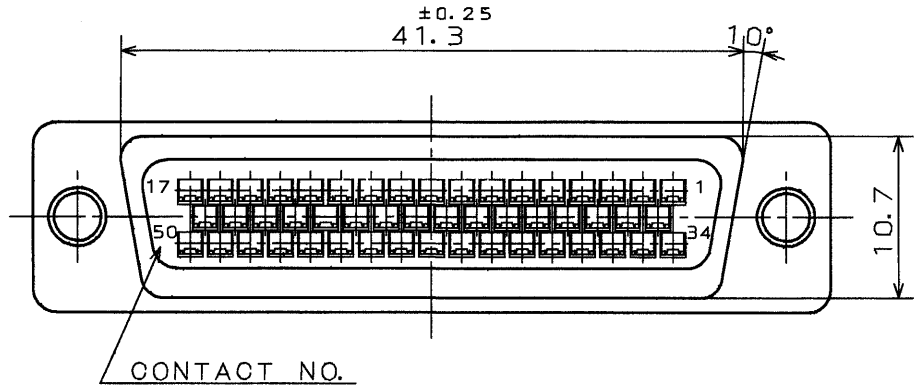
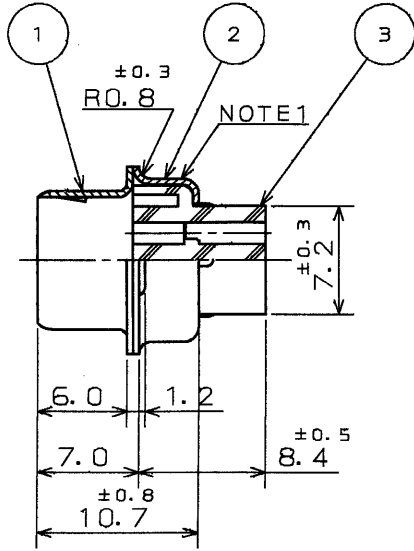
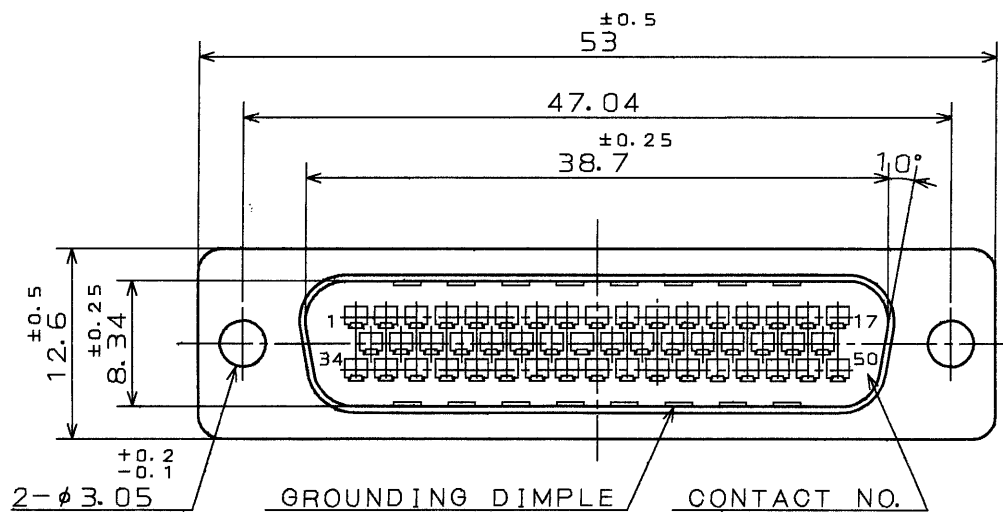


DWG. NO. SJ021505-E

SYM	DCN NO.	DESCRIPTION	DATE	DRAWN	CHECKED	APP' D	APP' D



CONTACT INSERTED

- NOTE 1. MARKS "JAE" & PART NO. ARE SHOWN ON THIS PORTION.  
 "-FO" IS NOT MARKED ON CONNECTOR.
- FOR CONTACT ARRANGEMENTS SEE DWG. SJ017233.
  - FOR PANEL COTOUT DIMENSIONS SEE DWG. SJ013596.
  - CONTACT TO BE ORDERED SEPARATELY.

DIMENSIONS ARE IN MILLIMETERS  
 TOLERANCES ON: (INCHES)

DIMENSION	TOLERANCE	ANGLES	CONCENTRICITY
. ±	± 0.4	X° ± 1°	WITHIN T. I. R.
.X ±	± 0.13	X°X' ±	
.XX ±			
.XXX ±			

3	INSULATOR	1	GLASS FILLED NYLON	(COLOR:BLACK)	UL94 V-0
2	REAR SHELL	1	STEEL	NICKEL PLATE	
1	FRONT SHELL	1	STEEL	NICKEL PLATE	
ITEM	DESCRIPTION	Q'TY	MATERIAL	FINISH	REMARKS
REFERENCE DOCUMENT		DATE	SCALE	JAE-CONNECTOR.COM	
JACS-3050-2		30. OCT. '90	2:1	MUSASHINO AVIATION ELECTRONICS INDUSTRY, LTD.	
MATERIAL		DRAWN	TITLE		
		H. KATO	D02-50PF-N-FO		
TREATMENT		CHECKED	Reference Only		
		Y. OTSUKA	JAE		
FINISH		APP' D	MUSASHINO, AKISHIMA-SHI TOKYO, JAPAN		
		Y. NISHINO	SERIES	DWG. NO.	
			D02	SJ021505-E	

DCF-116A



SIZE A3 CDS-1201