

[TOP](#) > [DA1R010H91E](#)
Product List

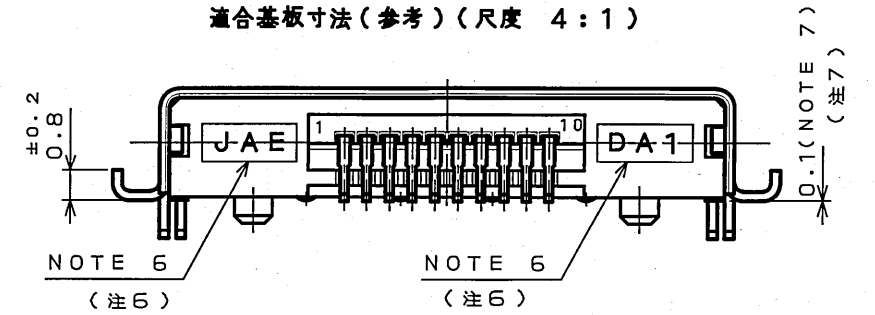
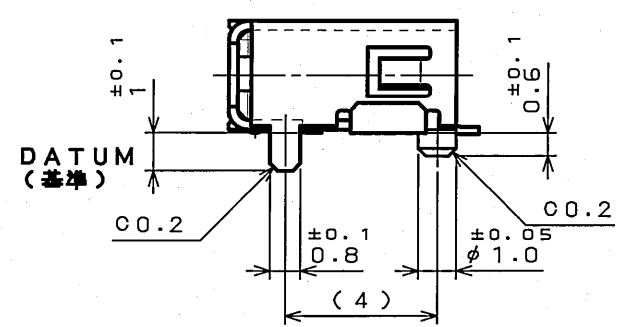
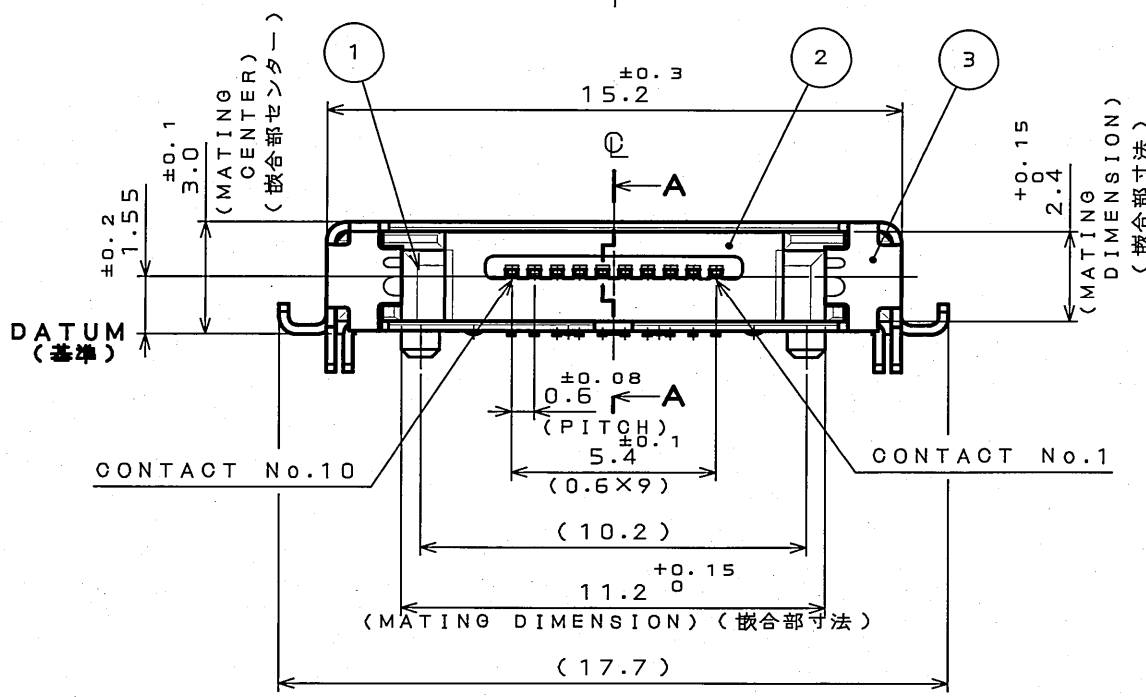
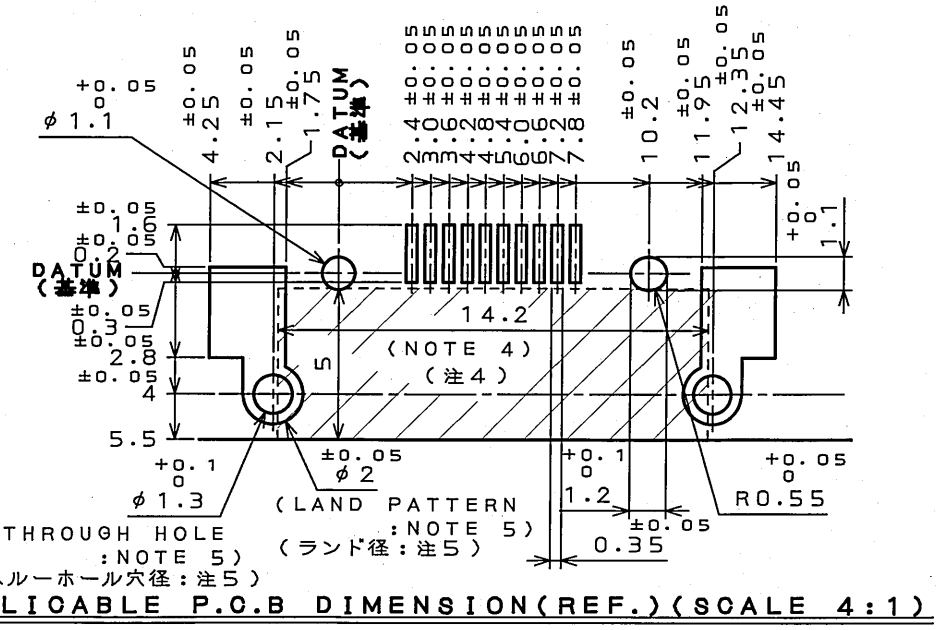
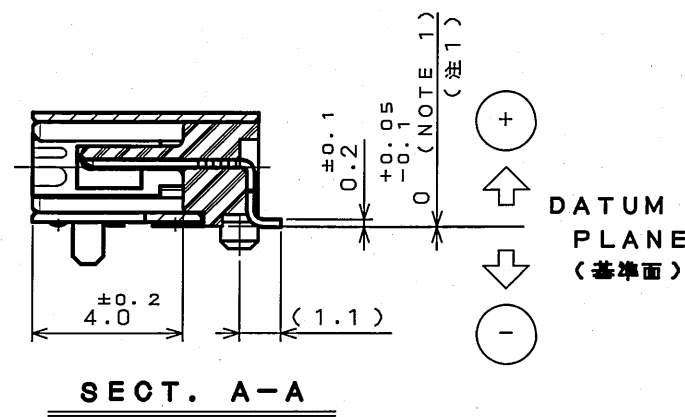
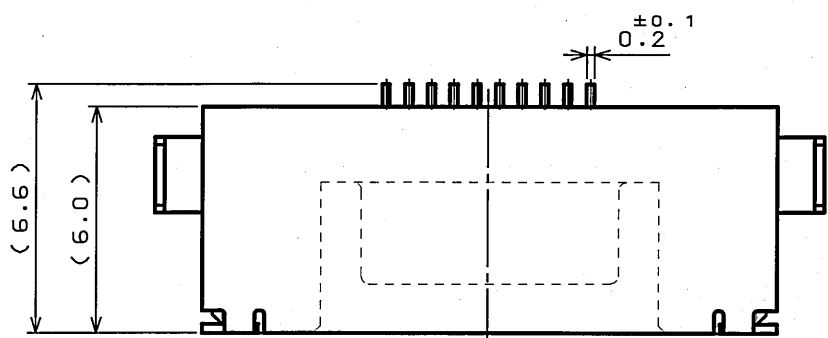
Product Name	DA1R010H91E
Series Name	DA1 Series
RoHS compliant	Yes
Number of positions	10
Connector type	Receptacle
PCB orientation	Right angle
SMD flag	TRUE
PCB mounting method	Soldering
Wire termination method	
Mount type	
Material of contact	Copper alloy
Finish of contact in contact area	Gold flash over Palladium Nickel over Nickel
Finish of contact in PCB mounting area	Gold flash over Nickel
Finish of contact in terminal area	
Hood	
PCB boardlock feature	Hold-down
Remarks	
Related Documents	DWG 170Kbytes
Pair	DA1B010H91E DA1P010M94E DA1P010M95E DA1B010H92E

Notice:

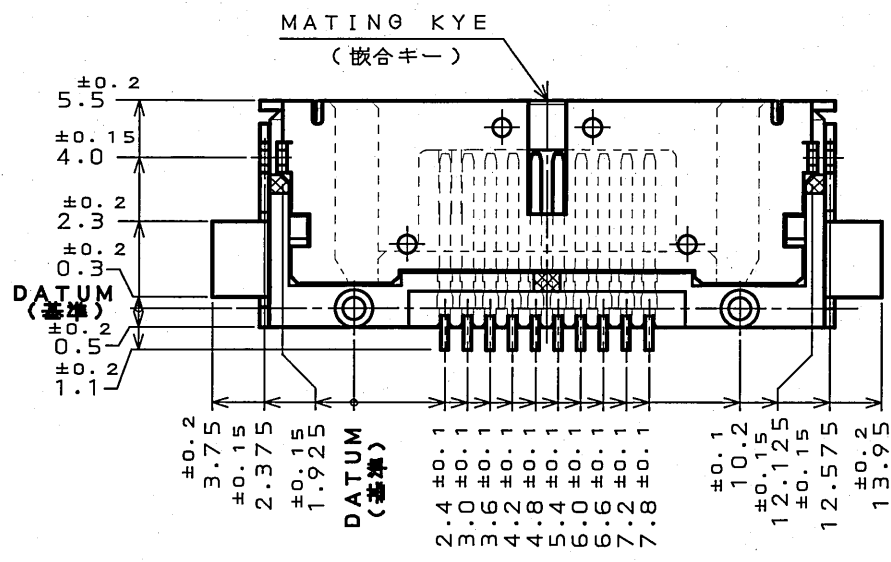
SJ038450
(DRAWING NO.)

- 注1. SMT公差部のプラス、マイナスの方向を示す。端子寸法は $0^{+0.05}_{-0.1}$ であり公差内におけるバラツキ(1コネクタ内のMAX値とMIN値の差)は、0.1以下とする。
- △2. 接触部は、ニッケル(1.5μm以上)上パラジウムニッケル(0.4μm以上)上金フラッシュメッキ(0.03μm以上)結線部は、ニッケル(1.5μm以上)上金フラッシュメッキ(0.03μm以上)である。
3. 本コネクタシェル半田付部破断面には、メッキは施されません。
4. 本斜線部内にはパターンを配線しないよう願います。
5. ランドは基板の両面に設けること。又、φ1.3の穴はスルーホールメッキであること。
6. 図示の位置に社標 "JAE" 及び品名 "DA1" を表示する。
7. 基板にのせた状態でホールドダウン部の浮きは0.1以下のこと。

版数 REV.	年月日 DATE	DCN NO.	変更内容 DESCRIPTION	製図 DR.	担当 CHK.	査閲 APPD.	承認 APPD.
2	16.06.2004	056414	FINISH CHANGE、OTHERS		Y.TAKAGI		<i>J. Kubota</i>



- NOTE1 ⊕ AND ⊖ DENOTE ARE DIRECTION OF SMT TOLERANCE. TERMINAL DIMENSION IS $0^{+0.05}_{-0.1}$, AND DEVIATION (DIMENSION BETWEEN MINUS VALUE & PLUS VALUE) SHALL BE 0.1 MAX.
- △ 2. THE CONNECTING AREA IS PLATED WITH GOLD FLASH(0.03μmMin) OVER Pd-Ni(0.4μmMin) OVER NICKEL(1.5μmMin). THE TERMINAL AREA IS PLATED WITH GOLD FLASH(0.03μmMin) OVER NICKEL(1.5μmMin).
3. THE SHEARED EDGES OF CONNECTOR SHELL AT THE SOLDER AREA ARE NOT PLATING.
4. PLEASE NO PATTERNING IN SLANT AREA.
5. LAND MARK BOTH SIDES OF P.C.B. HOLE OF φ1.3 IS THROUGH HOLE PLATED.
6. COMPANY LOGO "JAE" AND PART NUMBER "DA1" ARE MARKED AS INDICATED.
7. THE FLOATAGE OF THE HOLD DOWN AREA IN 0.1mmMAX WHILE PUT ON THE P.C.B.

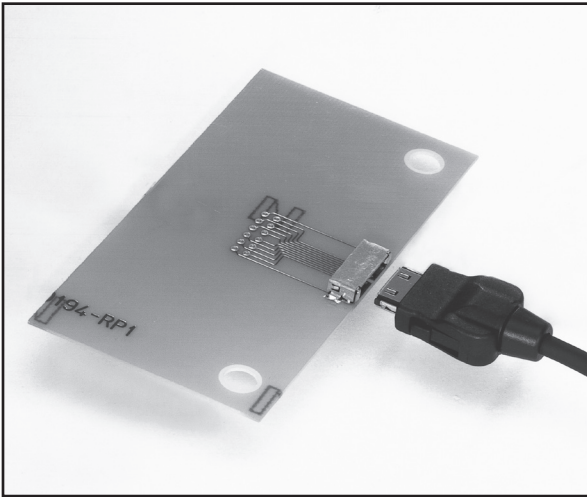


符号 NO.	名称 DESCRIPTION	個数 QTY.	材料 MATERIAL	仕上 FINISH	備考 REMARKS
3	SHELL	1	STAINLESS STEEL	(LEAD FREE) TIN/TIN ALLOY	
2	INSULATOR	1	PPS		UL94V-0
1	CONTACT	10	COPPER ALLOY	NOTE 2	
仕様書 (SPECIFICATION) JACS-3192		第1版 (ORIGINAL DATE) 3.Mar.2003		尺度 (SCALE) 5:1	シリーズ (SERIES) DA1
製図 DR. H.SAKURADA		担当 CHK. Y.TAKAGI		名称 (TITLE) DA1R010H91E	
査閲 APPD.		承認 APPD. Y.KUBOTA		質量 (MASS)	
図面番号 (DRAWING NO.) SJ038450		版数 (REV.) 2		日本航空電子工業株式会社 JAPAN AVIATION ELECTRONICS INDUSTRY, LTD.	

LEAD FREE この製品は鉛フリー品です

DA1 SERIES CONNECTORS

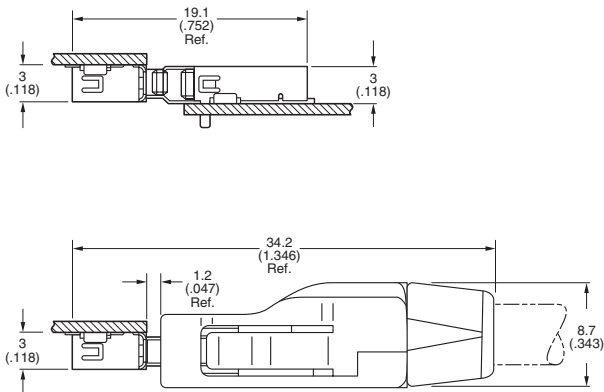
0.60mm (.024") Contact Spacing, PCB-to-Cable Connectors



FEATURES

- Mating height 3.0mm (.012"), mounting space reduced, 0.60mm (.024") pitch single line SMT interface connector
- Metal shell provides shielding against EMI and static electricity
- Side locking system
- Board mounting plug for cradle (catcher) available for 18 contact version
- Receptacles and cradles available in embossed tape for automatic SMT mounting

Connector Profile (Ref.)



.....

DA1 Series connectors are low profile SMT compact interface connectors for use in compact and slim mobile information terminal devices such as PDAs, HPCs, and notebook PCs.

GENERAL SPECIFICATIONS

Number of Contacts	10, 18, and 26
Contact Spacing	0.60mm (.024")
Current Rating	0.5 Amp Signal per contact 1 Amp Power per contact
Dielectric Withstanding Voltage	250 VAC r.m.s. (for one minute)
Insulation Resistance	100 megohms min.
Contact Resistance	50 milliohms max.
Operating Temperature	-25°C to +75°C
Applicable Wire Sizes	AWG #28 max.

MATERIALS AND FINISHES

Description	Materials/Finishes
Insulator	Nylon (UL94V-0, Black)
Pin Contact	Copper Alloy, Gold plating over Lead-Nickel
Lead Contact	Tin-Lead plating
Shell	Steel, Nickel plating

ORDERING INFORMATION

	DA1	-	*	-	0*	-	*	-	9	-	*	E
Series												
Contact Type												
R – Receptacle												
P – Plug												
B – Cradle												
No. of Contacts												
10, 18 and 26												
Termination												
H – Right angle with Hold-down (10 and 18 position only)												
L – Right angle without Hold-down (26 position only)												
M – Cable Plug												
Contact Finish												
9 – Gold plating Palladium Nickel												
Modification Code												
Consult JAE												
Lead Free Version												

Dimensions and specifications subject to change without notice.