

HDMI 2.1 Specification Approved

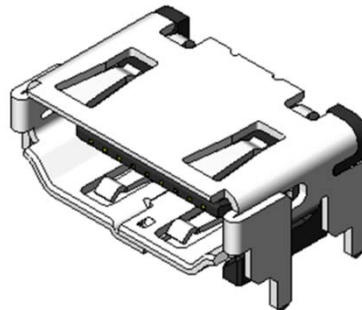
CONNECTOR

# DC04 Series

MB-0345-1

June 2019

**RoHS Compliant**



Recently, interface connectors compatible with higher speed data transmission and bandwidth are being required in the audiovisual market to support higher resolutions and faster refresh rates.

The DC04 Series is an HDMI 2.1 Specification approved connector family supporting 4K120Hz, 8K60Hz, and dynamic HDR formats. These connectors have been designed to meet or exceed signal integrity requirements to give the best end user experience.

Note 1) HDMI (High-Definition Multimedia Interface) is a registered trademark of the HDMI Licensing Administrator Inc.

**Applicable Markets**

Audiovisual applications such as TV's, monitors, projectors, AV receivers and soundbars, set-top boxes, BD players, gaming system, digital cameras, graphics cards, and video boards

**Features**

- **HDMI 2.1 Specification approved connectors (supporting 48Gbps bandwidth)**
  - Reduced crosstalk by optimizing the position of each channel's terminals
  - Impedance characteristics improved with molded-in contacts
  - Enhanced robustness with original structure of shell tip
  - Contact tip in mating area is protected by insulator for improved reliability

**General Specifications**

Number of Contacts	19 positions
Dielectric Withstanding Voltage	AC 500V r.m.s
Rated Current	0.5A
Insulation Resistance	100 MΩ min.
Operating Temperature	-25°C ~ +85°C

Product Line-up

Receptacle (Type A connector)

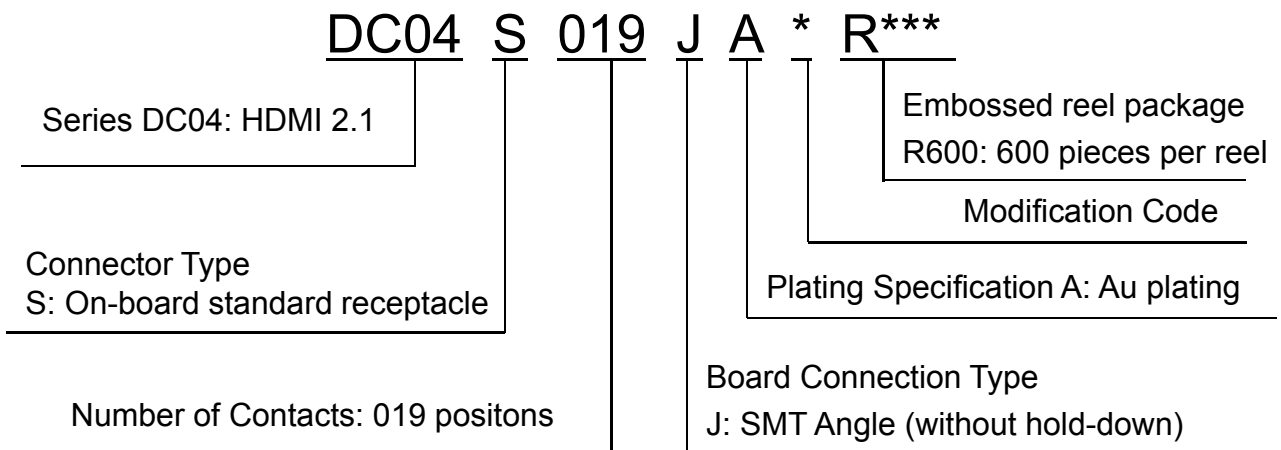
Type	Product Type	Part Number	Drawing Number	Specification
Without Flange	Individual Product	DC04S019JA1	SJ120821	JACS-30402
	Reeled Product (600 pcs. per reel)	DC04S019JA1R600	SJ120822	
Without Flange (different shell T/H length)	Individual Product	DC04S019JA2	SJ121230	
	Reeled Product (600 pcs. per reel)	DC04S019JA2R600	SJ121231	

Materials and Finishes

Receptacle (Type A connector)

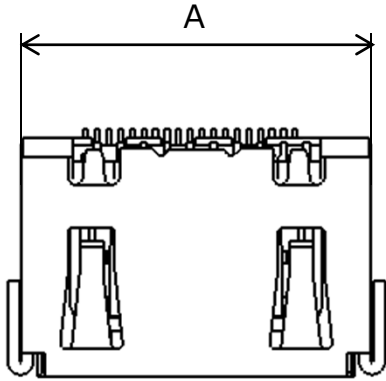
Components	Material / Finish
Insulator	Heat-resistant plastic
Contact	Copper alloy / Au plating over Ni
Shell	Copper alloy / Ni plating

Ordering Information

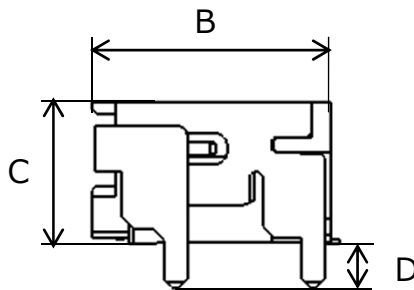
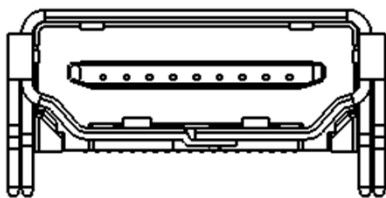


Outer Dimensions

Receptacle (Type A connector)



Part Number	A	B	C	D
DC04S019JA1	15	10.25	6.1	1.9
DC04S019JA2				1.18



**Notice:**

1. The values specified in this brochure are only for reference. The products and their specifications are subject to change without notice. Contact our sales staff for further information before considering or ordering any of our products. For purchase, a product specification must be agreed upon.
2. Users are requested to provide protection circuits and redundancy circuits to ensure safety of the equipment, and sufficiently review the suitability of JAE's products to the equipment.
3. The products presented in this brochure are designed for the uses recommended below. We strongly suggest you contact our sales staff when considering use of any of the products in any other way than the recommended applications or for a specific use that requires an extremely high reliability.
  - (1) Applications that require consultation:
    - (i) Please contact us if you are considering use involving a quality assurance program that you specify or that is peculiar to the industry, such as:  
Automotive electrical components, train control, telecommunications devices (mainline), traffic light control, electric power, combustion control, fire prevention or security systems, disaster prevention equipment, etc.
    - (ii) We may separately give you our support with a quality assurance program that you specify, when you think of a use such as :  
Aviation or space equipment, submarine repeaters, nuclear power control systems, medical equipment for life support, etc.
  - (2) Recommended applications include:  
Computers, office appliances, telecommunications devices (terminals, mobile units), measuring equipment, audiovisual equipment, home electric appliances, factory automation equipment, etc.

**Japan Aviation Electronics Industry, Limited**

Product Marketing Division  
 Aobadai Building, 3-1-19, Aobadai, Meguro-ku, Tokyo 153-8539  
 Phone: +81-3-3780-2882 FAX: +81-3-3780-2946

\* The specifications in this brochure are subject to change without notice. Please contact JAE for information.