


[TOP](#) > [DD1P030MA1](#)

Product List

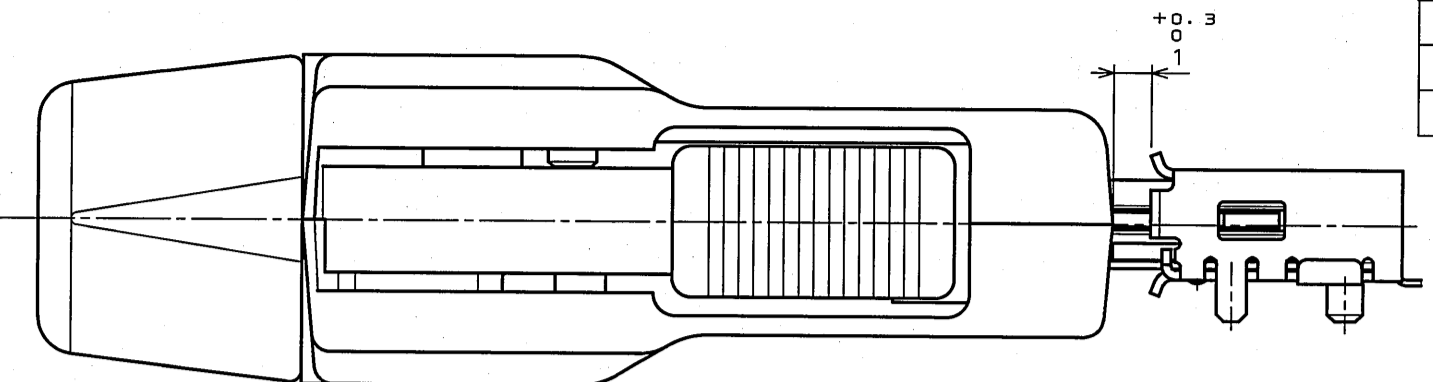
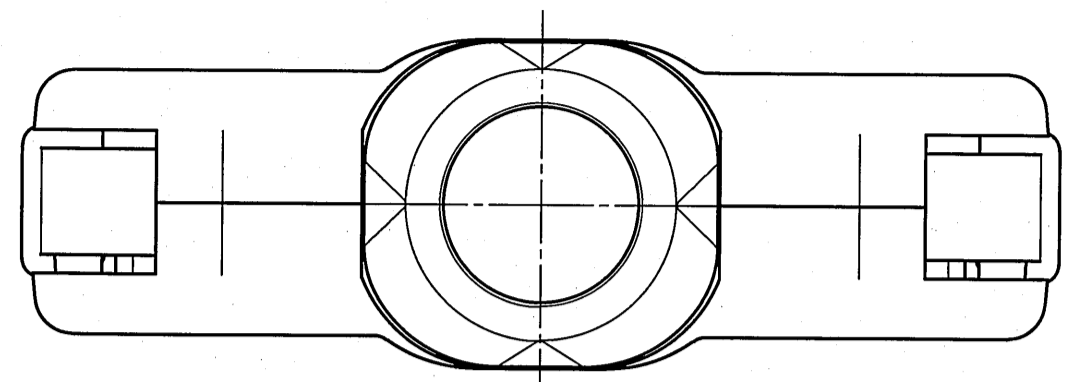
Product Name	DD1P030MA1
Series Name	DD1 Series
Number of positions	30
Connector type	Plug
PCB orientation	-
SMD flag	FALSE
PCB mounting method	-
Wire termination method	Soldering
Material of contact	Copper alloy
Finish of contact in contact area	Gold over Nickel
Finish of contact in PCB mounting area	
Finish of contact in terminal area	Gold flash over Nickel
Remarks	
Related Documents	 173Kbytes
Pair	DD1R030HA1R1300 DD1R030JA7R1300

Notice:

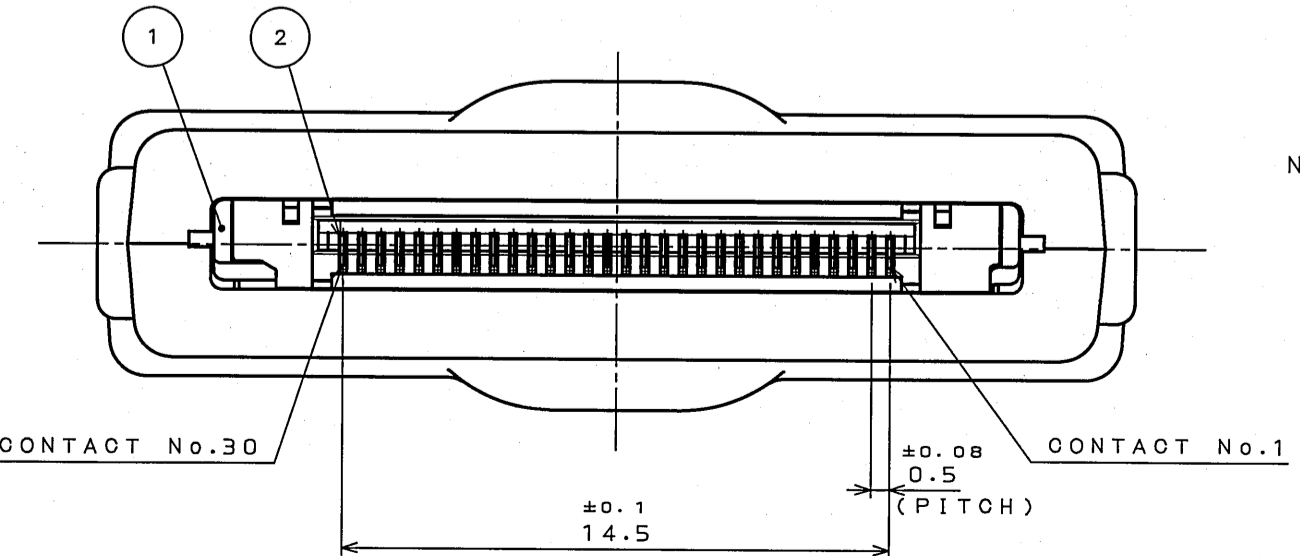
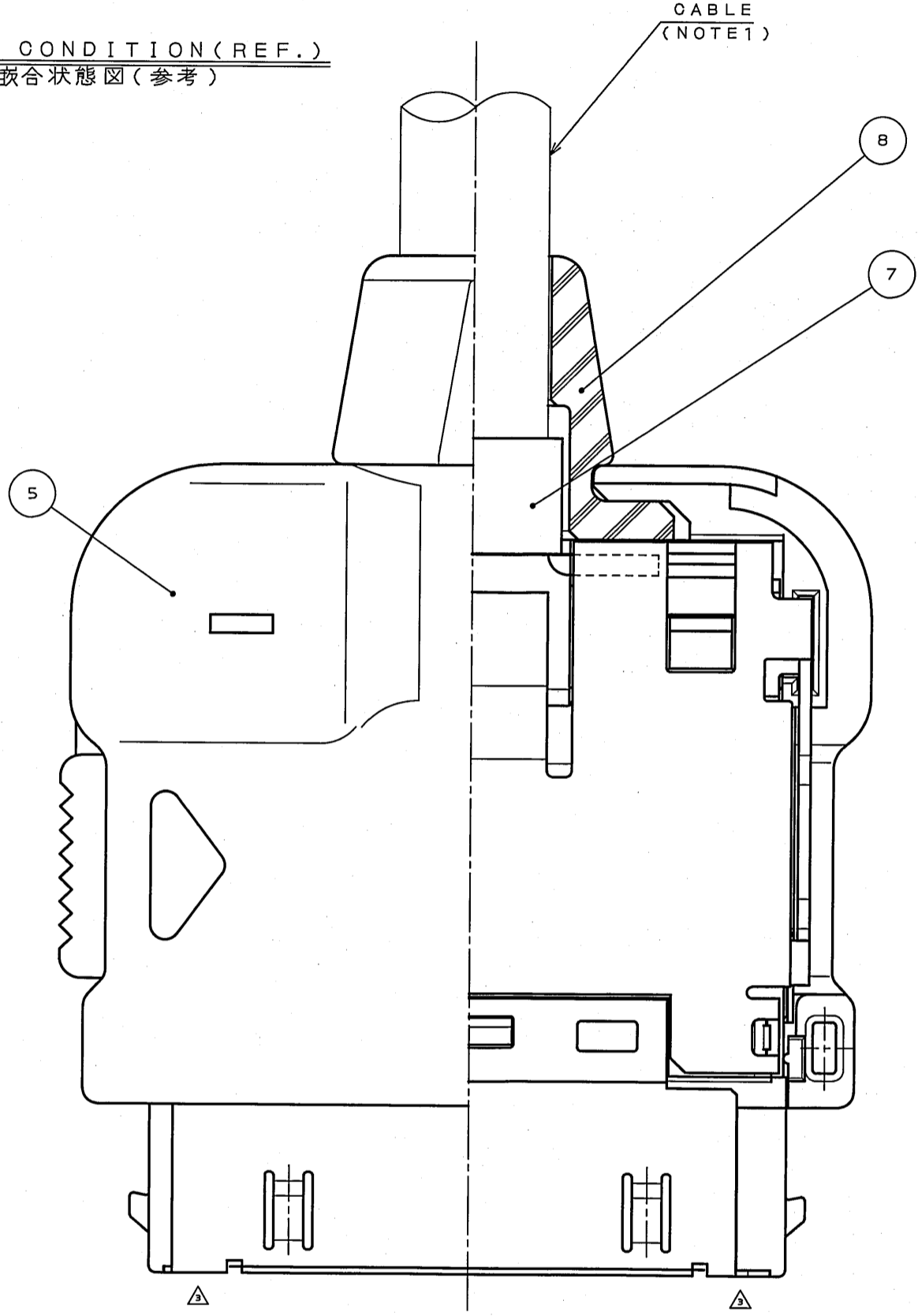
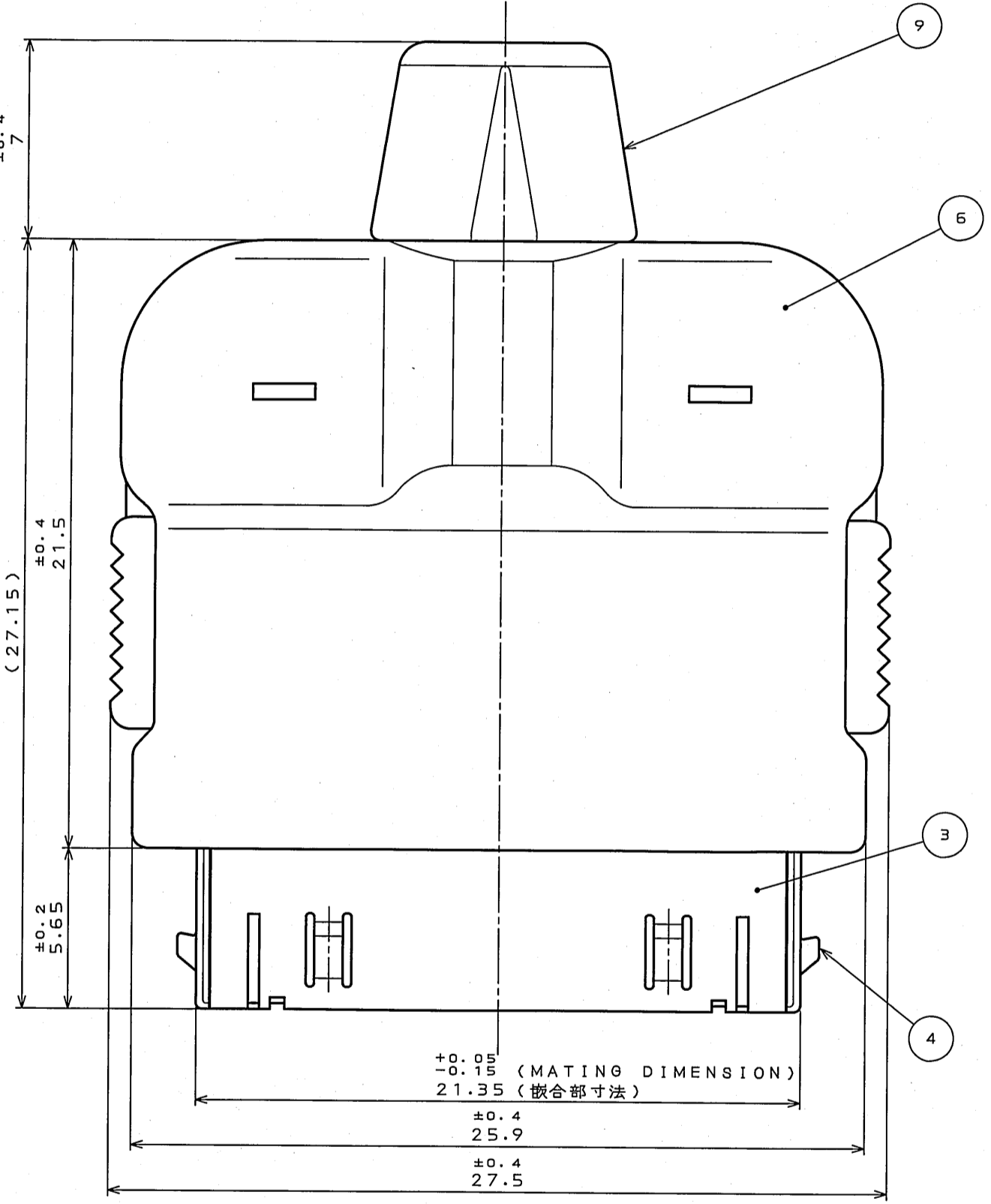
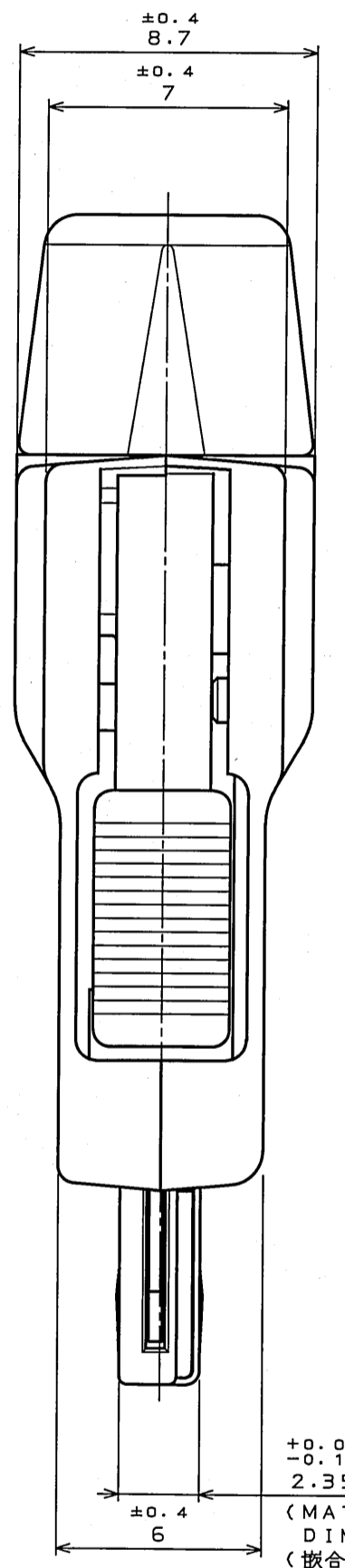
- The values specified in this web site are only for reference. The products and their specifications are subject to change without notice. Contact our sales staff for further information before considering or ordering any of our products.
For purchase, a product specification must be agreed upon.
- Users are requested to provide protection circuits and redundancy circuits to ensure safety of the equipment, and sufficiently review the suitability of JAE's products to the equipment.
- The products presented in this web site are designed for the uses recommended below. We strongly suggest you contact our sales staff when considering use of any of the products in any other way than the recommended applications or for a specific use that requires an extremely high reliability.

(1) Applications that require consultation:

版数 REV.	年月日 DATE	DCN NO.	変更内容 DESCRIPTION	製図 DR.	担当 CHK.	査閲 APPD.	承認 APPD.
2	2.Dec.2004	056340	CORRECTED FINISH		Y.KUROKI		I.IIMORI
3	15.Mar.2005	056934	SHAPE CHANGE		Y.KUROKI		G.Haga



MATED CONDITION (REF.)
嵌合状態図(参考)



NOTE1. OUTER DIAMETER OF THE APPLICABLE CABLE: $\phi 5 \pm 0.2$.
 2. THE INSULATOR ASSEMBLED WITH CONTACT IS SUPPLIED. THE OTHER PARTS ARE ATTACHED.
 注1. 適合ケーブル仕上がり外形: $\phi 5 \pm 0.2$.
 2. コンタクトは、インシュレータに組み込まれた状態で納入される。その他の部品は、バラの状態での納入される。

NO.	DESCRIPTION	QTY.	MATERIAL	仕上 FINISH	備考 REMARKS
8	BUSHING	1	PVC	(BLACK)	UL94V-0
7	CLAMP BARREL	1	COPPER ALLOY	NICKEL PLATING	
6	HOOD B	1	PC	(BLACK)	UL94V-0
5	HOOD A	1	PC	(BLACK)	UL94V-0
4	LOCK SPRING	1	STAINLESS STEEL	NICKEL PLATING	
3	SHELL	1	STAINLESS STEEL	NICKEL PLATING	
2	CONTACT	30	COPPER ALLOY	CONTACT AREA: GOLD OVER NICKEL TERMINAL AREA: GOLD FRASH PLATING	△
1	INSULATOR	1	PT NYLON	(BLACK)	UL94V-0

符号 NO.	名称 DESCRIPTION	個数 QTY.	材料 MATERIAL	仕上 FINISH	備考 REMARKS
△	JACS-3285				

第1版 (ORIGINAL DATE)	4.Mar.2004	尺度 (SCALE)	5:1	シリーズ (SERIES)	DD1
製図 DR.		名称 (TITLE)	DD1P030MA1		
担当 CHK.	Y.KUROKI	製図 APPD.		承認 APPD.	H.AMEMIYA
公差 (GENERAL TOLERANCE)	. ±, .X ±, .XX ±, .XXX ±				
寸法 (DIMENSION)	角度 (ANGLES) X°, X'X", XXX°				
質量 (MASS)					

日本航空電子工業株式会社
 JAPAN AVIATION ELECTRONICS INDUSTRY, LTD.
 図面番号 (DRAWING NO.) SJ100603
 版数 (REV.) 3

DOF-0-213E(03.08)

NEW



0.5mm pitch stroke connector conforming to USB2.0 Standard

CONNECTOR

MB-0111-5

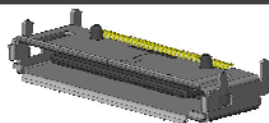
November 2006

DD1 Series

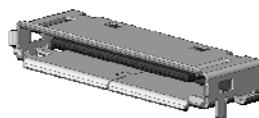
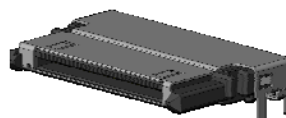
RoHS Compliant



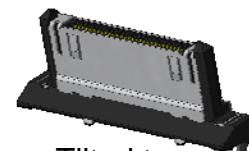
[Plug]



Reverse type

Standard type
[Receptacle]

Angle type



Tilted type

[Cradle]

The DD1 series of connectors are single-line rectangular I/O connectors with 0.5mm pitch stroke conforming to USB2.0 Standard.

Features

- Enhanced twisting resistance at mating/ unmating through equipping a guide rail
- Secure ground connection for EMI prevention
- Conforms to transmission specified in USB2.0 Standard
- PB free

Receptacle

- Occupied volume on chassis was considered at design and small package was achieved.
- Available in standard and reverse mounting type to respond to various mounting situations.
- Hot-plug structure
- Available on embossed tape for automatic mounting

Cradle

- Available in two types. Angle type, which expands cradle designing capacity, and tilted type, slanted at a 75 degree angle to the board.
- 13.8mm depth was achieved, which enables minimizing the occupied area on PCB
- Alignment guide structure: guide range of 1.0mm min. (receptacle ↔ cradle)
- Angle type available on embossed tape for automatic mounting.
Tilted type available in exclusive tray.

Plug

- Side-lock type
- Simple part structure enables simple wire termination.
- Standard cable diameter 5.0mm. Cables with other diameters can also be applied.

General Specifications

- | | |
|--|--|
| ■ No. of contacts : 30 pos. | ■ Rated current: for signal 0.5A
for power 1.0A |
| ■ Contact resistance:
50m ohm max. (initial) | ■ Rated voltage: AC 30Vr.m.s |
| ■ Dielectric withstanding voltage :
DC500V per minute | ■ Operating temperature:
-25 Deg. C to +75 Deg. C |
| ■ Insulation resistance:
1,000M ohm min. (initial) | ■ Mating cycle: 10,000 times |

Materials and Finishes

Receptacle

Components	Materials/ Finishes
Contact	Copper alloy/ Contact: Au plating over Ni Terminal: Au flash plating over Ni
Insulator	Glass filled nylon resin
Shell	Stainless steel/ Sn plating over Ni

Cradle

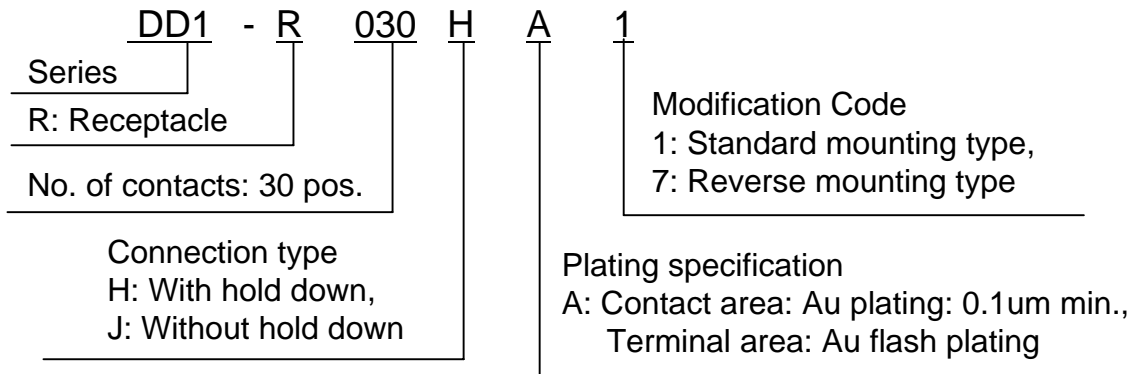
Components	Materials/ Finishes
Contact	Copper alloy/ Contact: Au plating over Ni Terminal: Au flash plating over Ni
Insulator	Glass filled nylon resin
Shell	Stainless steel/ Main frame: Ni plating Through-hole: Sn plating over Ni
Through-hole Plate	Copper alloy/ Main frame: Ni plating Through-hole: Sn plating over Ni

Plug

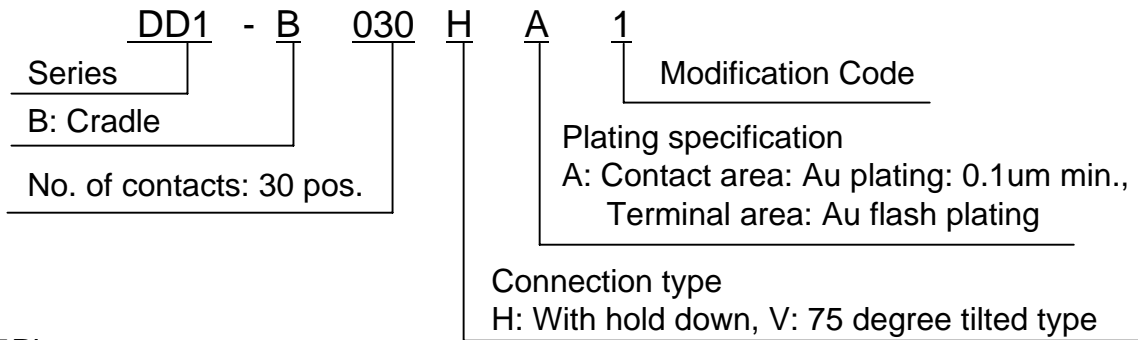
Components	Materials/ Finishes
Contact	Copper alloy/ Contact: Au plating over Ni Terminal: Au flash plating over Ni
Insulator	Glass filled nylon resin
Shell	Stainless steel/ Ni plating
Hood	Glass filled polycarbonate/ Color: Black
Lock Spring	Stainless steel/ Ni plating
Clamp Barrel	Copper alloy/ Ni plating
Bushing	PVC/ Color: Black

Ordering Information

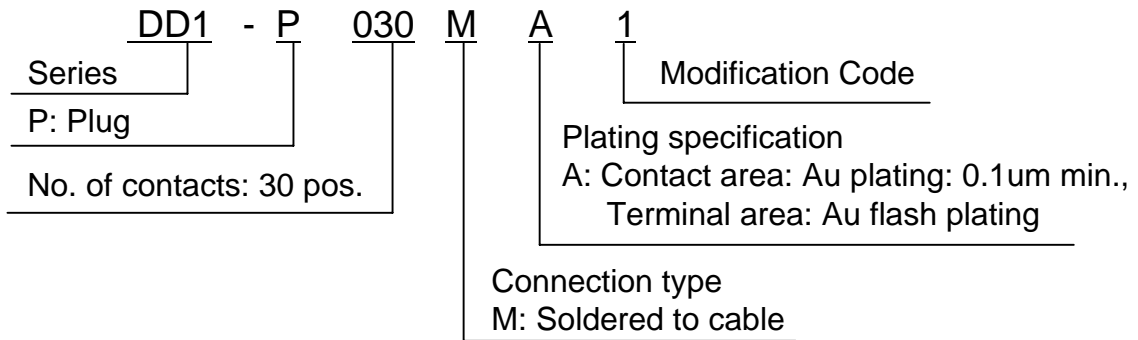
■ Receptacle



■ Cradle



■ Plug

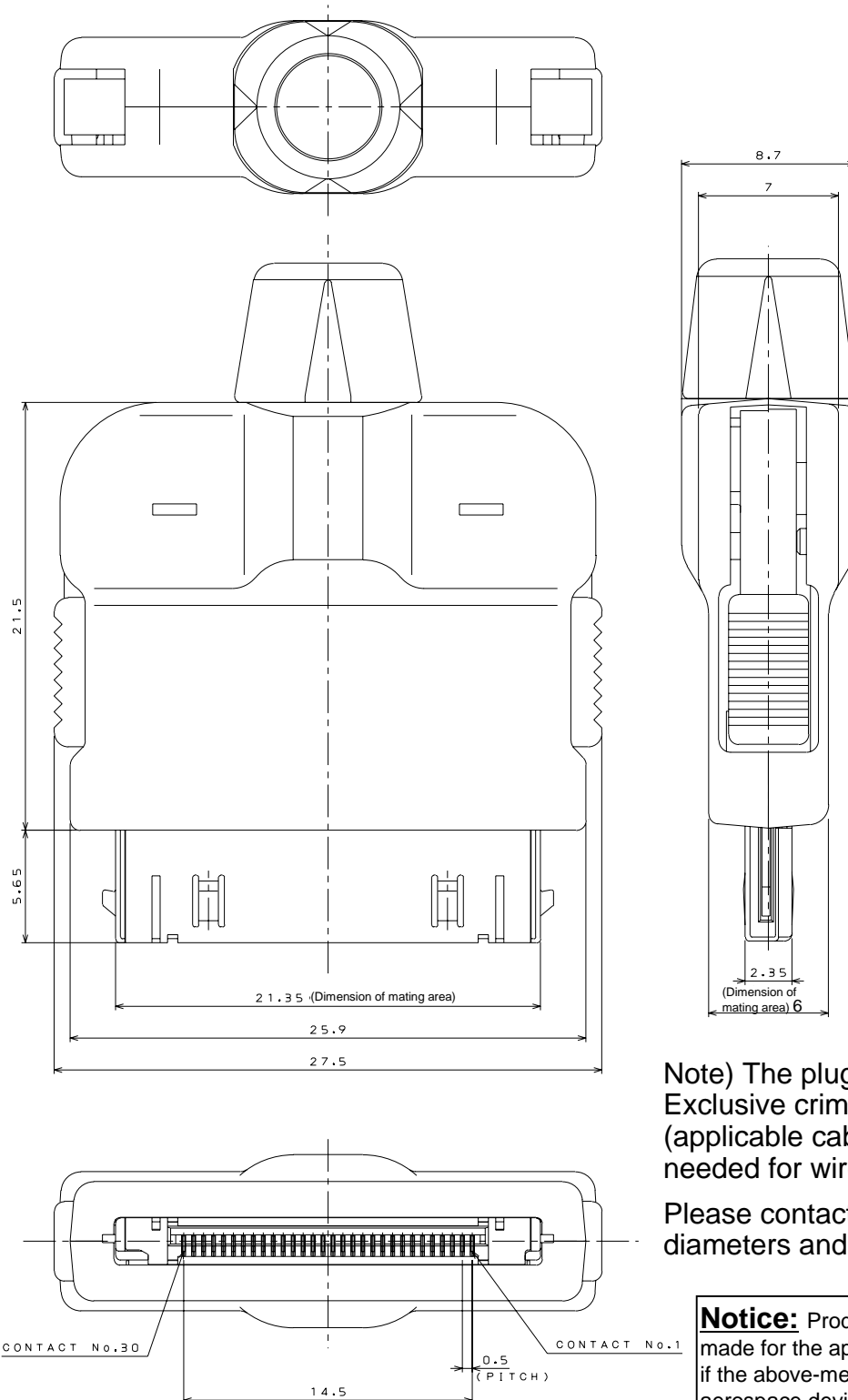


Part Number	Board anchoring method			SJ Drawing	Specification
	Hold-down	Through-hole	Boss		
DD1R030HA1	2	2	2	SJ100601	JACS-3285
DD1R030JA7	-	4	2	SJ106061	
DD1B030HA1	2	4	2	SJ100602	
DD1B030VA1	-	6	-	SJ102068	
DD1P030MA1	-	-	-	SJ100603	

Plug: DD1P030MA1

SJ Drawing No.: SJ100603

Unit: [mm]



Note) The plug is shipped in plug only. Exclusive crimp tool CT150-6-RH07 (applicable cable diameter 5.0 mm) is needed for wire connection and assembly.

Please contact us for other cable diameters and further information.

Notice: Products shown in this leaflet are made for the applications listed below. However, if the above-mentioned products are to be used in aerospace devices, marine cable-connection devices, atomic power control systems, medical equipment for life-support systems, or any other specific application requiring extremely high reliability, please contact JAE for further information.
 Recommended applications: computers, office machines, measuring devices, telecommunication devices (terminals, mobile devices), AV devices, household applications, FA devices, etc.

Japan Aviation Electronics Industry, Limited

Product Marketing Division
 Aobadai Building, 3-1-19, Aobadai, Meguro-ku, Tokyo 153-8539
 Phone: +81-3-3780-2787 FAX: +81-3-3780-2946