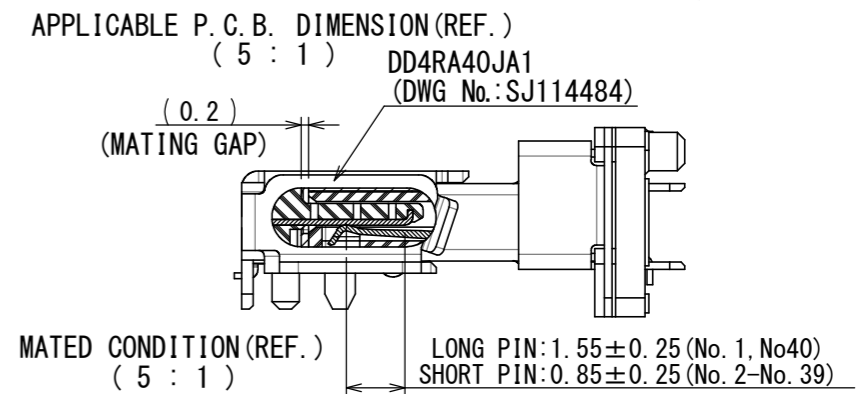
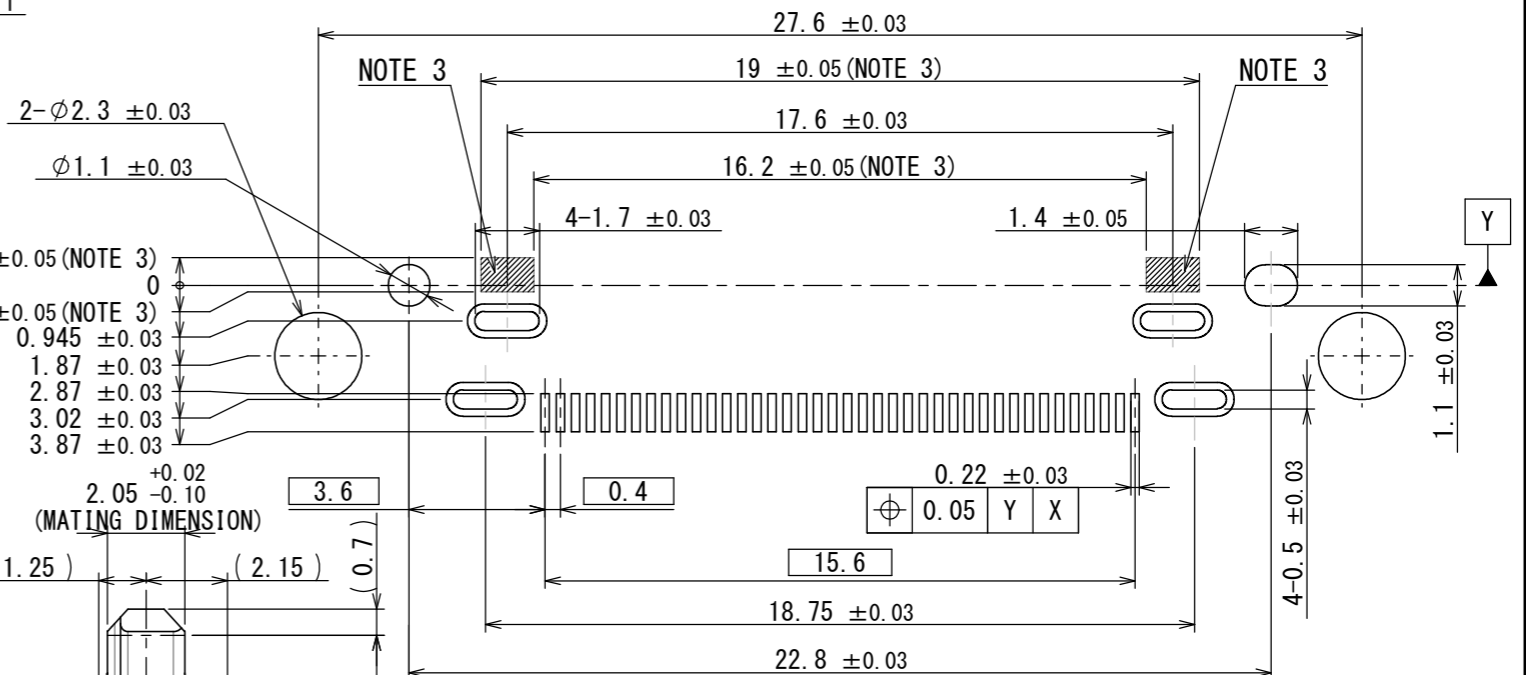
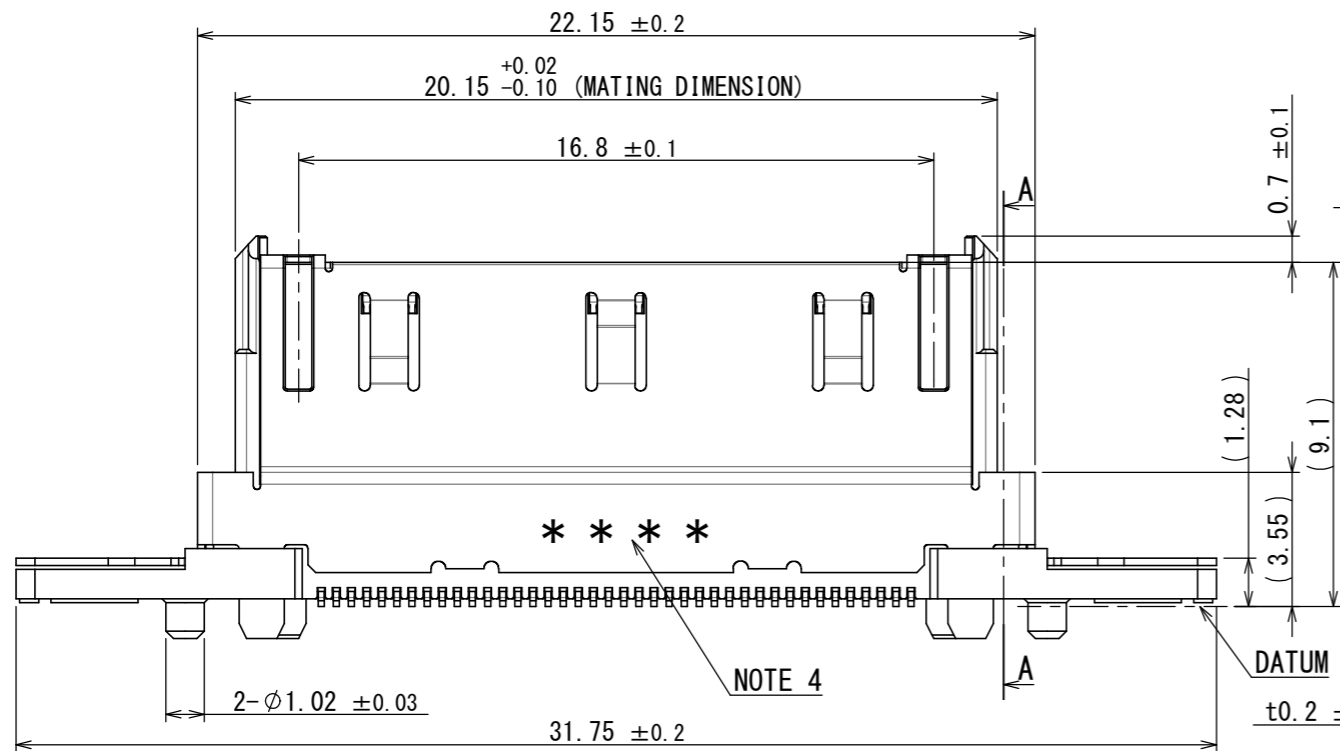
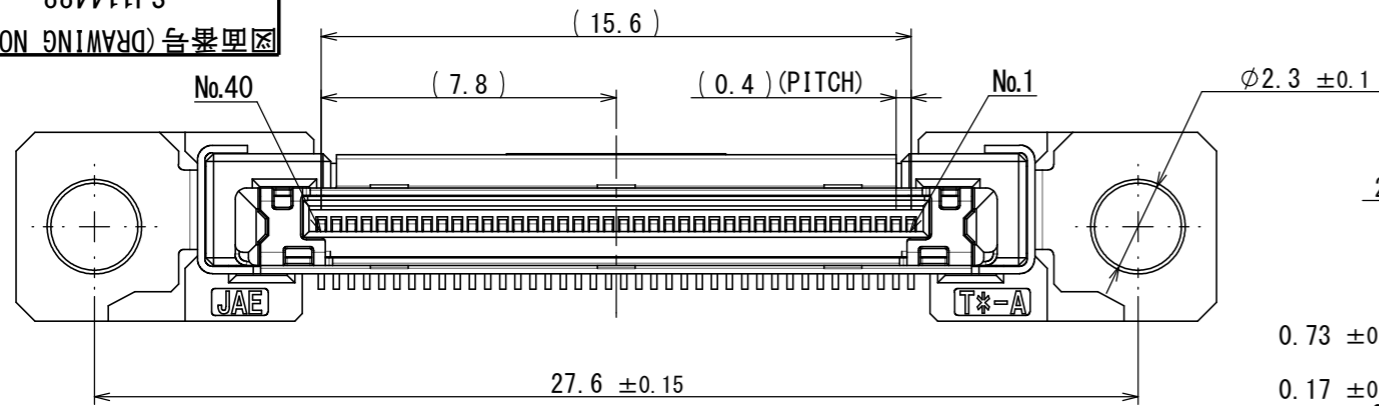


SJ114488  
図面番号 (DRAWING NO.)

版数 VER.	年月日 DATE	CN NO.	変更内容 DESCRIPTION	製図 DR.	担当 CHK.	査閲 APPD.	承認 APPD.
2	06/AUG/2013	007176	REVISED SPECIFICATION NUMBER		Y. YOKOYAMA	M. SASAKI	T. SHINDOU



APPLICABLE P. C. B. DIMENSION (REF.)  
(5 : 1)

NOTE 1. TERMINAL COPLANARITY IS 0.1mmMAX.  
NOTE 2. IT MIGHT BE DIFFERENT FROM ACTUAL CONNECTOR CONFIGURATION AND THE DRAWING ACCORDING TO THE SHAPE IMPROVING PRODUCTIVITY AND THE EJECTOR PIN.  
NOTE 3. STENCIL MASK OPENING PROHIBITION AREA.  
NOTE 4. PRODUCTION LOT NUMBER AS INDICATED.

5	SHELL	1	STAINLESS STEEL	NICKEL PLATING	
4	CAP	1	SYNTHETIC RESIN	(BLACK)	
3	INNER INSULATOR	1	SYNTHETIC RESIN	(BLACK)	
2	BASE INSULATOR	1	SYNTHETIC RESIN	(BLACK)	
1	CONTACT	40	COPPER ALLOY	CONTACT AREA: GOLD PLATING OVER NICKEL TERMINAL AREA: GOLD FLASH PLATING OVER NICKEL	PLATING SPEC: NICKEL: 1 μm MIN. GOLD FLASH: 0.03 μm MIN. GOLD: 0.1 μm MIN.

仕様書 (SPECIFICATION) JACS-30256-1 ②	第1版 (ORIGINAL DATE) 31/JUL/2013	尺度 (SCALE) 5 : 1	シリーズ (SERIES) DD4	日本航空電子工業株式会社
一般公差 (GENERAL TOLERANCE) 寸法 (DIMENSION) × ± 0.8 ×× ± 0.4 ××× ± 0.1 ×××× ±	角度 (ANGLES) ×° ± ×°×' ±	製図 DR. 担当 CHK. 査閲 APPD. 承認 APPD.	名称 (TITLE) DD4BA40WA1	JAPAN AVIATION ELECTRONICS INDUSTRY, LTD.
単位 (UNIT) : mm		質量 (MASS)	図面番号 (DRAWING NO.) SJ114488	版数 (VER.) 2

DCF-C-212H(12.08)



WISDOM承認 2013/08/20

SIZE A3