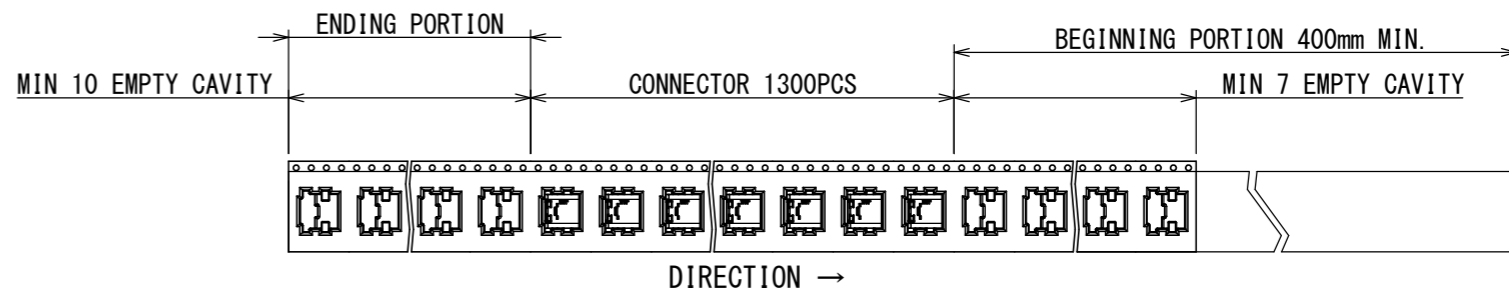
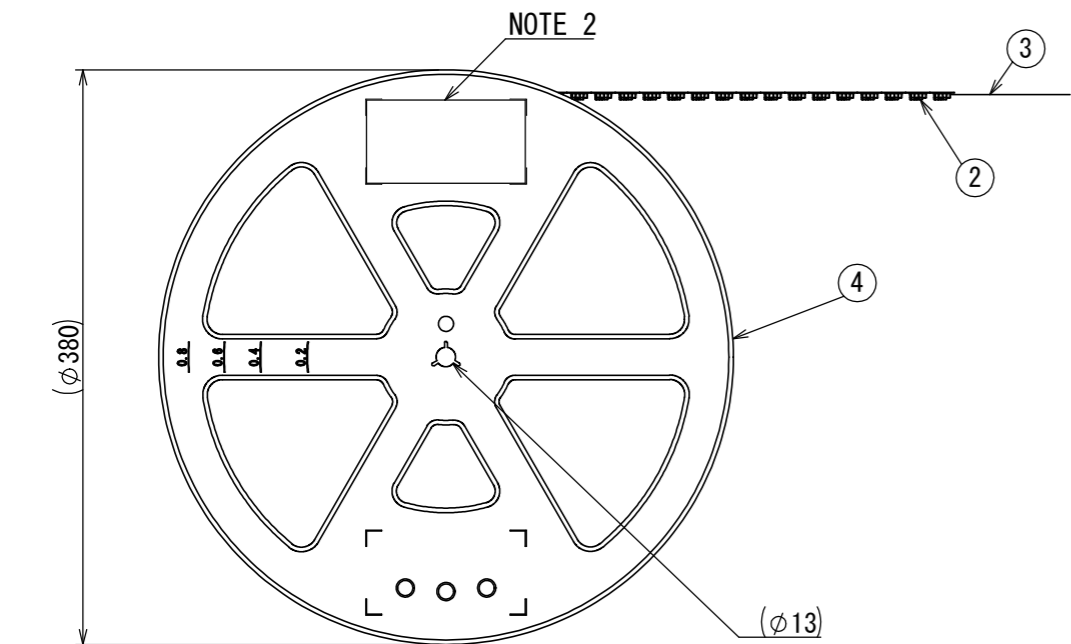
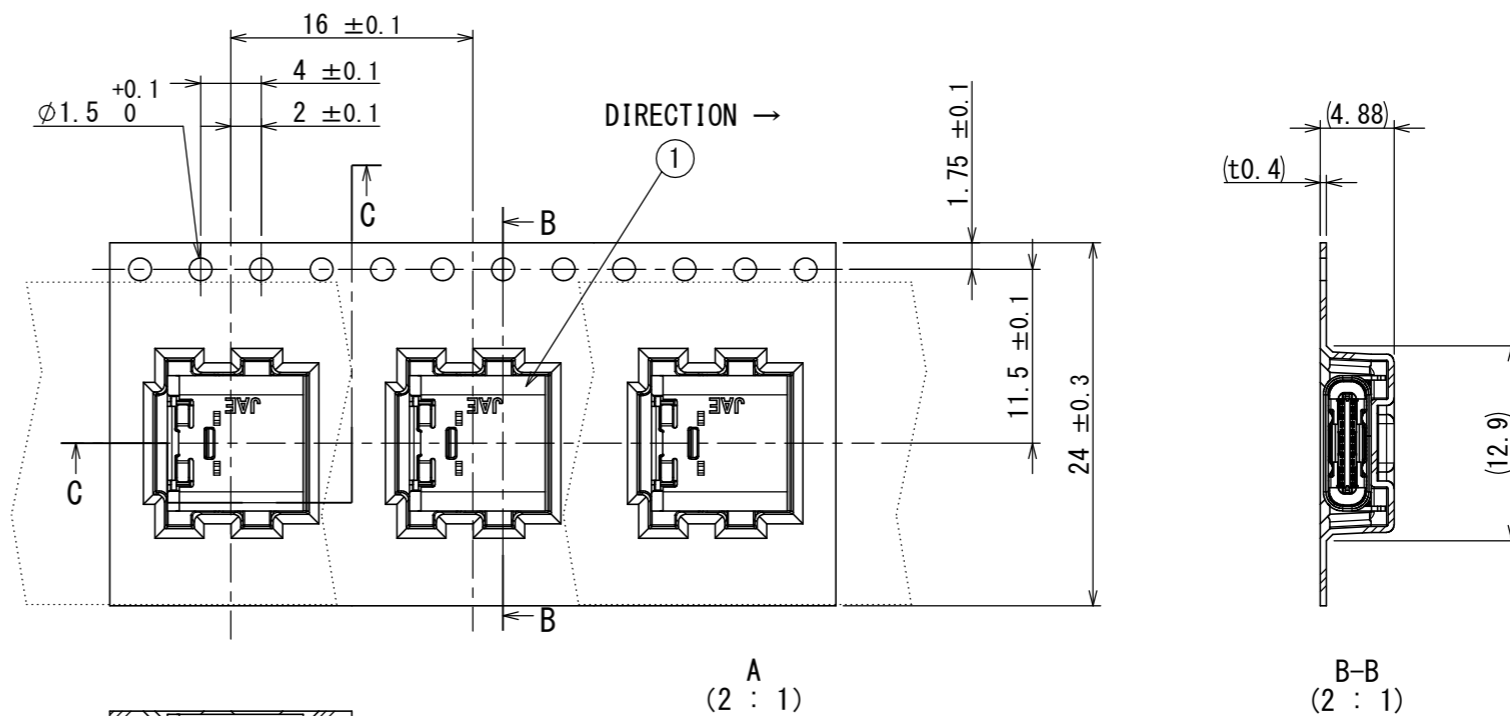
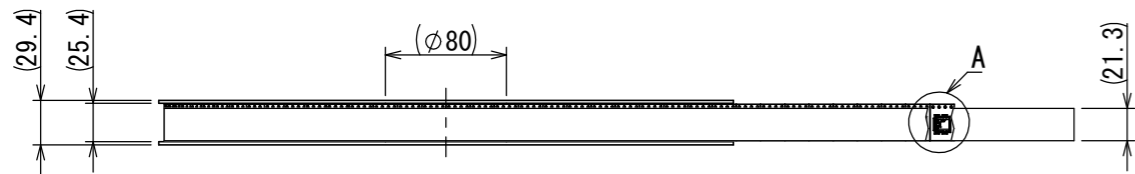


SJ117265  
(ON DRAWING NO.)

版数 VER.	年月日 DATE	CN NO.	変更内容 DESCRIPTION	製図 DR.	担当 CHK.	査閲 APPD.	承認 APPD.
------------	-------------	--------	---------------------	-----------	------------	-------------	-------------



NOTE1. SUFFIX "R1300" OF PART NUMBER "DX07S024JJ4R1300" INDICATES 1300PCS IN A REEL.  
 2. THE LABEL IN WHICH DESCRIPTION, QTY, LOT NO, EMBOSS CODE AS INDICATED.  
 3. REFER TO THE DRAWING "SJ117264 (DX07S024JJ4)" FOR THE CONNECTOR DIMENSIONS.  
 4. REEL FORM MAY DIFFER FROM THE DRAWING.

現品ラベル/ARTICLE LABEL      XXXXXXXX    XXXX XXXX XXXX      Count:001

品名 (DESCRIPTION) DX07S024JJ4R1300

図番 (PART No.) SJ117265

数量 (Q'ty) 1300

ITEM NO

Lot No.

E.Code: TB2416

2015/12/18

MADE IN JAPAN

Japan Aviation Electronics Industry, Ltd.      QCF-C-0676(12.01)/JAPS-0006-2

24: TAPE WIDTH      16: FEED PITCH

4	REEL	1	PS	—	—
3	COVER TAPE	1	PET	—	—
2	CARRIER TAPE	1	PS	—	—
1	CONNECTOR	1300	—	—	SJ117264 (DX07S024JJ4)
符号 NO.	名称 DESCRIPTION	個数 QTY.	材料 MATERIAL	仕上 FINISH	図番 DWG NO.

仕様書 (SPECIFICATION) JACS-30353	第1版 (ORIGINAL DATE) 18/DEC/2015	尺度 (SCALE) 1:5	シリーズ (SERIES) DX07	日本航空電子工業株式会社
一般公差 (GENERAL TOLERANCE)	製図 DR.	名称 (TITLE) DX07S024JJ4R1300		JAE JAPAN AVIATION ELECTRONICS INDUSTRY, LTD.
寸法 (DIMENSION)	担当 CHK. 査閲 APPD.	質量 (MASS)		
角度 (ANGLES)	承認 APPD.	図面番号 (DRAWING NO.) SJ117265		版数 (VER.) 1
単位 (UNIT) : mm	Y. SAITOU	質量 (MASS)		

DCF-C-212H(12.08)



WISDOM承認 2016/01/04

SIZE A3