

NEW


0.635mm Pitch Interface Connector

CONNECTOR

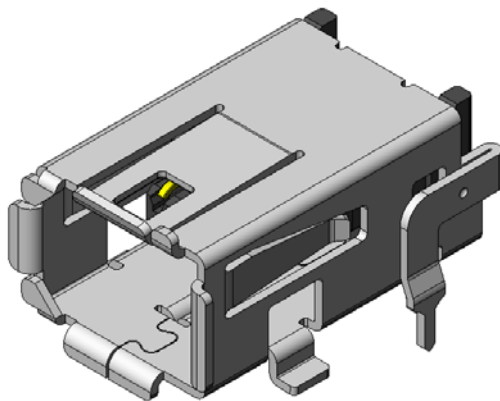
MB-0286-1

November 2014

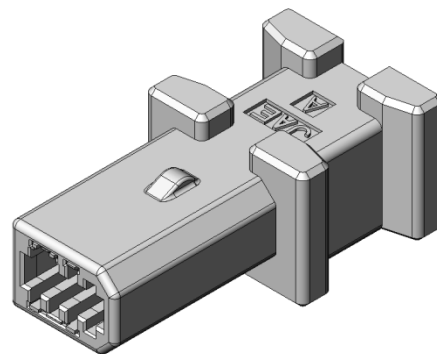
DZ02 Series

RoHS Compliant

Receptacle



Short-circuit Plug



<<Outline>>

JAE has developed the "DZ02 Series" I/O connector for industrial apparatus. The DZ02 Series is a 0.635mm pitch compact connector with a superior lock structure resistant to vibration and is suitable for use under harsh environmental conditions.

It can be used as an I/O connector for systems compatible with the product standard IEC/EN 61800-5-2 of the international standard IEC 61508 for functional safety.

<<Application>>

Servo amplifiers, motion controllers, PLC (Programmable Logic Controller), and other industrial machinery apparatuses.

Features

- Compact (0.635mm pitch).
- Lock structure with superior vibration resistance.
- Structure that prevents solder flux scattering by covering bottom surface of contact area with an outer shell.
- Supports SMT mounting with excellent coplanarity.
- Supports automated mounting with an embossed tape for receptacle.

General Specifications

Specification	Description
Rated Current	0.5A/ 1 contact
Rated Voltage	30V
Contact Resistance	Receptacle: 40mΩ max. Short-circuit Plug: 80mΩ max.
Insulation Resistance	500MΩ min. (Individual connector)
Dielectric Withstanding Voltage	AC250Vr.m.s (Individual connector)
Operating Temperature	-40 Deg. C ~ +85 Deg. C

Line-up

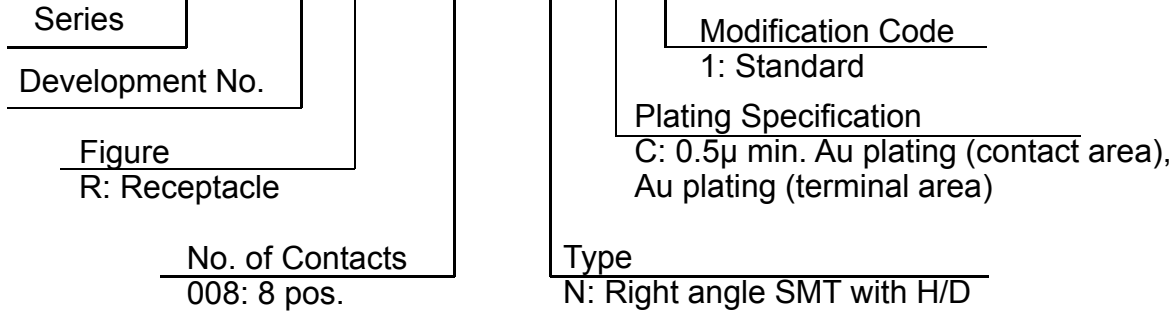
Component	Part Number
Receptacle	DZ02R008NC1
Short-circuit Plug	DZ02B008DC1

Materials and Finishes

Component	Part	Material and Finish
Receptacle	Insulator	Synthetic Resin
	Shell	Copper alloy / Sn plating
	Contact	Copper alloy / Au plating (contact area)
Short-circuit Plug	Insulator	Synthetic Resin
	Contact	Copper alloy / Au plating (contact area)

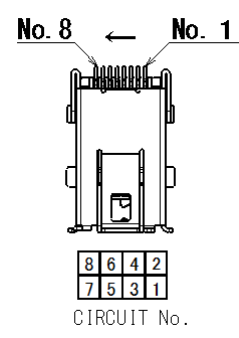
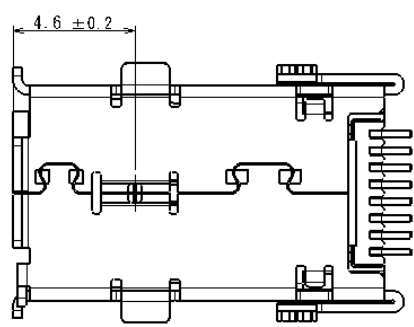
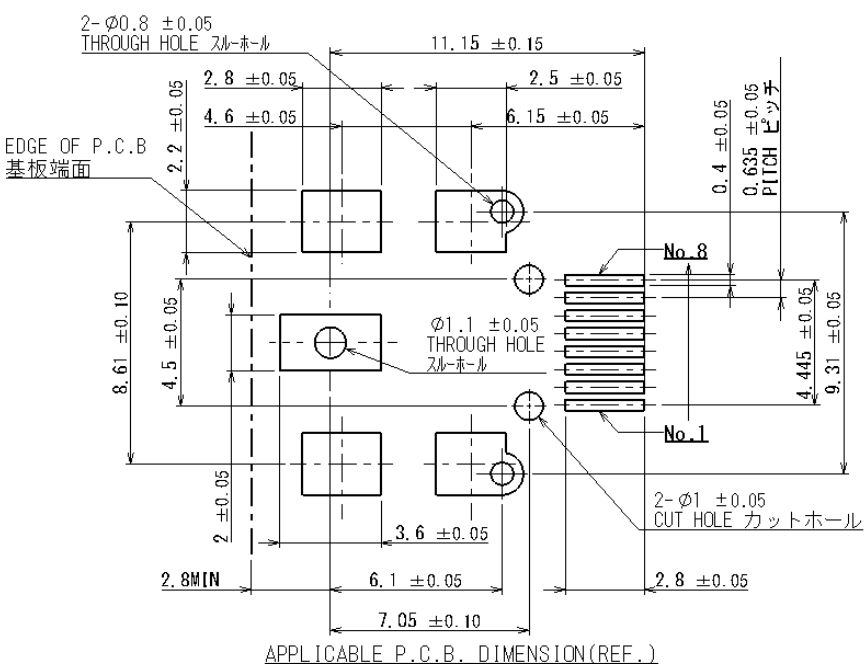
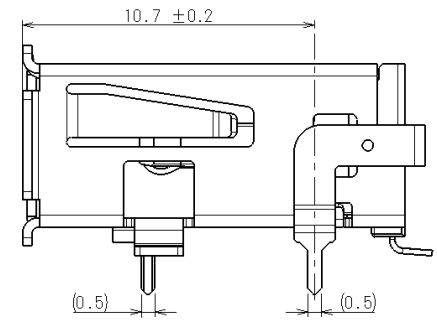
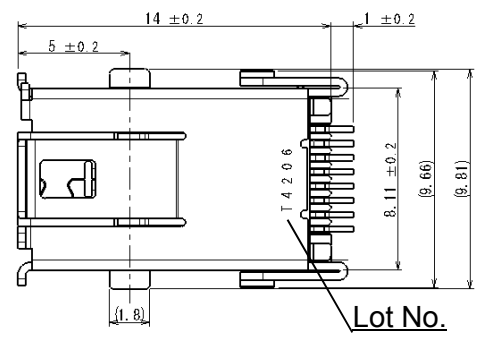
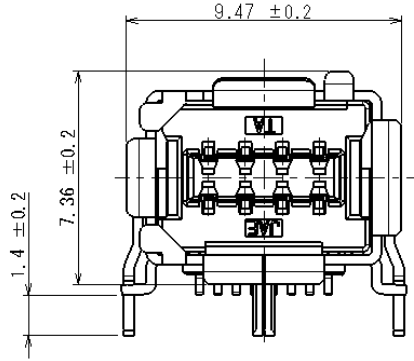
[Receptacle]

DZ 02 R 008 N C 1



Lot NO. (Ex.)
 ロット NO. (例.)
1 4 2 0 6
 Manufacture day.
 製造日
 Manufacture month. (JAN. TO SEP.: 1~9, OCT.: 0, NOV.: X, DEC.: Y)
 製造月 (1月~9月: 1~9, 10月: 0, 11月: X, 12月: Y)
 Manufacture year. (It is shown at A.D. 1 digit.)
 製造年 (西暦の下1桁で表示する。)
 Identification code (T: JAE Taiwan, Ltd)
 組立部門識別 (T: JAE Taiwan, Ltd)

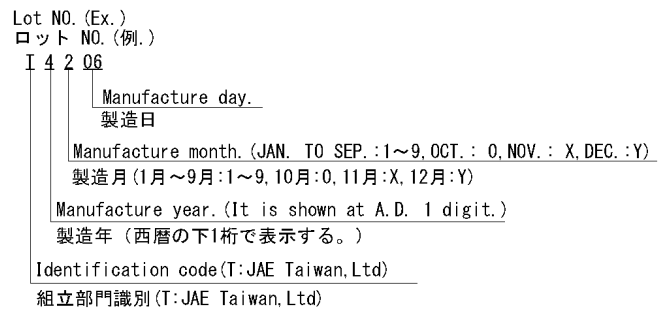
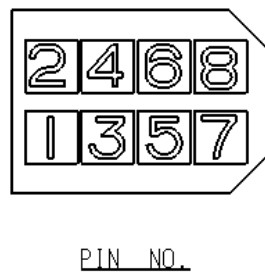
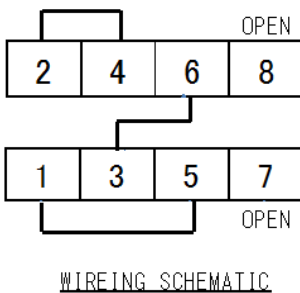
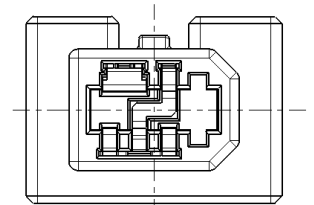
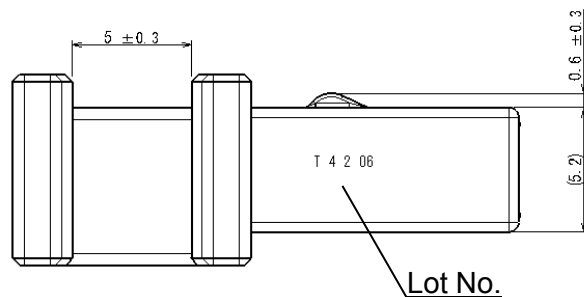
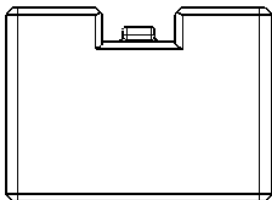
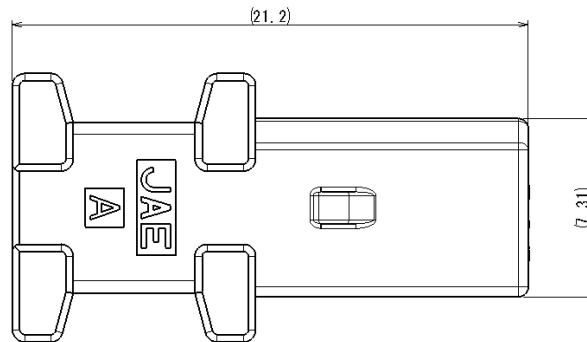
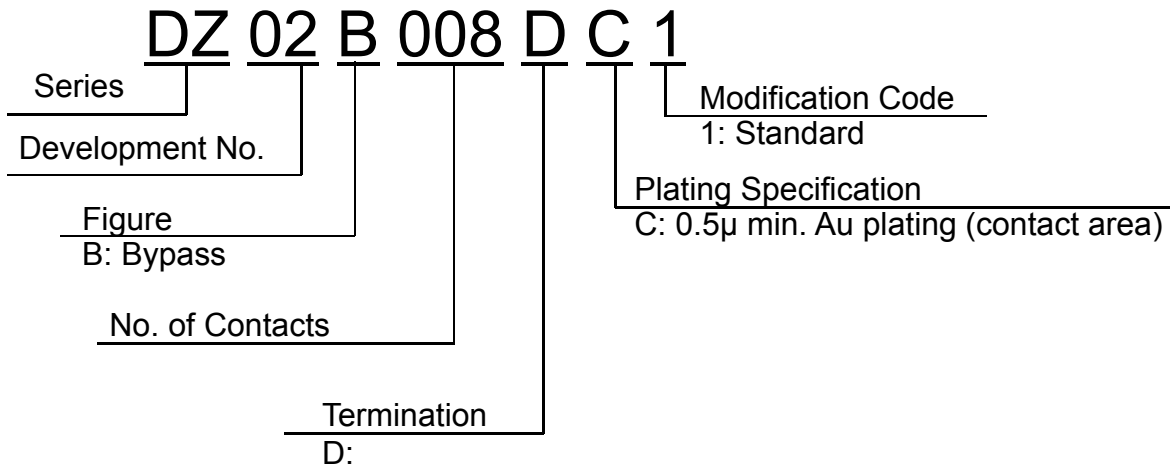
<Lot No. Indication>



<Applicable Board Dimensions>

< Circuit No. >

[Short-circuit Plug]



<Circuit Outline Drawing>

<Terminal No.>

<Lot No. Indication>

Technical Documents

	Document Number (Content of Document)
Specification	JACS-30337
Handling Instruction	—

Notice:

1. The values specified in this brochure are only for reference. The products and their specifications are subject to change without notice. Contact our sales staff for further information before considering or ordering any of our products. For purchase, a product specification must be agreed upon.

2. Users are requested to provide protection circuits and redundancy circuits to ensure safety of the equipment, and sufficiently review the suitability of JAE's products to the equipment.

3. The products presented in this brochure are designed for the uses recommended below. We strongly suggest you contact our sales staff when considering use of any of the products in any other way than the recommended applications or for a specific use that requires an extremely high reliability.

(1) Applications that require consultation:

(i) Please contact us if you are considering use involving a quality assurance program that you specify or that is peculiar to the industry, such as:

Automotive electrical components, train control, telecommunications devices (mainline), traffic light control, electric power, combustion control, fire prevention or security systems, disaster prevention equipment, etc.

(ii) We may separately give you our support with a quality assurance program that you specify, when you think of a use such as :

Aviation or space equipment, submarine repeaters, nuclear power control systems, medical equipment for life support, etc.

(2) Recommended applications include:

Computers, office appliances, telecommunications devices (terminals, mobile units), measuring equipment, audiovisual equipment, home electric appliances, factory automation equipment, etc

Japan Aviation Electronics Industry, Limited

Product Marketing Division

Aobadai Building, 3-1-19, Aobadai, Meguro-ku, Tokyo 153-8539

Phone: +81-3-3780-2882 FAX: +81-3-3780-2946

* The specifications in this brochure are subject to change without notice. Please contact JAE for information.