



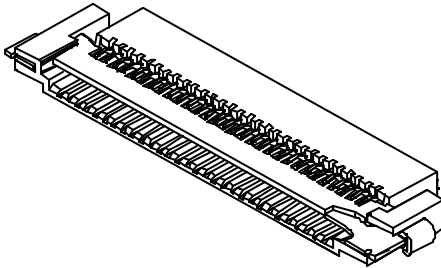
0.5mm pitch low profile one-touch connector for FPC

CONNECTOR

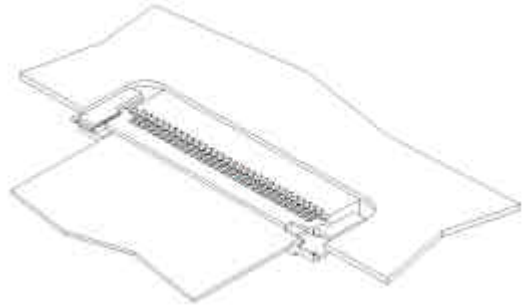
FA5 Series

MB-0079-1

August 2002



Standard Mounting Type



Bottom Mounting Type

FA5 connectors are 0.5mm pitch low profile connector for FPC, in response to demand for thinner and more compact telecommunication devices such as mobile phones.

Features

- ZIF structure for easy insertion and removal of FPC.
- Easy handling thanks to rotation of actuator.
- SMT type suitable for automated mounting, available on embossed tape.
- Hold down structure with winding and straining protection.
- Two mounting types: standard type and bottom type
- Connector with lead-free countermeasure.
- Connector mounting height 1.45 mm, low profile structure.

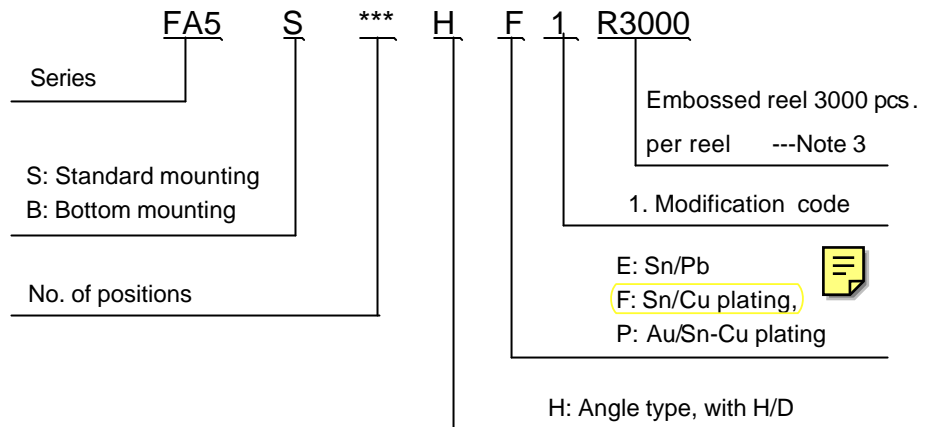
General Specifications

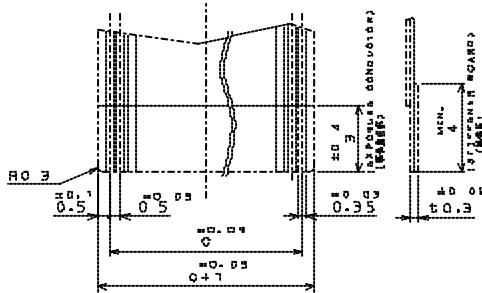
- | | |
|--|--|
| ■ No of contacts: 6, 8, 10, 15, 16, 18, 20, 22,
26, 30, 36, 40, 45 and 50pos. | ■ Rated current: AC,DC each 0.8A
per terminal |
| ■ Contact resistance: 20m ohm max. | ■ Insulation resistance: 100M ohm min. |
| ■ Withstand voltage: AC 250Vr.m.s.
per minute | ■ Life time: 20 times |
| ■ Operating temperature: -40°C to +85°C | ■ Contact pitch: 0.5mm pitch |
| ■ Rated voltage: AC,DC50V per terminal | ■ Applicable FPC/FFC: 0.5mm pitch
thickness 0.3 (+0.05 -0.05) with lining |

Materials and Finishes

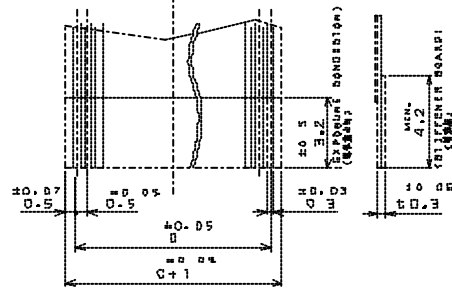
Components	Materials	Finishes
Actuator	Synthetic resin	No(UL94V-0)
Base Insulator	Synthetic resin	No(UL94V-0)
Contact	Copper Alloy	Sn-Cu plating or Au plating/Sn-Cu plating
Hold down	Copper alloy	Sn-Cu plating

Ordering Information





APPLICABLE F.F.C. DIMENSION(REF.)
適合F.F.C.寸法(参考)



APPLICABLE F.F.C. DIMENSION(REF.)
適合F.F.C.T寸法(参考)

	Standard mounting type				
	A	B	C	D	E
8	8.2	5.0	3.5	9.3	9.7
10---Note1)	9.2	6.0	4.5	10.3	10.7
15	11.7	8.5	7.0	12.8	13.2
16	12.2	9.0	7.5	13.3	13.7
18	13.2	10.0	8.5	14.3	14.7
20	14.2	11.0	9.5	15.3	15.7
22	15.2	12.0	10.5	16.3	16.7
26	17.2	14.0	12.5	18.3	18.7
30	19.2	16.0	14.5	20.3	20.7
36	22.2	19.0	17.5	23.3	23.7
40	24.2	21.0	19.5	25.3	25.7
45	26.7	23.5	22.0	27.8	28.2
50	29.2	26.0	24.5	30.3	30.7

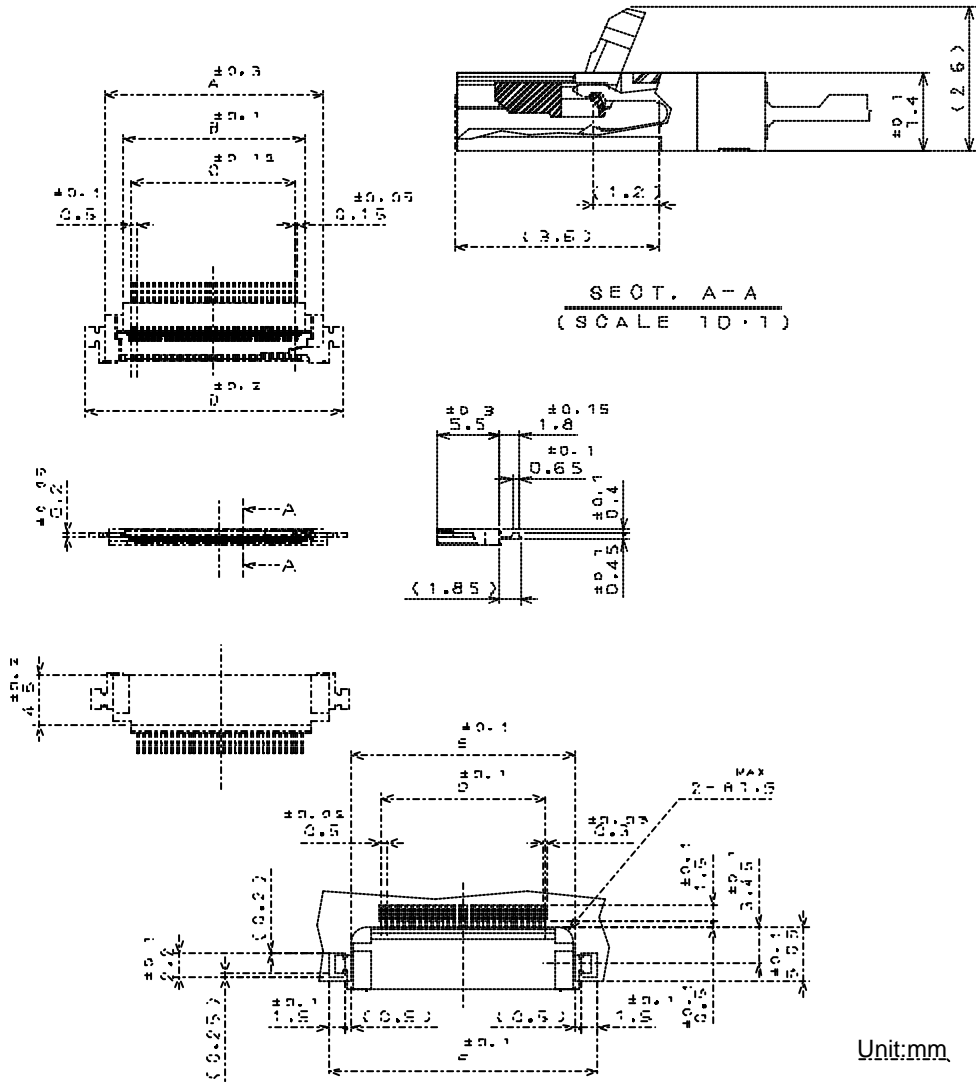
Note1) 10 pos. available in Au/Sn-Cu plating

Other products available in Sn-Cu plating

Unit:mm

Bottom Mating Type

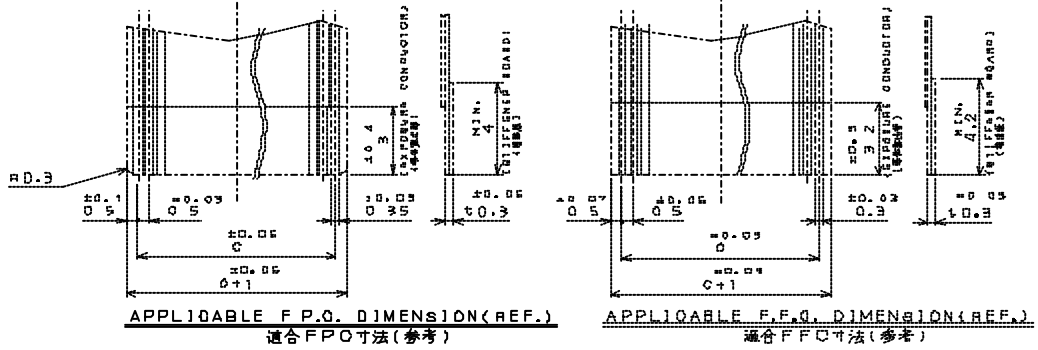
Part Number	SJ Drawing
FA5B***HF1	SJ036876
FA5B***HP1	SJ036880



Unit:mm

APPLICABLE P.O.B. DIMENSION(REF.)

適合基板寸法(参考)



	Concave mounting					
	A	B	C	D	E	F
6 ---Note1	7.2	4.0	2.5	10.7	7.7	11.7
8 ---Note1	8.2	5.0	3.5	11.7	8.7	12.7
10 ---Note2	9.2	6.0	4.5	12.7	9.7	13.7
16	12.2	9.0	7.5	15.7	12.7	16.7
20 ---Note2	14.2	11.0	9.5	17.7	14.7	18.7
30	19.2	16.0	14.5	22.7	19.7	23.7
36	22.2	19.0	17.5	25.7	22.7	26.7
40	24.2	21.0	19.5	27.7	24.7	28.7
45	26.7	23.5	22.0	30.2	27.2	31.2
50	29.2	26.0	24.5	32.7	29.7	33.7

Note1) 6, 8 pos. available in Au/Sn-Cu plating.

Note2) 10, 20 pos. available in Au/Sn-Cu plating and Sn-Cu plating, other products available in Sn-Cu plating.

Note3) An embossed tape reel contains 3000 pieces.
Please contact us for details of embossed tape specifications.

Notice: Products shown in this leaflet are made for the applications listed below. However, if the abovementioned products are to be used in aerospace devices, marine cable-connection devices, atomic power control systems, medical equipment for life-support systems, or any other specific application requiring extremely high reliability, please contact JAE for further information.
Recommended applications: Computers, Office machines, Measuring devices, Telecommunication devices (Terminals, Mobile devices), AV devices, Household applications, FA devices, etc.

Japan Aviation Electronics Industry, Limited

Product Marketing Division
Aobadai Building, 3-1-19, Aobadai, Meguro-ku, Tokyo 153-8539
Phone: +81-3-3780-2787 FAX: +81-3-3780-2946

* The specifications in this brochure are subject to change without notice. Please contact JAE for information.