



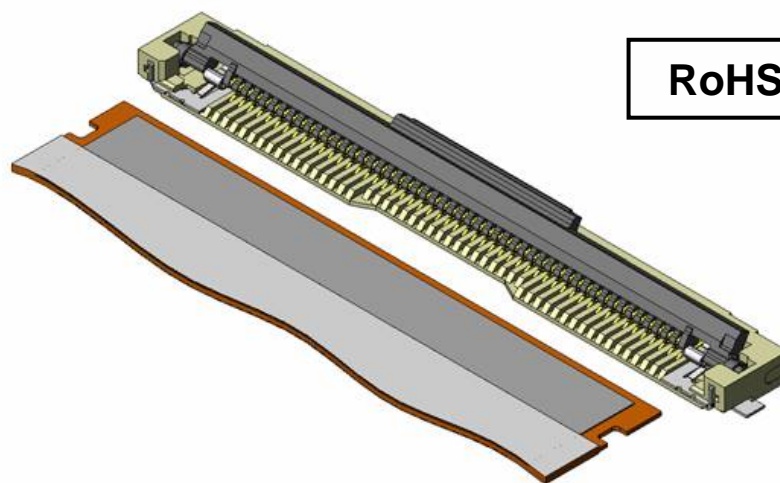
Shielded-FFC Compatible  
High-speed Transmission Connector

CONNECTOR

MB-0231-2

September 2013

# FM8 Series



**RoHS Compliant**

Along with the advancing functions in devices such as LCD televisions and personal computers, the volume of data transmitted inside these devices is increasing and the demand for higher speed is growing.

The "FM8 Series" is a compact FFC-shielded high-speed transmission FFC connector designed to meet this need.

## Features

- Space-saving, 0.5mm pitch, 4.8mm depth, 2.2mm height (when mated).
- Ensures secure contact with the FFC ground through the top and bottom spring structure.
- Incomplete mating is prevented with a clear click feeling to indicate when mating is complete.
- Guides located on the sides of the FFC prevent misalignment by temporarily holding the FFC in place.
- Applicable FFC/ FPC thickness: 0.3mm  $\pm$  0.03mm, ZIF structure bottom-surface connection type.
- Compatible with FFCs with and without ground.
- Pb-free, halogen-free compliant product.

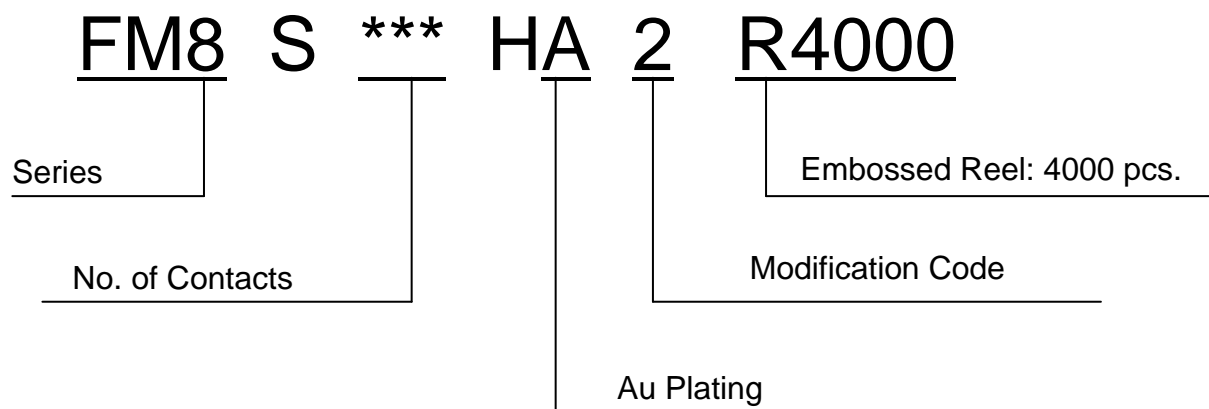
## General Specifications

### FM8S\*\*\*HA2

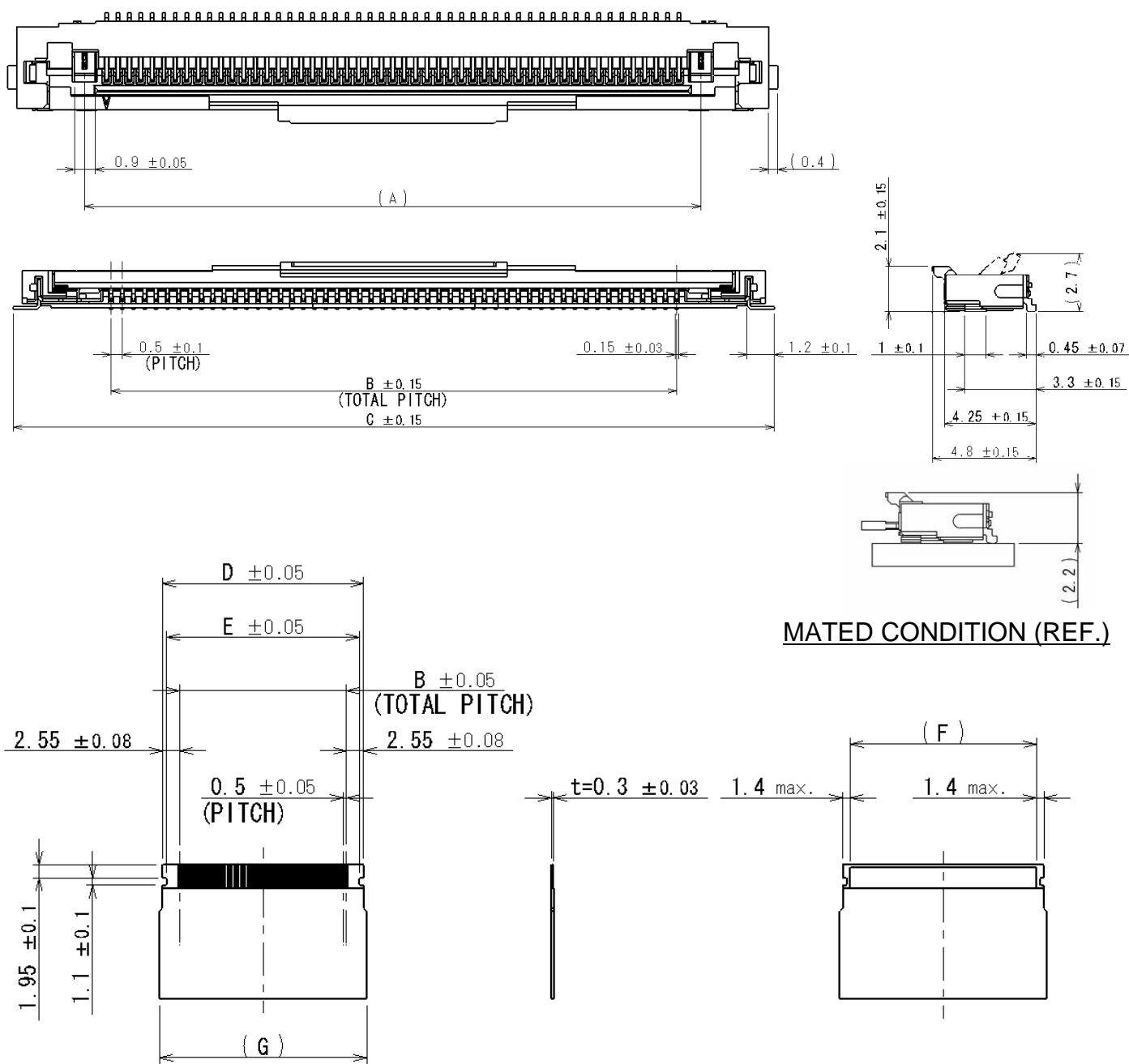
- |   |   |
|---|---|
| ■ No. of Contacts: 41, 51, 60 positions | ■ Rated Current:                            |
| ■ Contact Resistance: 60m $\Omega$ max. | AC, DC each 0.5A per terminal               |
| ■ Dielectric Withstanding Voltage:      | ■ Insulation Resistance: 100M $\Omega$ min. |
| AC 250Vr. m.s per minute                | ■ Pitch: 0.5mm                              |
| ■ Operating Temperature:                |   |
| -40 Deg. C to +85 Deg. C                |   |

## Materials and Finishes

Component	Material and Finish
Housing	Heat resistant plastic (Natural color, halogen free)
Actuator	Heat resistant plastic (Black color, halogen free)
Contact	Copper alloy / Au plating over Ni Contact area: 0.1 $\mu$ m Au min. Terminal area: 0.05 $\mu$ m Au min.
Hold-down	Copper alloy / Sn plating over Ni



Part Number	Drawing
FM8S***HA2	SJ111840

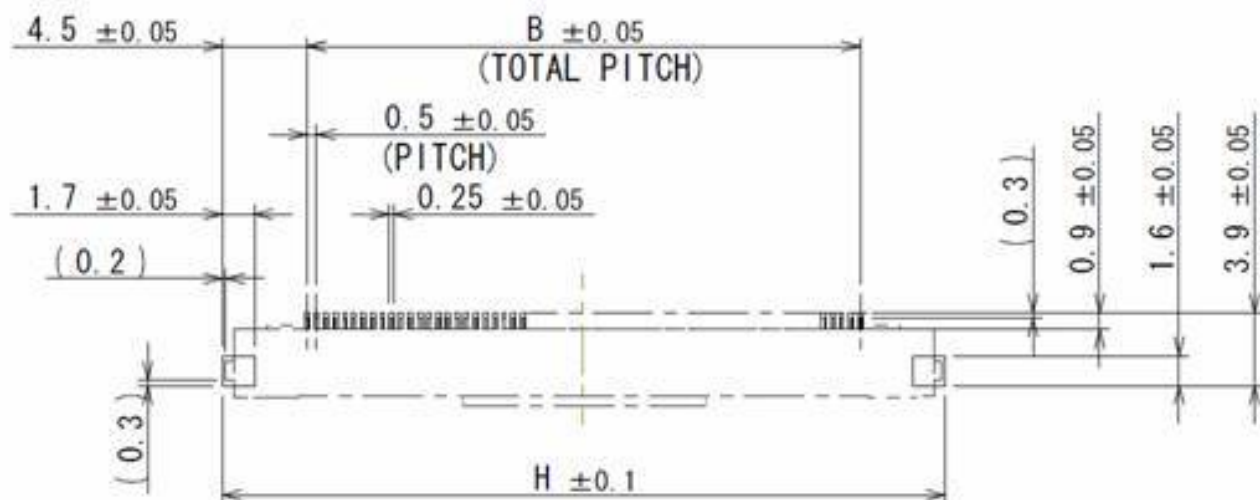


MATED CONDITION (REF.)

APPLICABLE FFC DIMENSIONS (REF.)

Unit: mm

No. of Contacts	A	B	C	D	E	F	G
41	21.9	20.0	28.6	25.1	23.85	22.9	26.0
51	26.9	25.0	33.6	30.1	28.85	27.9	31.0
60	31.4	29.5	38.1	34.6	33.35	32.4	35.5



APPLICABLE P.C.B DIMENSIONS (REF.)

Unit: mm

No. of Contacts	H
41	29.0
51	34.0
60	38.5

Related Material

- Specifications: JACS-10822
- Handling Instructions: JAHL-10822

**Notice:**

1. The values specified in this brochure are only for reference. The products and their specifications are subject to change without notice. Contact our sales staff for further information before considering or ordering any of our products. For purchase, a product specification must be agreed upon.

2. Users are requested to provide protection circuits and redundancy circuits to ensure safety of the equipment, and sufficiently review the suitability of JAE's products to the equipment.

3. The products presented in this brochure are designed for the uses recommended below. We strongly suggest you contact our sales staff when considering use of any of the products in any other way than the recommended applications or for a specific use that requires an extremely high reliability.

(1) Applications that require consultation:

(i) Please contact us if you are considering use involving a quality assurance program that you specify or that is peculiar to the industry, such as:

Automotive electrical components, train control, telecommunications devices (mainline), traffic light control, electric power, combustion control, fire prevention or security systems, disaster prevention equipment, etc.

(ii) We may separately give you our support with a quality assurance program that you specify, when you think of a use such as :

Aviation or space equipment, submarine repeaters, nuclear power control systems, medical equipment for life support, etc.

(2) Recommended applications include:

Computers, office appliances, telecommunications devices (terminals, mobile units), measuring equipment, audiovisual equipment, home electric appliances, factory automation equipment, etc

**Japan Aviation Electronics Industry, Limited**

Product Marketing Division

Aobadai Building, 3-1-19, Aobadai, Meguro-ku, Tokyo 153-8539

Phone: +81-3-3780-2882 FAX: +81-3-3780-2946

\* The specifications in this brochure are subject to change without notice. Please contact us when considering this product.