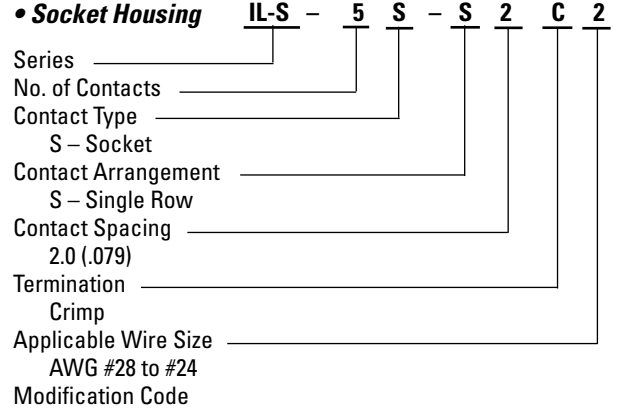
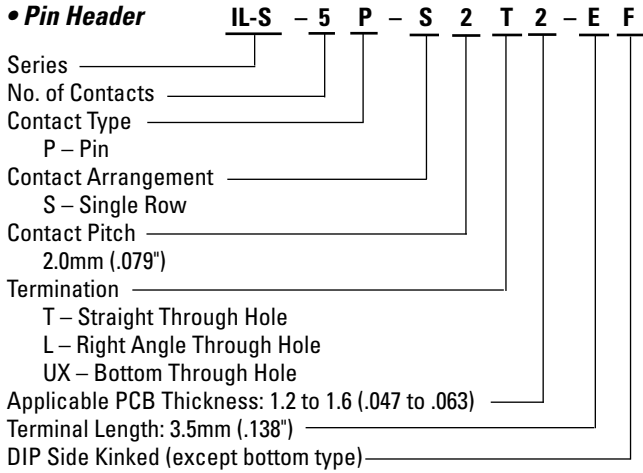




# IL-S SERIES CONNECTORS

## 2.0mm (.079") Contact Spacing, PCB-to-Cable (Crimp Type) Connectors

### ORDERING INFORMATION



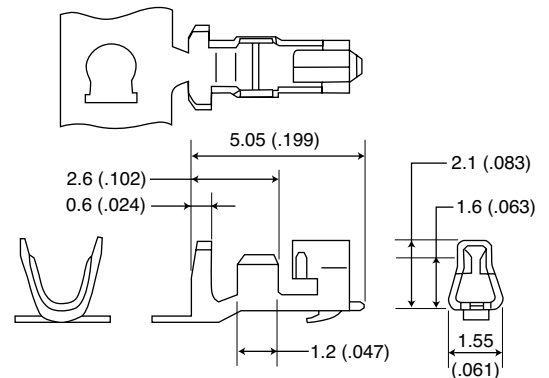
### • Socket Contact (Crimp Type)

Part No. : IL-S-C2-10000 (1000 Contacts per reel)

Applicable Wire (Stranded)		Hand Crimping Tool
AWG #	Wire Insulation Outer Dia.	
#28 to #26	ø1.0 to ø1.3mm (.039 to .051")	CT150-2-ILS
#26 to #24	ø1.2 to ø1.6mm (.047 to .063")	CT150-4-ILS
#28 to #26	ø0.7 to ø1.0mm (.028 to .039")	CT150-2-ILSmk2
#26 to #24	ø0.9 to ø1.2mm (.035 to .047")	

Semi-Automatic Crimping Machine: 350-ILS-2

Contact Extraction Tool: ET-ILS-N03



• Please consult JAE for verification of product availability.  
 Dimensions and specifications subject to change without notice.