



Part Number
Key Word



Site Search

[TOP](#)

[NEWS RELEASE](#)

[CONNECTOR SEARCH](#)

[CATALOG](#)


[SAMPLE](#)

[STOCK CHECK](#)

[TOP](#) > [KX14-50K5D-RE](#)

Product List

Product Name	KX14-50K5D-RE
Series Name	KX14/KX15 Series
Contact spacing (mm)	0.8
Number of contacts	50
Number of rows	2
Plug/Receptacle	Receptacle
PCB mounting method	Soldering
Surface mounting flag	TRUE
PCB side connector styles	Straight
PCB mounted height (mm)	6.55
Finish of contact in connecting area	Gold over Nickel
Plating thickness of contact in connecting area (micrometer)	0.1

Finish of contact in PCB mounting area	Gold flash over Nickel
Material of insulator	Glass-filled LCP
Material of contact	Copper alloy
Existence of mismatching prevention key	Yes
Existence of positioning boss	Yes
Existence of hold-down	Yes
Existence of hook-pin	None
Remarks	
Related Documents	 139Kbytes
Pair	KX15-50K2DE KX15-50K3DE KX15-50K4DE KX15-50K8D-E650E KX15-50KLDLE KX15-50KLDP-E1000E KX15-50KLNL

Notice:

1. The values specified in this web site are only for reference. The products and their specifications are subject to change without notice. Contact our sales staff for further information before considering or ordering any of our products.
For purchase, a product specification must be agreed upon.
2. Users are requested to provide protection circuits and redundancy circuits to ensure safety of the equipment, and sufficiently review the suitability of JAE's products to the equipment.

3. The products presented in this web site are designed for the uses recommended below. We strongly suggest you contact our sales staff when considering use of any of the products in any other way than the recommended applications or for a specific use that requires an extremely high reliability.

(1) Applications that require consultation:

- (i) Please contact us if you are considering use involving a quality assurance program that you specify or that is peculiar to the industry, such as:
Automotive electrical components, train control, telecommunications devices (mainline), traffic light control, electric power, combustion control, fire prevention or security systems, disaster evention equipment, etc.
- (ii) We may separately give you our support with a quality assurance program that
you specify, when you think of a use such as :

Aviation or space equipment, submarine repeaters, nuclear power control systems, medical equipment for life support, etc.

(2) Recommended applications include:

Computers, office appliances, telecommunications devices (terminals, mobile units), measuring equipment, audiovisual equipment, home electric appliances, factory automation equipment, etc

6E1Z013P
 ('ON 0NIMVHD) 台製理図

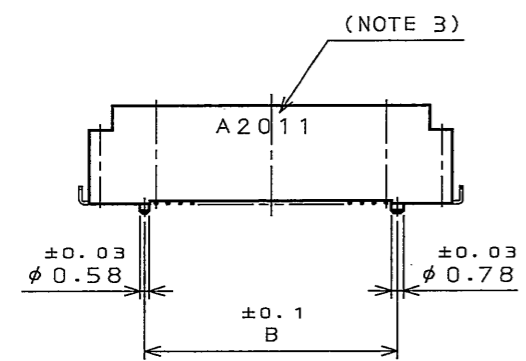
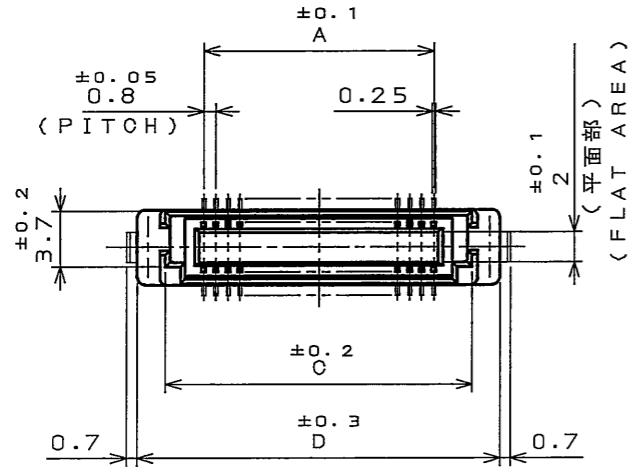
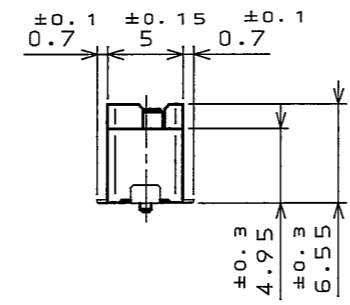


TABLE 1 CONTACT FINISH

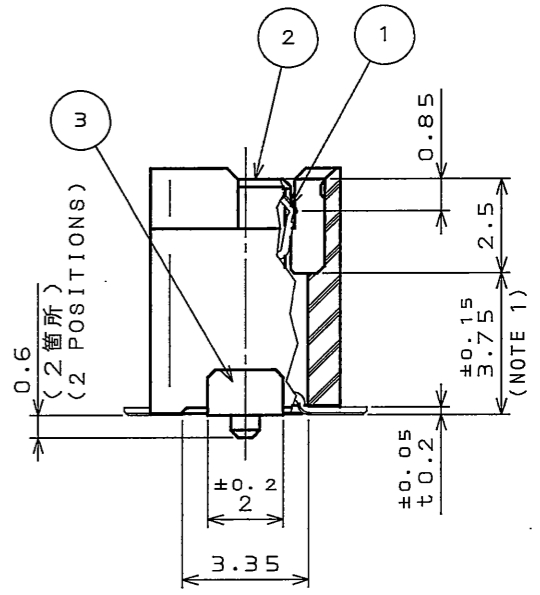
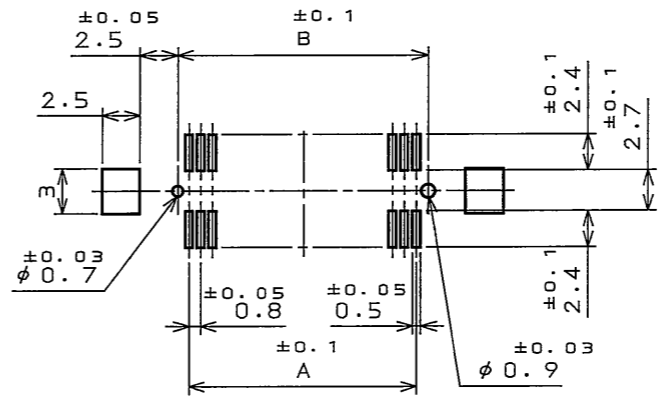
接触部仕上 CONTACT AREA	端子部仕上 TERMINAL AREA
NI上Au0.1μm以上 GOLD (0.1μm MIN) OVER NICKEL	NI上Auフラッシュ GOLD FLASH OVER NICKEL



版数 REV.	年月日 DATE	DCN NO.	変更内容 DESCRIPTION	製図 DR.	担当 CHK.	査閲 APPD.	承認 APPD.
2	2.Nov.2004	056083	CHANGED PRODUCTION LOT NUMBER		R.KATOU	M. Kimura	S. Kashiwagi

APPLICABLE P.C.B. DIMENSION (REF.)

適合基板寸法(参考)



MATED CONDITION (REF.)

嵌合状態図(参考) (SCALE 5:1)

DESIGNATION

命名法

KX14-***K5D-RE

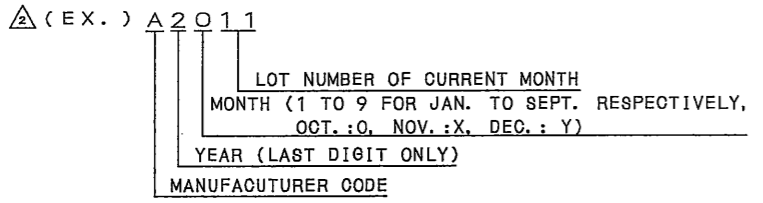
シリーズ
SERIES PREFIX
14:レセプタクル
15:プラグ
14:RECEPTACLE
15:PLUG
芯数
NO. OF CONTACTS
N:逆挿入防止キイ無
K:逆挿入防止キイ有
N:WITHOUT MISMATCHING PREVENTION KEY
K:WITH MISMATCHING PREVENTION KEY

鉛フリー
LEAD-FREE
モディファイコード
MODIFICATION CODE
マウント形状
D:位置決めボス有、ホールドダウン有
E:位置決めボス有、ホールドダウン無
MOUNT:
D:WITH POSITIONING BOSS, WITH HOLD-DOWN
E:WITH POSITIONING BOSS, WITHOUT HOLD-DOWN
平行基板間高さ
STACKING HEIGHT PER ONE SIDE, KX**.(NOTE2)

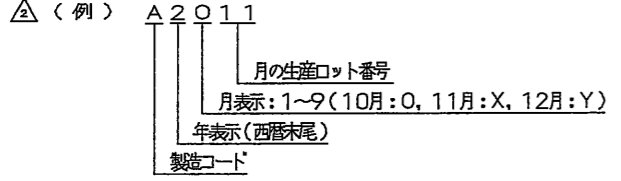
TABLE2 DIMENSION

芯数 NO. OF CONTACT	A	B	C	D
40	15.2	16.7	20.3	24
50	19.2	20.7	24.3	28

NOTE1. COPLANARITY: 0.1mm MAX.
 NOTE2. STACKING HEIGHT = HEIGHT OF KX15 OF KX14 (RECEPTACLE) + HEIGHT OF KX15 (PLUG)
 EX. :KX14-***K5, KX15-***K2 → 7mm=5+2
 NOTE3. PRODUCTION LOT NUMBER IS SHOWN AS INDICATED.



注1. 端子の平坦度は、0.1以下。
 注2. KX14(レセプタクル)の数と、KX15(プラグ)の数とを加えた値が平行基板間高さになります。
 注3. 図示の面に、ロット番号を表示する。



仕様書(SPECIFICATION)	第1版(ORIGINAL DATE)	尺度(SCALE)	シリーズ(SERIES)	備考
JACS-1401-*	19.Oct.2004	2:1	KX	日本航空電子工業株式会社 JAPAN AVIATION ELECTRONICS INDUSTRY, LTD.
公差(GENERAL TOLERANCE)	製図 DR.	名称(TITLE) KX14-***K5D-RE		
寸法(DIMENSION)	担当 CHK. R.KATOU	RECEPTACLE		
角度(ANGLES)	査閲 APPD. M.KIMURA	図面番号(DRAWING NO.) SJ102139		
. ±0.8	承認 APPD. S.KASHIWAGI	質量(MASS)		
.X ±0.4				
.XX ±0.1				
.XXX ±				

LEAD FREE この製品は鉛フリー品です

DOF-C-212E(03.08)

