



Part Number  
Key Word



Site Search

TOP

NEWS RELEASE

CONNECTOR SEARCH

CATALOG


SAMPLE

STOCK CHECK

TOP > [KX15-120K4DE](#)

## Product List

Product Name	<b>KX15-120K4DE</b>
Series Name	KX14/KX15 Series
Contact spacing (mm)	0.8
Number of contacts	120
Number of rows	2
Plug/Receptacle	Plug
PCB mounting method	Soldering
Surface mounting flag	TRUE
PCB side connector styles	Straight
PCB mounted height (mm)	5.75
Finish of contact in connecting area	Gold over Nickel
Plating thickness of contact in connecting area (micrometer)	0.1

Finish of contact in PCB mounting area	Gold flash over Nickel
Material of insulator	Glass-filled PPS
Material of contact	Copper alloy
Existence of mismatching prevention key	Yes
Existence of positioning boss	Yes
Existence of hold-down	Yes
Existence of hook-pin	None
Remarks	
Related Documents	 167Kbytes
Pair	KX14-120K2DE KX14-120K5D-C50E KX14-120K5DE KX14-120K5D-R800E

## Notice:

1. The values specified in this web site are only for reference. The products and their specifications are subject to change without notice. Contact our sales staff for further information before considering or ordering any of our products.  
For purchase, a product specification must be agreed upon.
2. Users are requested to provide protection circuits and redundancy circuits to ensure safety of the equipment, and sufficiently review the suitability of JAE's products to the equipment.

3. The products presented in this web site are designed for the uses recommended below. We strongly suggest you contact our sales staff when considering use of any of the products in any other way than the recommended applications or for a specific use that requires an extremely high reliability.

(1) Applications that require consultation:

- (i) Please contact us if you are considering use involving a quality assurance program that you specify or that is peculiar to the industry, such as:  
Automotive electrical components, train control, telecommunications devices (mainline), traffic light control, electric power, combustion control, fire prevention or security systems, disaster evention equipment, etc.
- (ii) We may separately give you our support with a quality assurance program that  
you specify, when you think of a use such as :

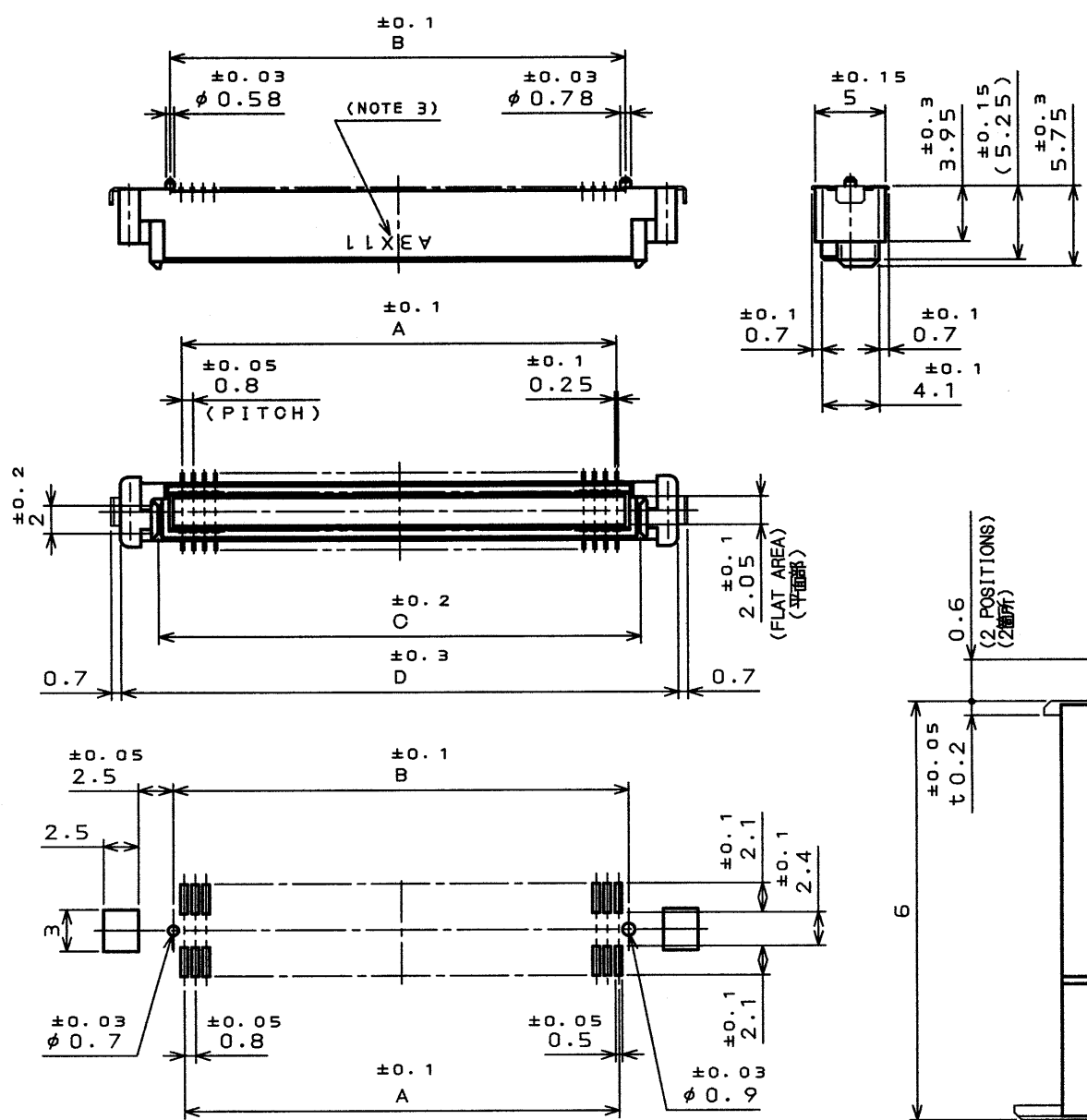
Aviation or space equipment, submarine repeaters, nuclear power control systems, medical equipment for life support, etc.

(2) Recommended applications include:

Computers, office appliances, telecommunications devices (terminals, mobile units), measuring equipment, audiovisual equipment, home electric appliances, factory automation equipment, etc

6808E0RS  
(ON DRAWING) 台番号

版数 REV.	年月日 DATE	DCN NO.	変更内容 DESCRIPTION	製図 DR.	担当 CHK.	査閲 APPD.	承認 APPD.



APPLICABLE P.C.B. DIMENSION (REF.)  
適合基板寸法 (参考)

MATED CONDITION (REF.)  
嵌合状態図 (参考)  
(SCALE 10:1)

DESIGNATION  
命名法

KX15-\*\*\*K4D\*E

SERIES PREFIX シリーズ  
14: RECEPTACLE  
15: PLUG  
14: レセプタクル  
15: プラグ

NO. OF CONTACT 芯数

(LEAD FREE) TIN/TIN ALLOY  
錫又は錫合金(無鉛)  
CONTACT FINISH (TABLE 2)  
コンタクト仕上(表2参照)

MOUNT:  
D: WITH POSITIONING BOSS. WITH HOLD-DOWN  
E: WITH POSITIONING BOSS. WITHOUT HOLD-DOWN  
マウント形状  
D: 位置決めボス有・ホルドダウン有  
E: 位置決めボス有・ホルドダウン無

STACKING HEIGHT PER ONE SIDE, KX\*\* (NOTE 2)  
平行基板間高さ(注2)

NOTE 1. COPLANARITY: 0.1mm MAX.  
2. STACKING HEIGHT = HEIGHT OF KX14 OF KX14 (RECEPTACLE) + HEIGHT OF KX15 (PLUG)  
EX. : KX14-\*\*\*K5, KX15-\*\*\*K2 → 7mm=5+2  
3. PRODUCTION LOT NUMBER IS SHOWN AS INDICATED.  
注1. 端子の平坦度は、0.1以下。  
注2. KX14(レセプタクル)の数と、KX15(プラグ)の数とを加えた値が平行基板間高さになります。  
注3. 図示の面に、ロット番号を表示する。  
(EX.) A 3 X 11  
(例) LOT NUMBER OF CURRENT MONTH  
月の生産ロット番号  
MONTH (1 TO 9 FOR JAN. TO SEPT. RESPECTIVELY, OCT.: 0 NOV.: X, DEC.: Y)  
月表示: 1~9 (10月: 0, 11月: X, 12月: Y)  
YEAR (LAST DIGIT ONLY)  
年表示 (西暦末尾)  
MANUFACTURER CODE  
製造コード

TABLE 1 DIMENTION  
表1 寸法

DEVELOPMENT CONDITION 開発状態	No. OF CONTACT 芯数	A	B	C	D
○	20	7.2	8.7	10.6	16
○	30	11.2	12.7	14.6	20
○	40	15.2	16.7	18.6	24
○	50	19.2	20.7	22.6	28
○	60	23.2	24.7	26.6	32
○	70	27.2	28.7	30.6	36
○	80	31.2	32.7	34.6	40
○	100	39.2	40.7	42.6	48
○	120	47.2	48.7	50.6	56
○	140	55.2	56.7	58.6	64

○: DEVELOPED X: DEVELOPMENT PROGRAM  
○: 開発済み X: 開発予定

TABLE 2 CONTACT FINISH  
表2 仕上

FINISH 仕上記号	CONTACT AREA 接触部仕上	TERMINAL AREA 端子部仕上
NONE 無印	GOLD (0.1μm MIN) OVER NICKEL Ni/Au0.1μm以上	GOLD FLASH OVER NICKEL Ni/Auフラッシュ
1	GOLD (0.1μm MIN) OVER NICKEL Ni/Au0.1μm以上	(LEAD FREE) TIN/TIN ALLOY 錫又は錫合金(無鉛)

3	HOLD DOWN	2	COPPER ALLOY	(LEAD FREE) TIN/TIN ALLOY
2	INSULATOR	1	GLASS FILLED PPS	COLOR : BLACK
1	CONTACT	TABLE 1	COPPER ALLOY	TABLE 2
符号 NO.	名称 DESCRIPTION	個数 QTY.	材料 MATERIAL	仕上 FINISH
仕様書(SPECIFICATION)	JACS-1401-*	第1版(ORIGINAL DATE)	3.Mar.2003	尺(SCALE)
公差(GENERAL TOLERANCE)	寸法(DIMENSION)	角度(ANGLES)	製造 DR.	製造 DR.
・ ±0.8	×° ±	・ × ±0.4	×° × ±	・ × × ±0.1
・ × × × ±		製造 CHK.	M.HIRAKI	製造 APPD.
		担当 CHK.	H.TAKAHASHI	製造 APPD.
		査閲 APPD.		製造 APPD.
		承認 APPD.	S. Kashinagi	製造 APPD.
		重量(WEIGHT)		名称(TITLE)
				KX15-***K4D*E PLUG
				備考 REMARKS
				日本航空電子工業株式会社 JAPAN AVIATION ELECTRONICS INDUSTRY, LTD.
				図面番号(DRAWING NO.)
				SJ038089
				版数 (REV.)
				1

DOF-0-212D(98.02)

80085-199-50088

LEAD FREE この製品は鉛フリー品です

JAE CONNECTOR DIV. PROPRIETARY.  
COPYRIGHT (C) 2003, JAPAN AVIATION ELECTRONICS INDUSTRY, LTD.