



Part Number  
Key Word



Site Search

TOP

NEWS RELEASE

CONNECTOR SEARCH

CATALOG


SAMPLE

STOCK CHECK

[TOP](#) > [KX15-140K2DE](#)

## Product List

Product Name	<b>KX15-140K2DE</b>
Series Name	KX14/KX15 Series
Contact spacing (mm)	0.8
Number of contacts	140
Number of rows	2
Plug/Receptacle	Plug
PCB mounting method	Soldering
Surface mounting flag	TRUE
PCB side connector styles	Straight
PCB mounted height (mm)	3.75
Finish of contact in connecting area	Gold over Nickel
Plating thickness of contact in connecting area (micrometer)	0.1

Finish of contact in PCB mounting area	Gold flash over Nickel
Material of insulator	Glass-filled PPS
Material of contact	Copper alloy
Existence of mismatching prevention key	Yes
Existence of positioning boss	Yes
Existence of hold-down	Yes
Existence of hook-pin	None
Remarks	
Related Documents	 137Kbytes
Pair	

## Notice:

1. The values specified in this web site are only for reference. The products and their specifications are subject to change without notice. Contact our sales staff for further information before considering or ordering any of our products.  
For purchase, a product specification must be agreed upon.
2. Users are requested to provide protection circuits and redundancy circuits to ensure safety of the equipment, and sufficiently review the suitability of JAE's products to the equipment.
3. The products presented in this web site are designed for the uses recommended below. We strongly suggest you contact our sales staff when considering use of any of the products in any other way than the recommended applications or for a specific use that requires an extremely high reliability.

(1) Applications that require consultation:

- (i) Please contact us if you are considering use involving a quality assurance program that you specify or that is peculiar to the industry, such as:  
Automotive electrical components, train control, telecommunications devices (mainline), traffic light control, electric power, combustion control, fire prevention or security systems, disaster evention equipment, etc.
- (ii) We may separately give you our support with a quality assurance program that  
you specify, when you think of a use such as :

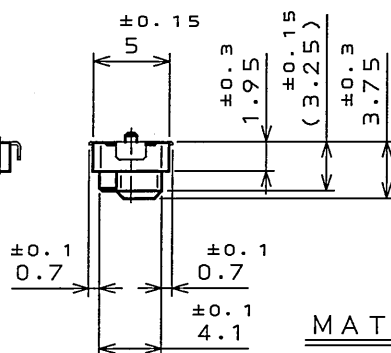
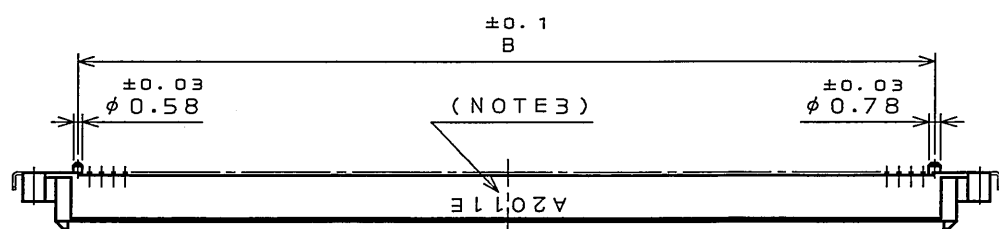
Aviation or space equipment, submarine repeaters, nuclear power control systems, medical equipment for life support, etc.

(2) Recommended applications include:

Computers, office appliances, telecommunications devices (terminals, mobile units), measuring equipment, audiovisual equipment, home electric appliances, factory automation equipment, etc

SJ037325  
(ON DRAWING) 台要図

版数 REV.	年月日 DATE	DCN NO.	変更内容 DESCRIPTION	製図 DR.	担当 CHK.	査閲 APPD.	承認 APPD.
2	3.Mar.2003	51812	ADDED ITEMS,ETC	E.MURANO	H.TAKAHASHI		K.SATOU
3	12.Nov.2003	053717	ADDED ITEMS		H.TAKAHASHI	Y.YAHIRO	<i>Morino</i>



MATED CONDITION (REF.)  
嵌合状態図(参考)

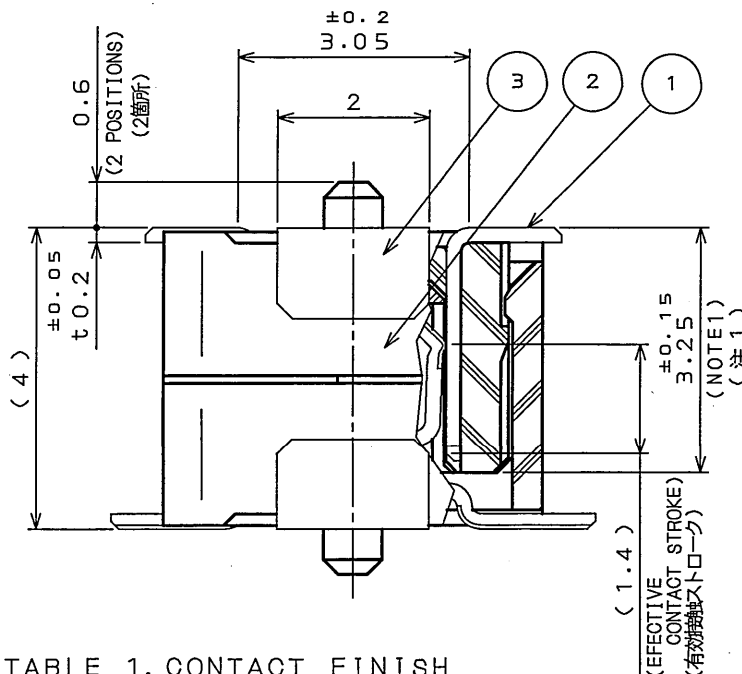
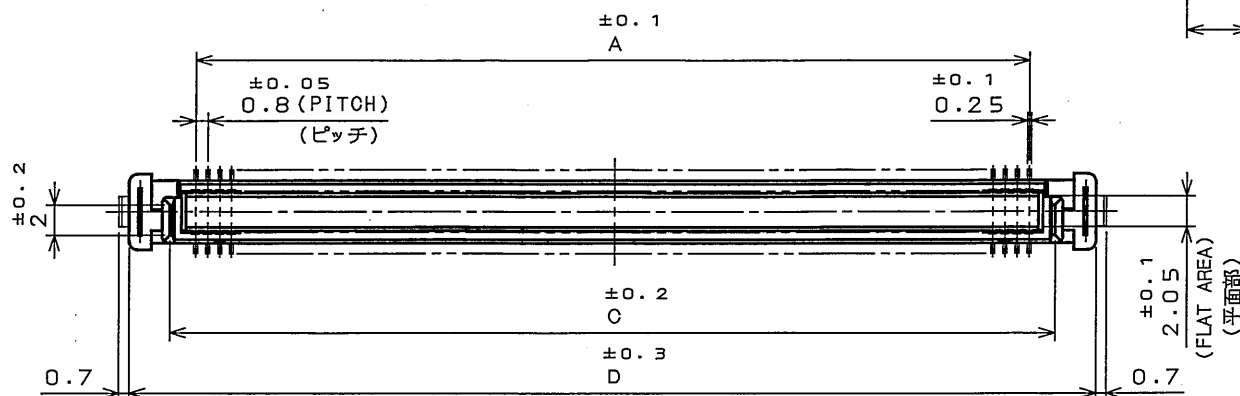


TABLE 1. CONTACT FINISH  
表1. コンタクト仕上

FINISH 仕上記号	CONTACT AREA 接触部仕上	TERMINAL AREA 端子部仕上
NONE 無印	GOLD (0.1μm MIN) OVER NICKEL Ni/Au0.1μm以上	GOLD FLASH OVER NICKEL Ni/Auフラッシュ
1	GOLD (0.1μm MIN) OVER NICKEL Ni/Au0.1μm以上	(LEAD FREE)TIN/TIN ALLOY 錫又は錫合金(無鉛)

TABLE 1 DIMENSION

表1 寸法

DEVELOPMENT CONDITION 開発状態	NO. OF CONTACT 芯数	A	B	C	D
○	20	7.2	8.7	10.6	16
○	30	11.2	12.7	14.6	20
○	40	15.2	16.7	18.6	24
○	50	19.2	20.7	22.6	28
○	60	23.2	24.7	26.6	32
○	70	27.2	28.7	30.6	36
○	80	31.2	32.7	34.6	40
○	100	39.2	40.7	42.6	48
○	120	47.2	48.7	50.6	56
○	140	55.2	56.7	58.6	64

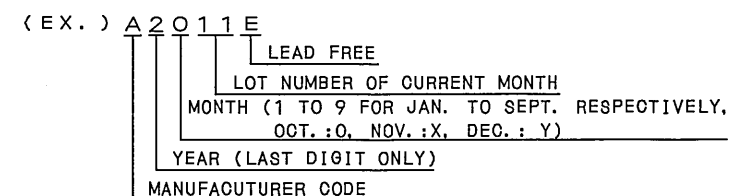
○: DEVELOPED X: DEVELOPMENT PROGRAM  
○: 開発済み X: 開発予定

NOTE1. COPLANARITY: 0.1mm MAX.

NOTE2. STACKING HEIGHT = HEIGHT OF KX15 OF KX14 (RECEPTACLE) + HEIGHT OF KX15 (PLUG)

EX. : KX14-\*\*\*K5, KX15-\*\*\*K2 → 7mm+5+2

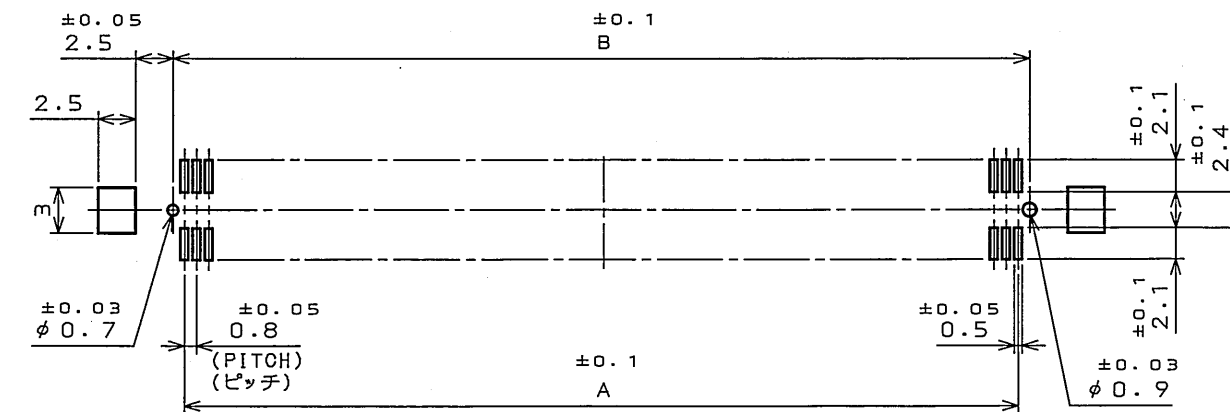
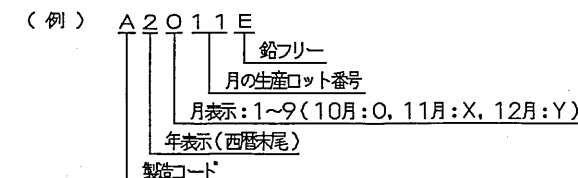
NOTE3. PRODUCTION LOT NUMBER IS SHOWN AS INDICATED.



注1. 端子の平坦度は、0.1以下。

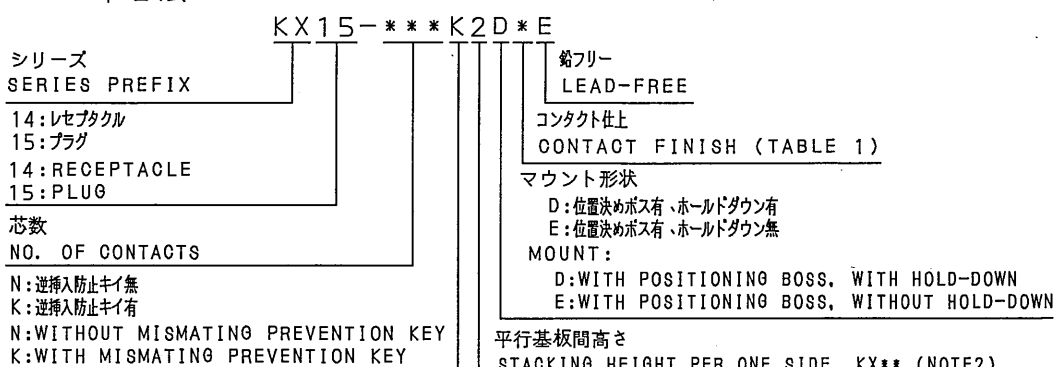
注2. KX14(レセプタクル)の数と、KX15(プラグ)の数とを加えた値が平行基板間高さになります。

注3. 図示の面に、ロット番号を表示する。



APPLICABLE P.C.B. DIMENSION (REF.)  
適合基板寸法(参考)

DESIGNATION  
命名法



符号 NO.	名称 DESCRIPTION	個数 QTY.	材料 MATERIAL	仕上 FINISH	備考 REMARKS
3	HOLD DOWN	2	COPPER ALLOY	(LEAD FREE)TIN/TIN ALLOY 錫又は錫合金(無鉛)	
2	INSULATOR	1	GLASS FILLED PPS		UL94V-0 COLOR: BLACK
1	CONTACT	***	COPPER ALLOY	TABLE 1	
仕様書(SPECIFICATION) JACS-1401-*		第1版(ORIGINAL DATE) 21.Oct.2002		尺規(SCALE) シリウス	
公差(GENERAL TOLERANCE)		製図 DR.		名称(TITLE) Reference Only	
寸法(DIMENSION)		担当 CHK. M.SASAKI		△ KX15-***K2D*E	
角度(ANGLES)		査閲 APPD. K.KAWASE		PLUG	
. ±0.8		承認 APPD. T.MORINO		重量(WEIGHT)	
.X ±0.4				⊕	
.XX ±0.1				図面番号(DRAWING NO.)	
.XXX ±				SJ037325	