



Part Number
Key Word



Site Search

TOP

NEWS RELEASE

CONNECTOR SEARCH

CATALOG

SAMPLE

STOCK CHECK

TOP > [KX15-60K3DE](#)

Product List

Product Name	KX15-60K3DE
Series Name	KX14/KX15 Series
Contact spacing (mm)	0.8
Number of contacts	60
Number of rows	2
Plug/Receptacle	Plug
PCB mounting method	Soldering
Surface mounting flag	TRUE
PCB side connector styles	Straight
PCB mounted height (mm)	4.75
Finish of contact in connecting area	Gold over Nickel
Plating thickness of contact in connecting area (micrometer)	0.1

Finish of contact in PCB mounting area	Gold flash over Nickel
Material of insulator	Glass-filled PPS
Material of contact	Copper alloy
Existence of mismatching prevention key	Yes
Existence of positioning boss	Yes
Existence of hold-down	Yes
Existence of hook-pin	None
Remarks	
Related Documents	DWG 169Kbytes
Pair	KX14-60K11DE KX14-60K14DE KX14-60K2DE KX14-60K2F-E1000E KX14-60K5DE KX14-60K8D-E650E

Notice:

1. The values specified in this web site are only for reference. The products and their specifications are subject to change without notice. Contact our sales staff for further information before considering or ordering any of our products.
For purchase, a product specification must be agreed upon.
2. Users are requested to provide protection circuits and redundancy circuits to ensure safety of the equipment, and sufficiently review the suitability of JAE's products to the equipment.

3. The products presented in this web site are designed for the uses recommended below. We strongly suggest you contact our sales staff when considering use of any of the products in any other way than the recommended applications or for a specific use that requires an extremely high reliability.

(1) Applications that require consultation:

- (i) Please contact us if you are considering use involving a quality assurance program that you specify or that is peculiar to the industry, such as:
Automotive electrical components, train control, telecommunications devices (mainline), traffic light control, electric power, combustion control, fire prevention or security systems, disaster evention equipment, etc.
- (ii) We may separately give you our support with a quality assurance program that
you specify, when you think of a use such as :

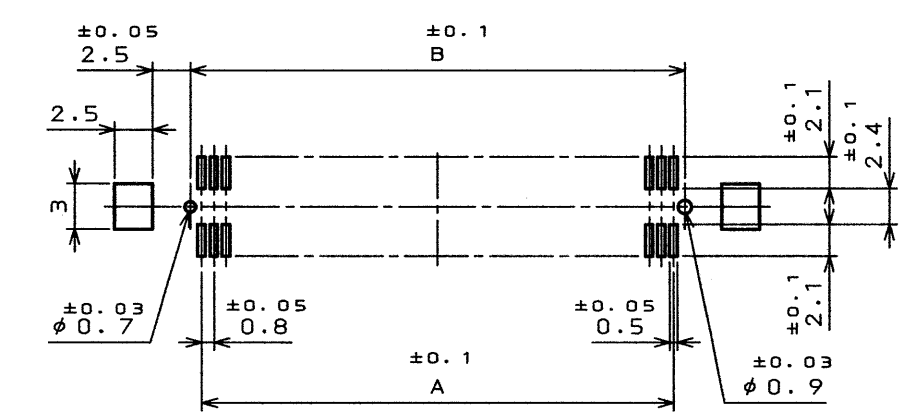
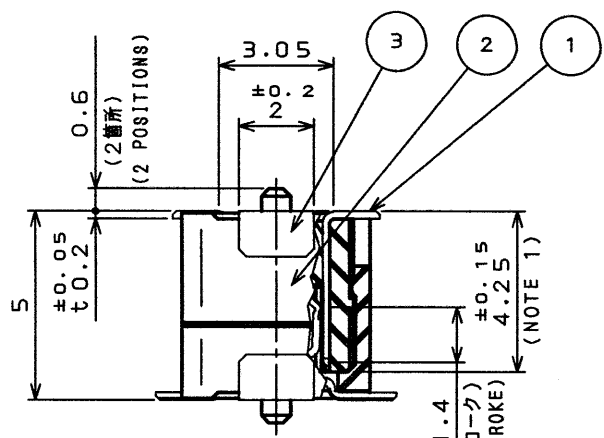
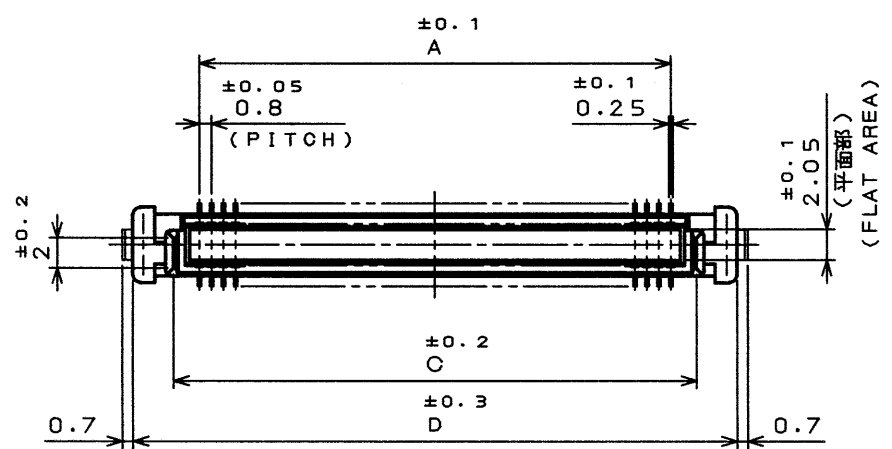
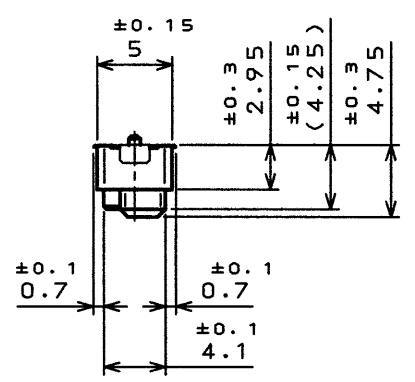
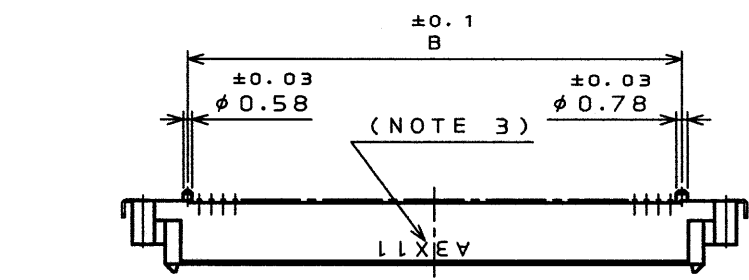
Aviation or space equipment, submarine repeaters, nuclear power control systems, medical equipment for life support, etc.

(2) Recommended applications include:

Computers, office appliances, telecommunications devices (terminals, mobile units), measuring equipment, audiovisual equipment, home electric appliances, factory automation equipment, etc

8808E0FS
(ON 0NIMVHD)台線図

版数 REV.	年月日 DATE	DCN NO.	変更内容 DESCRIPTION	製図 DR.	担当 CHK.	査閲 APPD.	承認 APPD.



DESIGNATION
命名法

KX15-***K3D*E

錫又は錫合金(無鉛)
(LEAD FREE)TIN/TIN ALLOY
CONTACT FINISH (TABLE 2)
マウント形状
D:位置決めボス有、ホールダウン有
E:位置決めボス有、ホールダウン無
MOUNT:
D:WITH POSITIONING BOSS, WITH HOLD-DOWN
E:WITH POSITIONING BOSS, WITHOUT HOLD-DOWN
平行基板間高さ
STACKING HEIGHT PER ONE SIDE, KX**.(NOTE2)
N:逆挿入防止キイ無
K:逆挿入防止キイ有
N:WITHOUT MISMATING PREVENTION KEY
K:WITH MISMATING PREVENTION KEY

芯数
NO. OF CONTACTS

14:レセプタクル
15:プラグ
14:RECEPTACLE
15:PLUG

シリーズ
SERIES PREFIX

TABLE 1 DIMENSION

開発状態 DEVELOPMENT CONDITION	芯数 NO. OF CONTACT	A	B	C	D
○	20	7.2	8.7	10.6	16
○	30	11.2	12.7	14.6	20
○	40	15.2	16.7	18.6	24
○	50	19.2	20.7	22.6	28
○	60	23.2	24.7	26.6	32
○	70	27.2	28.7	30.6	36
○	80	31.2	32.7	34.6	40
○	100	39.2	40.7	42.6	48
○	120	47.2	48.7	50.6	56
○	140	55.2	56.7	58.6	64
○	160	63.2	64.7	66.6	72

○:開発済み X:開発予定
:DEVELOPED :DEVELOPMENT PROGRAM

TABLE 2 CONTACT FINISH

仕上り FINISH	接触部仕上 CONTACT AREA	端子部仕上 TERMINAL AREA
無印 NONE	NI上AuO. 1μm以上 GOLD (0.1μm MIN) OVER NICKEL	NI上Auフラッシュ GOLD FLASH OVER NICKEL
1	NI上AuO. 1μm以上 GOLD (0.1μm MIN) OVER NICKEL	NI上錫又は錫合金(無鉛) (LEAD FREE) TIN/TIN ALLOY

MATED CONDITION (REF.)

嵌合状態図(参考) (SCALE 5:1)

APPLICABLE P.C.B. DIMENSION (REF.)

適合基板寸法(参考)

NOTE 1. COPLANARITY:0.1mm MAX.
2. STACKING HEIGHT = HEIGHT OF KX14 (RECEPTACLE)
+ HEIGHT OF KX15 (PLUG)
EX.:KX14-***K2, KX15-***K3 → 5mm=2+3
3. PRODUCTION LOT NUMBER AS INDICATED.
(EX.) A3X11
LOT NUMBER OF CURRENT MONTH
MONTH (1 TO 9 FOR JAN. TO SEPT. RESPECTIBELY,
OCT. :0, NOV. :X, DEC. :Y)
YEAR (LAST DIGIT ONLY)
MANUFACTURER CODE

1. 端子の平坦度は、0.1以下。
2. KX14(レセプタクル)の数と、KX15(プラグ)の
数とを加えた値が平行基板間高さになります。
3. 図示の面に、ロット番号を表示する。
(例) A3X11
月の生産ロット番号
月表示:1~9(10月:0, 11月:X, 12月:Y)
年表示(西暦末尾)
製造コード

3	HOLD DOWN	2	COPPER ALLOY	(LEAD FREE)TIN/TIN ALLOY	
2	INSULATOR	1	GLASS FILLED PPS		COLOR : BLACK
1	CONTACT	TABLE 1	COPPER ALLOY	TABLE 2	
符号 NO.	名称 DESCRIPTION	個数 QTY.	材料 MATERIAL	仕上 FINISH	備考 REMARKS
仕様書(SPECIFICATION) JACS-1401-*	第1版(ORIGINAL DATE) 3.Mar.2003	尺(SCALE) 2:1	シリーズ(SERIES) KX	日本航空電子工業株式会社 JAPAN AVIATION ELECTRONICS INDUSTRY, LTD.	
製図 DR.	M.HIRAKI	名称(TITLE) KX15-***K3D*E PLUG	重量(WEIGHT)	図面番号(DRAWING NO.) SJ038088	版数 (REV.) 1
担当 CHK.	H.TAKAHASHI				
査閲 APPD.					
承認 APPD.	S. Kasinagi				
公差(GENERAL TOLERANCE)					
寸法(DIMENSION)	±0.8	角度(ANGLES)	X° ±		
	.X ±0.4		X°X' ±		
	.XX ±0.1				
	.XXX ±				

LEAD FREE この製品は鉛フリー品です

JAE CONNECTOR DIV. PROPRIETARY.
COPYRIGHT (C) 2003, JAPAN AVIATION ELECTRONICS INDUSTRY, LTD.

DOF-0-212D(98.02)

CDS-03-199-50088

