



Part Number
Key Word



Site Search

TOP

NEWS RELEASE

CONNECTOR SEARCH

CATALOG

SAMPLE

STOCK CHECK

[TOP](#) > [KX15-60K4DE](#)

Product List

| | |
|--|--------------------|
| Product Name | KX15-60K4DE |
| Series Name | KX14/KX15 Series |
| Contact spacing (mm) | 0.8 |
| Number of contacts | 60 |
| Number of rows | 2 |
| Plug/Receptacle | Plug |
| PCB mounting method | Soldering |
| Surface mounting flag | TRUE |
| PCB side connector styles | Straight |
| PCB mounted height (mm) | 5.75 |
| Finish of contact in connecting area | Gold over Nickel |
| Plating thickness of contact in connecting area (micrometer) | 0.1 |

| | |
|---|---|
| Finish of contact in PCB mounting area | Gold flash over Nickel |
| Material of insulator | Glass-filled PPS |
| Material of contact | Copper alloy |
| Existence of mismatching prevention key | Yes |
| Existence of positioning boss | Yes |
| Existence of hold-down | Yes |
| Existence of hook-pin | None |
| Remarks | |
| Related Documents | DWG 167Kbytes |
| Pair | KX14-60K11DE KX14-60K14DE KX14-60K2DE KX14-60K2F-E1000E KX14-60K5DE KX14-60K8D-E650E |

Notice:

1. The values specified in this web site are only for reference. The products and their specifications are subject to change without notice. Contact our sales staff for further information before considering or ordering any of our products.
For purchase, a product specification must be agreed upon.
2. Users are requested to provide protection circuits and redundancy circuits to ensure safety of the equipment, and sufficiently review the suitability of JAE's products to the equipment.

3. The products presented in this web site are designed for the uses recommended below. We strongly suggest you contact our sales staff when considering use of any of the products in any other way than the recommended applications or for a specific use that requires an extremely high reliability.

(1) Applications that require consultation:

- (i) Please contact us if you are considering use involving a quality assurance program that you specify or that is peculiar to the industry, such as:
Automotive electrical components, train control, telecommunications devices (mainline), traffic light control, electric power, combustion control, fire prevention or security systems, disaster evention equipment, etc.
- (ii) We may separately give you our support with a quality assurance program that
you specify, when you think of a use such as :

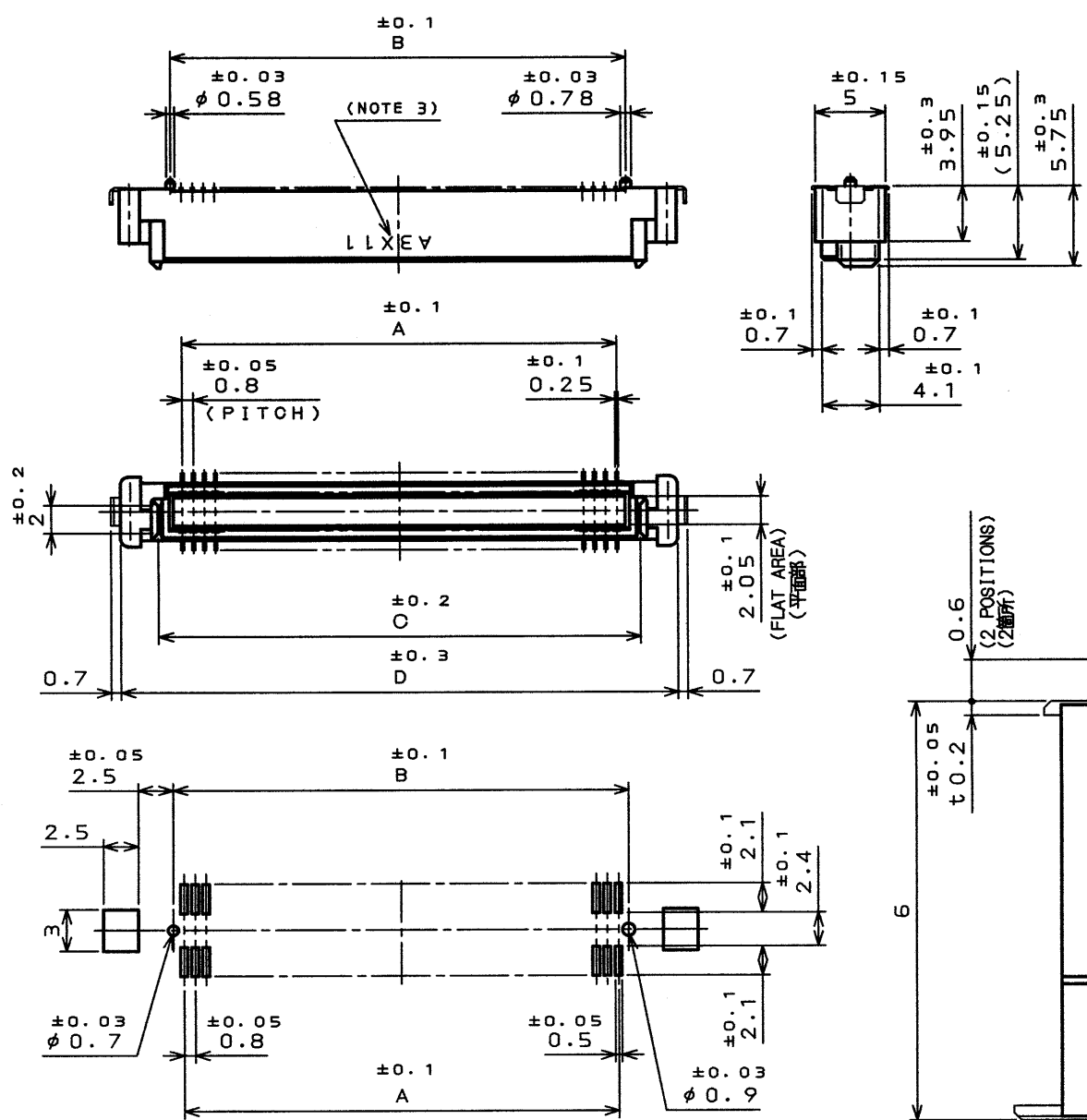
Aviation or space equipment, submarine repeaters, nuclear power control systems, medical equipment for life support, etc.

(2) Recommended applications include:

Computers, office appliances, telecommunications devices (terminals, mobile units), measuring equipment, audiovisual equipment, home electric appliances, factory automation equipment, etc

6808E0RS
(ON DRAWING) 台番号

| 版数 REV. | 年月日 DATE | DCN NO. | 変更内容 DESCRIPTION | 製図 DR. | 担当 CHK. | 査閲 APPD. | 承認 APPD. |
|------------|-------------|---------|---------------------|-----------|------------|-------------|-------------|
| | | | | | | | |



APPLICABLE P.C.B. DIMENSION (REF.)
適合基板寸法 (参考)

MATED CONDITION (REF.)
嵌合状態図 (参考)
(SCALE 10:1)

DESIGNATION
命名法

KX15-***K4D*E

SERIES PREFIX シリーズ
14: RECEPTACLE
15: PLUG
14: レセプタクル
15: プラグ

NO. OF CONTACT 芯数

(LEAD FREE) TIN/TIN ALLOY
錫又は錫合金 (無鉛)

CONTACT FINISH (TABLE 2)
コンタクト仕上 (表2参照)

MOUNT:
D: WITH POSITIONING BOSS. WITH HOLD-DOWN
E: WITH POSITIONING BOSS. WITHOUT HOLD-DOWN
マウント形状
D: 位置決めボス有、ホルルドダウン有
E: 位置決めボス有、ホルルドダウン無

STACKING HEIGHT PER ONE SIDE, KX** (NOTE2)
平行基板間高さ (注2)

NOTE1. COPLANARITY: 0.1mm MAX.
2. STACKING HEIGHT = HEIGHT OF KX15 OF KX14 (RECEPTACLE) + HEIGHT OF KX15 (PLUG)
EX. : KX14-***K5, KX15-***K2 → 7mm=5+2
3. PRODUCTION LOT NUMBER IS SHOWN AS INDICATED.
注1. 端子の平坦度は、0.1以下。
注2. KX14 (レセプタクル) の数と、KX15 (プラグ) の数とを加えた値が平行基板間高さになります。
注3. 図示の面に、ロット番号を表示する。
(EX.) A 3 X 11
(例) A 3 X 11

TABLE 1 DIMENTION
表1 寸法

| DEVELOPMENT CONDITION 開発状態 | No. OF CONTACT 芯数 | A | B | C | D |
|-------------------------------|----------------------|------|------|------|----|
| ○ | 20 | 7.2 | 8.7 | 10.6 | 16 |
| ○ | 30 | 11.2 | 12.7 | 14.6 | 20 |
| ○ | 40 | 15.2 | 16.7 | 18.6 | 24 |
| ○ | 50 | 19.2 | 20.7 | 22.6 | 28 |
| ○ | 60 | 23.2 | 24.7 | 26.6 | 32 |
| ○ | 70 | 27.2 | 28.7 | 30.6 | 36 |
| ○ | 80 | 31.2 | 32.7 | 34.6 | 40 |
| ○ | 100 | 39.2 | 40.7 | 42.6 | 48 |
| ○ | 120 | 47.2 | 48.7 | 50.6 | 56 |
| ○ | 140 | 55.2 | 56.7 | 58.6 | 64 |

○: DEVELOPED ×: DEVELOPMENT PROGRAM
○: 開発済み ×: 開発予定

TABLE 2 CONTACT FINISH
表2 仕上

| FINISH 仕上記号 | CONTACT AREA 接触部仕上 | TERMINAL AREA 端子部仕上 |
|----------------|---|---|
| NONE 無印 | GOLD (0.1μm MIN) OVER NICKEL Ni/Au0.1μm以上 | GOLD FLASH OVER NICKEL Ni/Auフラッシュ |
| 1 | GOLD (0.1μm MIN) OVER NICKEL Ni/Au0.1μm以上 | (LEAD FREE) TIN/TIN ALLOY 錫又は錫合金 (無鉛) |

| 符号 NO. | 名称 DESCRIPTION | 個数 QTY. | 材料 MATERIAL | 仕上 FINISH | 備考 REMARKS |
|------------------------------------|-------------------|-----------------------------------|------------------|-------------------------------------|---------------|
| 3 | HOLD DOWN | 2 | COPPER ALLOY | (LEAD FREE) TIN/TIN ALLOY | |
| 2 | INSULATOR | 1 | GLASS FILLED PPS | | COLOR : BLACK |
| 1 | CONTACT | TABLE 1 | COPPER ALLOY | TABLE 2 | |
| 仕様書 (SPECIFICATION) JACS-1401-* | | 第1版 (ORIGINAL DATE) 3.Mar.2003 | | 尺 (SCALE) 2:1 | |
| 公差 (GENERAL TOLERANCE) | | 製図 DR. M.HIRAKI | | 名称 (TITLE) KX15-***K4D*E PLUG | |
| 寸法 (DIMENSION) | | 担当 CHK. H.TAKAHASHI | | 重量 (WEIGHT) | |
| 角度 (ANGLES) | | 査閲 APPD. | | 承認 APPD. S. Kashinagi | |
| . ±0.8 ×° ± | | 承認 APPD. | | 図面番号 (DRAWING NO.) SJ038089 | |
| .X ±0.4 ×°X ± | | 承認 APPD. | | 版数 (REV.) 1 | |
| .XX ±0.1 | | 承認 APPD. | | | |
| .XXX ± | | 承認 APPD. | | | |

LEAD FREE この製品は鉛フリー品です

DOF-0-212D(98.02)

80085-199-50088