

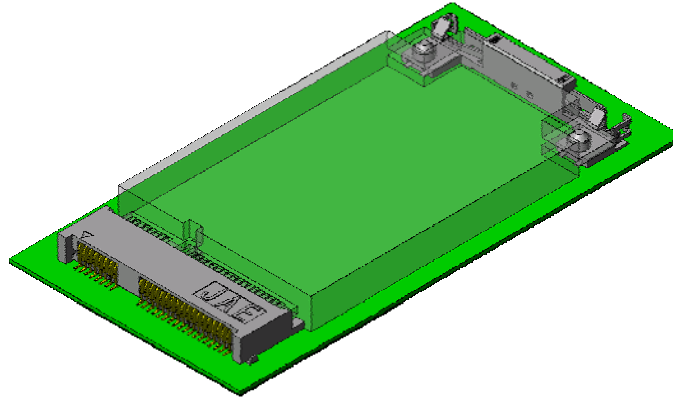
NEW


Compatible to PCI Express Mini Card

CONNECTOR

MB-0147-2

July 2006

MM60 Series**RoHS Compliant**

The MM60 series is a module socket compatible to specifications standardized in the PCI-SIG

Features

- Compatible to PCI Express Mini Card Electromechanical SPEC and can be used for connection with PCI Express and modules for USB transmission.
- Available with fixing latch for the whole connector and module.
Latch will have operating portion on both ends for module ejection.
- Two types of module mounting heights are developed.
Stand-off product is able to compile items under 1.8mm lower module compile height.
- Connector and latch are compatible to automatic mounting.
Packing form is an embossed tape.

General Specifications

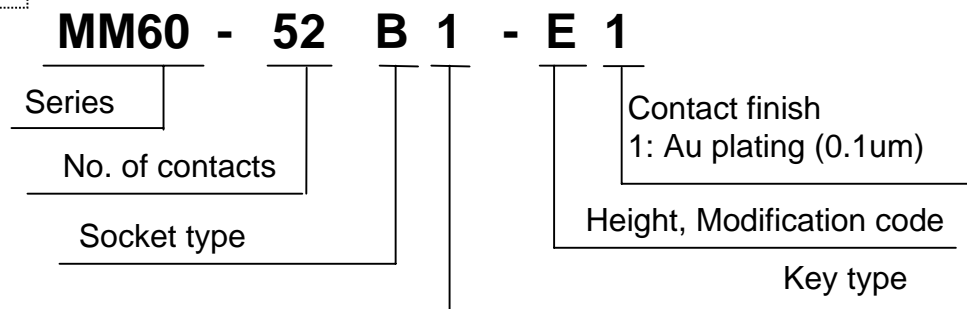
- No. of contacts: 52 pos.
- Contact resistance: 55m ohm max. (initial)
- Dielectric withstanding voltage: AC 300Vr.m.s (per minute)
- Operating temperature: -40 to +80 Deg. C
- Rated Current: 0.5A per pin
- Life time: 50 times
- Insertion loss: -1dB min.(1.25Ghz max.)/-5dB min.(3.75Ghz max.)
- Return loss: -12dBmax.(1.3GHz max.)/-7dB max.(2Ghz max.)-4dB(3.75GHz max.)
- Cross talk(near end): -32dB max.(1.25Ghz max.)/-26dBmax.(3.75Ghz max.)

Materials and Finishes

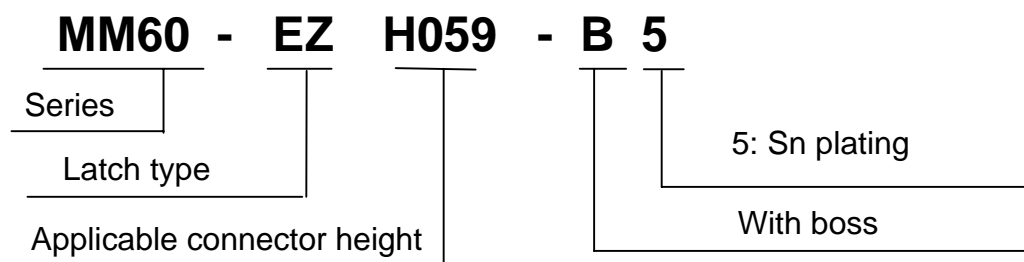
Components	Materials/ Finishes
Connector	
Contact	Copper alloy/ contact area: Au plating over Ni terminal area: Au flash over Ni
Insulator	Heat resistant material (UL94V-0)
Hold down	Copper alloy/ Sn plating
Latch	
Contact	Stainless steel/ Sn plating
Insulator	Heat resistant material (UL94V-0)

Ordering Information

Connector



Latch

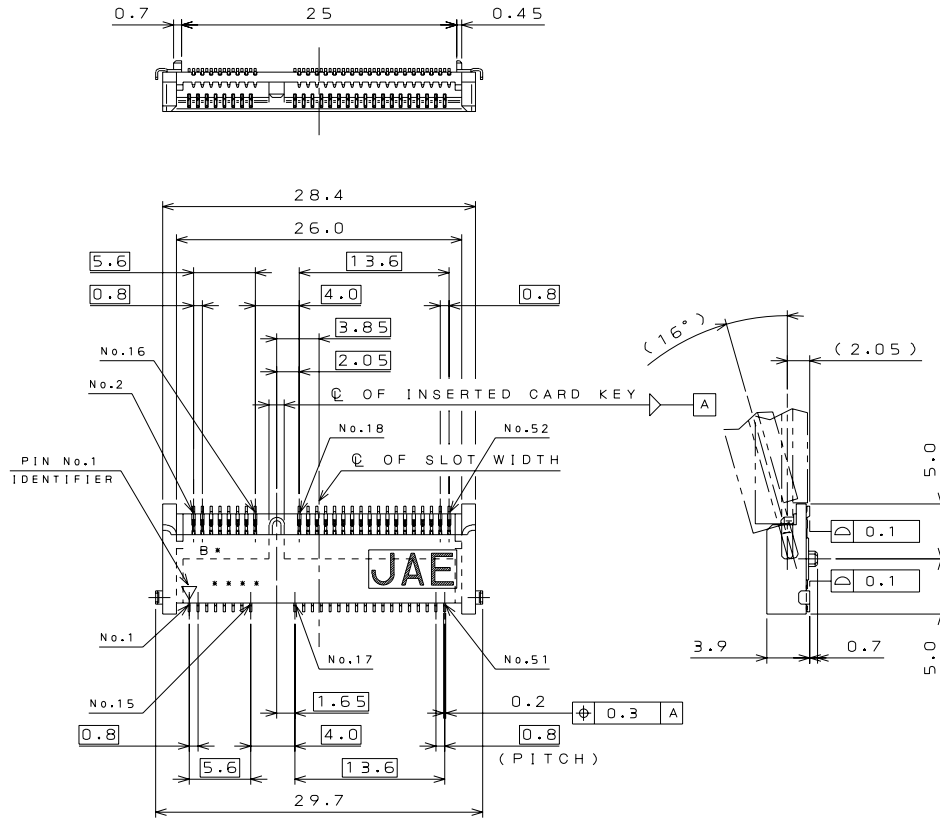


Combination

	Connector	Latch
Height 1	MM60-52B1-B2	MM60-EZH039-B5
Height 2	MM60-52B1-E1	MM60-EZH058-B5

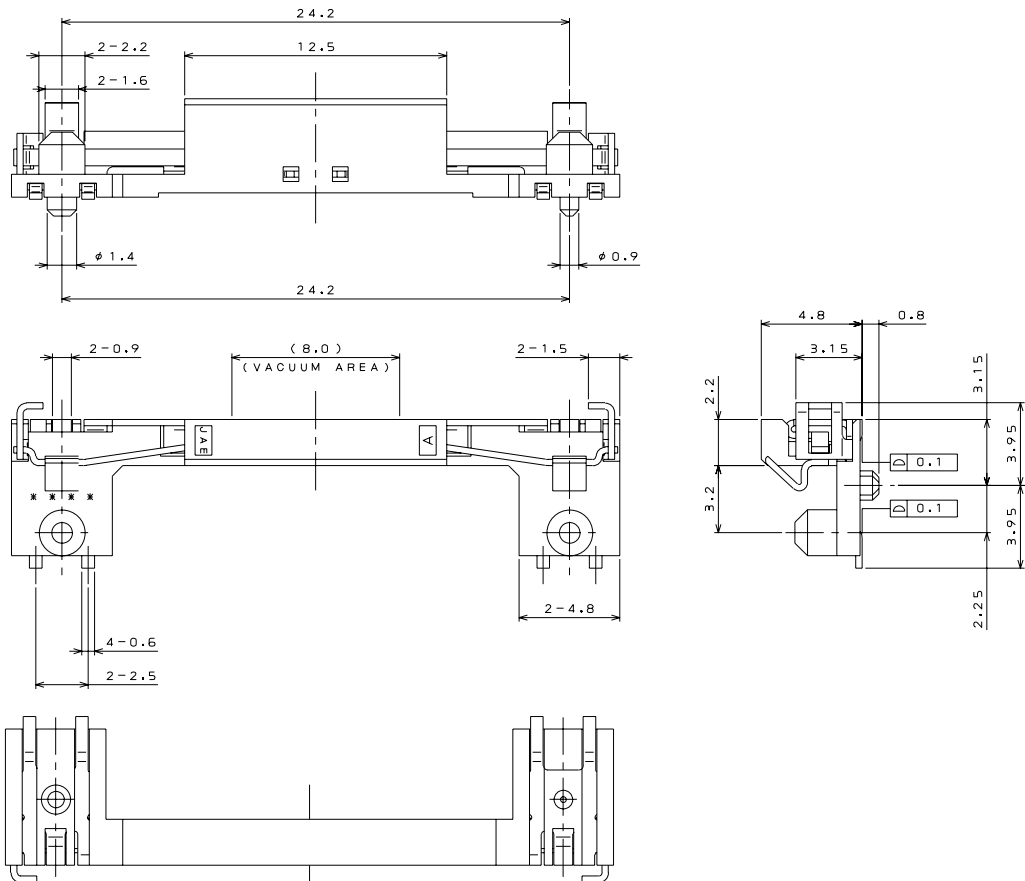
Connector side: MM60-52B1-B2 (SJ105215)

Embossed Tape Product: MM60-52B1-B*-R600 (SJ105216)



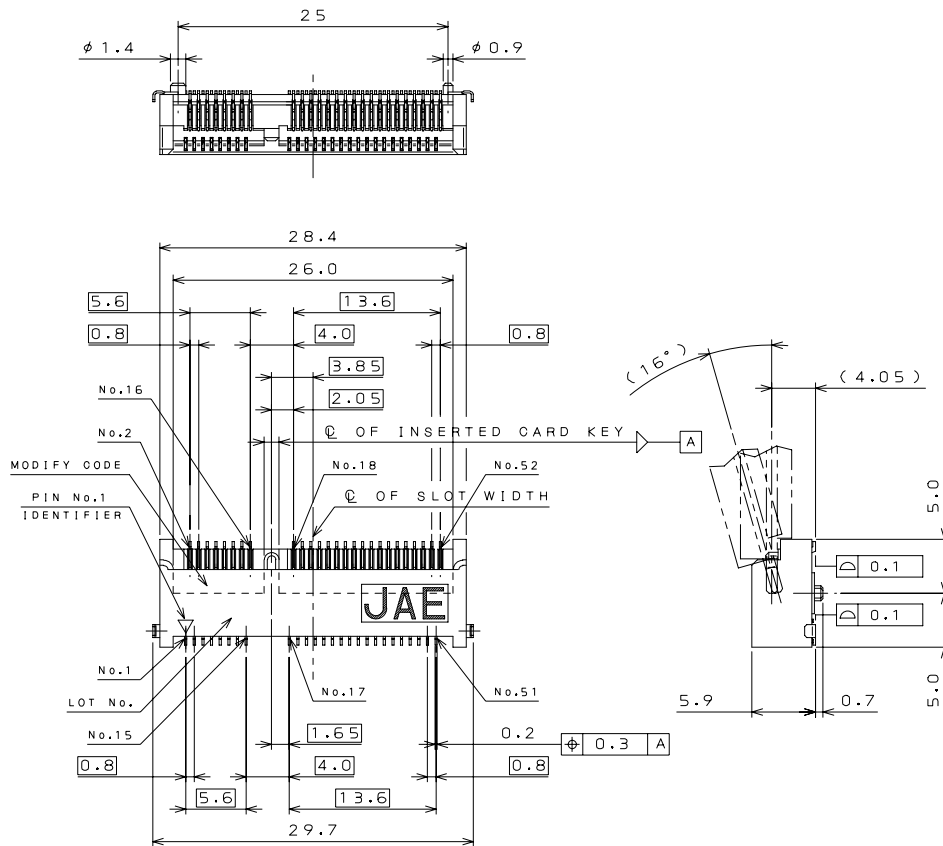
Latch side: MM60-EZH039-B5 (SJ105217)

Embossed Tape Product: MM60-EZH039-B*-R600 (SJ105218)



Connector side: MM60-52B1-E1 (SJ105219)

Embossed Tape Product: MM60-52B1-E*-R500 (SJ105220)



Latch side: MM60-EZH058-B5 (SJ105221)

Embossed Tape Product: MM60-EZH058-B*-R500 (SJ105222)

