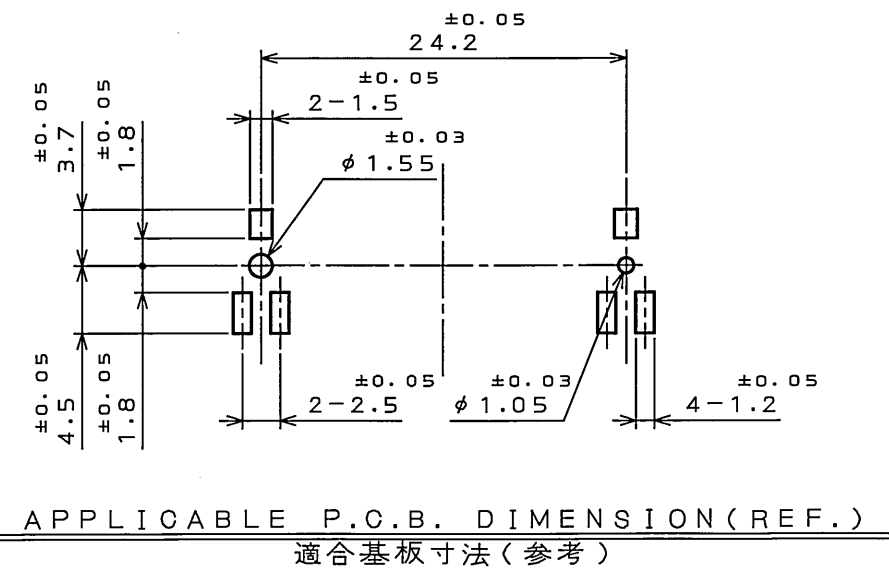
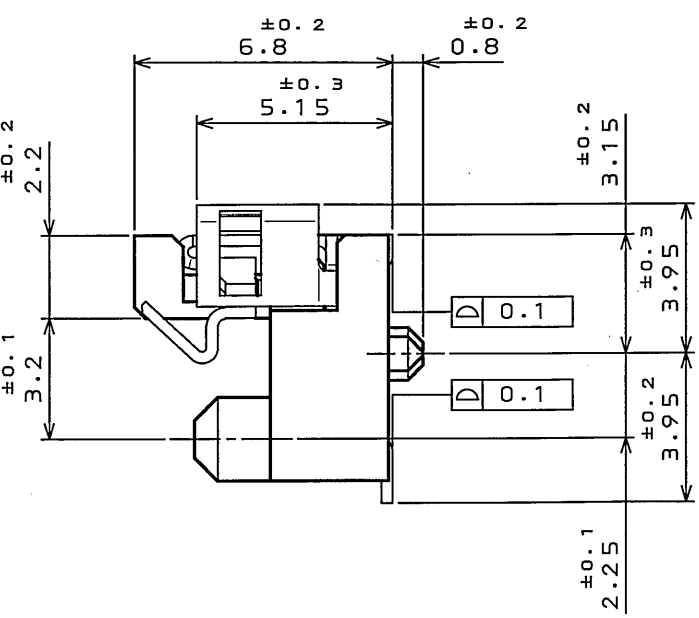
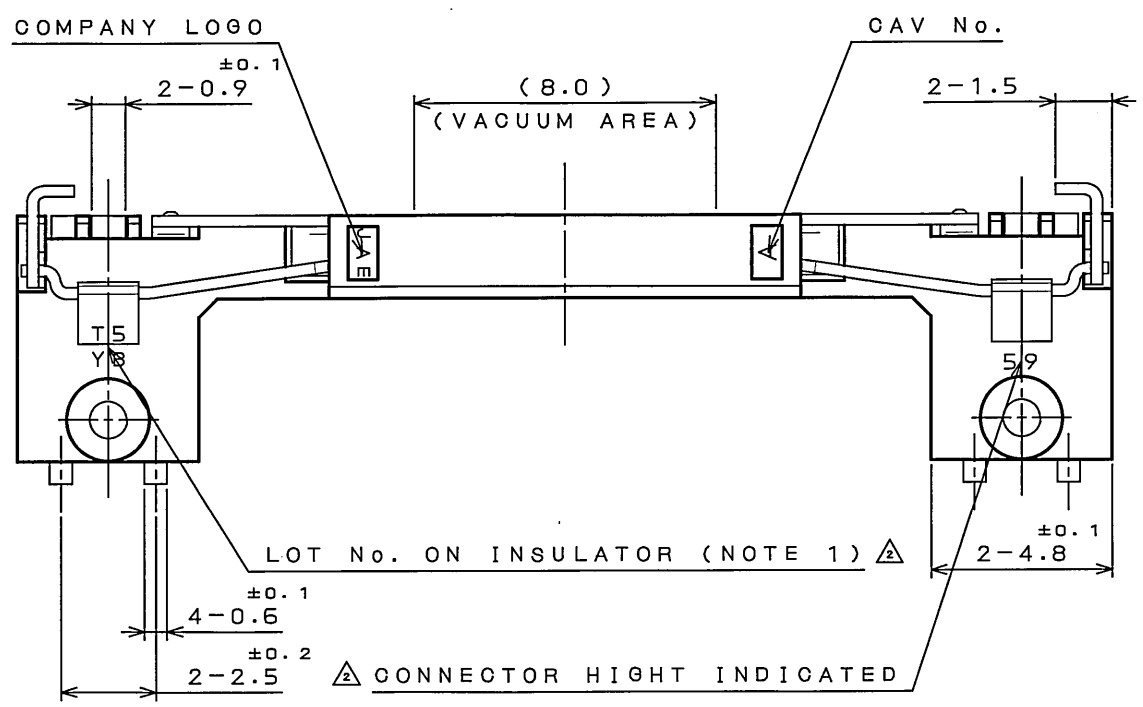


LZZ501RS
(ON ENIMVHD)台架図

DESIGNATION

MM60-EZH059-B5
 SERIES PREFIX
 LATCH TYPE
 5.9mm: CONNECTOR HIGHT
 CONTACT FINISH
 5:TIN PLATING
 WITH BOSS

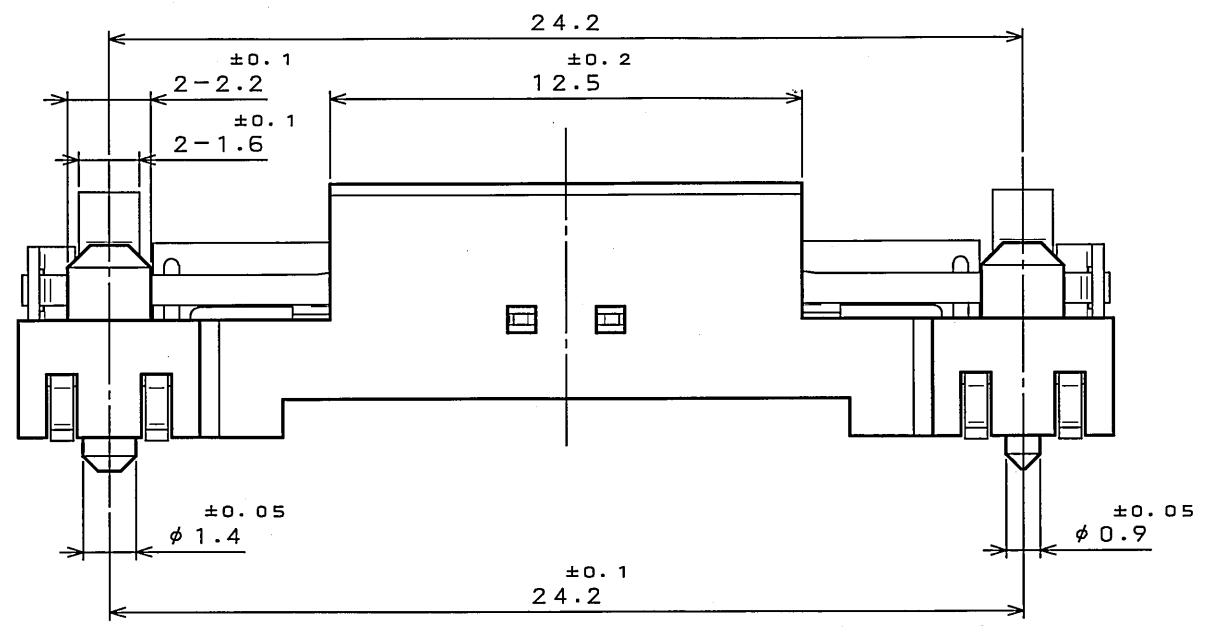
版数 REV.	年月日 DATE	DCN NO.	変更内容 DESCRIPTION	製図 DR.	担当 CHK.	査閲 APPD.	承認 APPD.
2	23.Jan.2006	059045	CHANGED LOT No. INDICATION METHOD		Y.YAHIRO		K.HISATOMI



NOTE 1. PRODUCTION LOT No. AS INDICATED.

(Ex.) T5YB
 LOT NUMBER OF CURRENT MONTH
 MONTH (1 TO 9 FOR JAN. TO SEPT. RESPECTIVELY, OCT.:0, NOV.:X, DEC.:Y)
 YEAR (LAST DIGIT ONLY)
 MANUFACTURE CODE

NOTE 2. REFER THE DRAWING SJ105219(MM60-52B1-E*) FOR CONNECTOR DIMENSIONS.



2	INSULATOR	1	THERMOPLASTIC	UL94 V-0
1	CONTACT	1	STAINLESS TIN PLATING	
符号 NO.	名称 DESCRIPTION	個数 QTY.	材料 MATERIAL	仕上 FINISH
仕様書(SPECIFICATION)		第1版(ORIGINAL DATE)	尺度(SCALE)	シリーズ(SERIES)
JACS-10313		5.Dec.2005	5:1	MM60
公差差(GENERAL TOLERANCE)		製図 DR.	名称(TITLE)	
寸法(DIMENSION) 角度(ANGLES)		担当 CHK.	MM60	
. ±0.8	X° ±	査閲 APPD.	-EZH059-B5	
.X ±0.4	X°X' ±	承認 APPD.	質量(MASS)	
.XX ±0.1		K.HISATOMI	日本航空電子工業株式会社	
.XXX ±			JAPAN AVIATION ELECTRONICS INDUSTRY, LTD.	
				図面番号(DRAWING NO.)
				SJ105221
				版数 (REV.)
				2

DDF-0-212F(05.08)

