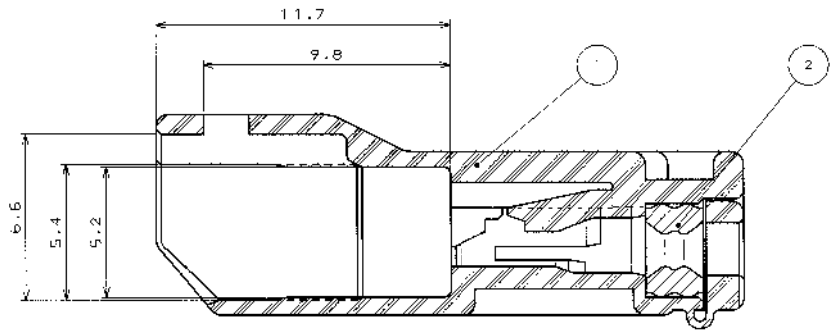
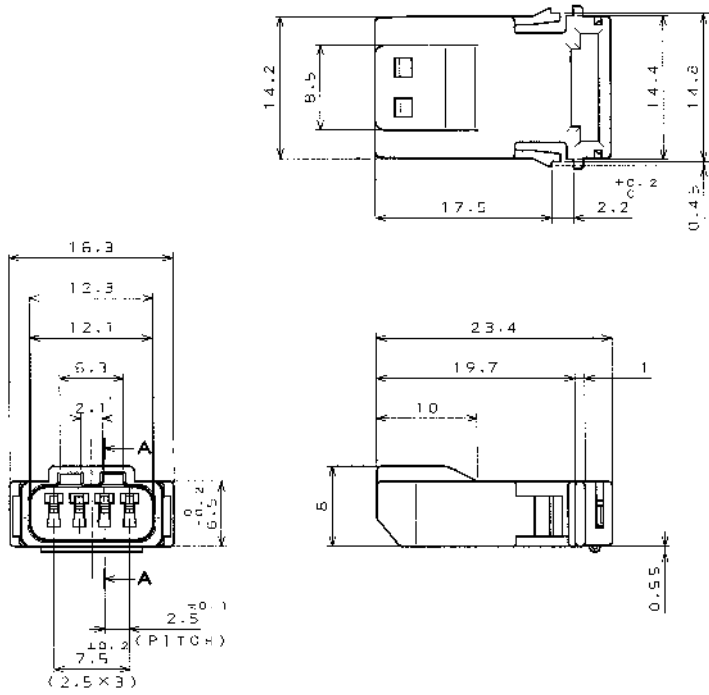


Product List			
Product Name	MX19004P51		
Status	Active		
RoHS compliant	Yes		
Connector types	Pin housing		
Number of positions	4		
Cable side termination styles			
Material of insulator	PBT		
Color of insulator	Black		
Material of contact			
Finish of contact in connecting area			
Finish of contact in terminal area			
Applicable cable type			
Applicable cable conductive area (mm ²)			
Applicable cable AWG No.			
Applicable cable sheath diameter (mm)			
Remarks			
Related Documents	DWG	SPEC	
	3D		

98FVFC08
(DRAWING NO.)

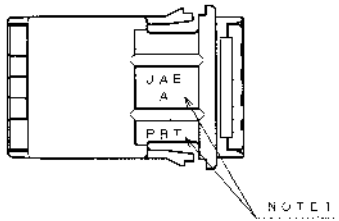
REV.	DATE	DCN NO.	DESCRIPTION	DR.	CHK.	APP.	APP.



NOTE2

NOTE1.EMBOSS COMPANY LOGO"JAE" AND CAVITY DESIGNATOR AND MATERIAL LETTERS.
NOTE2.EMBOSS CONTACT NUMBER.

注1.社標,キャビNo.,材料名を浮き出す。
注2.端子No.を浮き出す。



2	GROMMET	1	SCR	COLOR: BROWN
1	PIN HOUSING	1	PBT	COLOR: BLACK
符号 NO.	名称 DESCRIPTION	個数 QTY.	材料 MATERIAL	備考 REMARKS
仕様書(SPECIFICATION)	原簿(ORIGINAL DATA)	原簿 DR.	原簿 DATE 6.AUG.1999	原簿 FINISH
公差(GENERAL TOLERANCE)	公差(DIMENSION)	角度(ANGLES)	製作者 CHK. APPD. J.MIYAMOTO <i>J. Miyamoto</i>	検査者 CHK. APPD. T. Tetsu <i>T. Tetsu</i>
±0.3	×° *	×° *	MX19004P51	MX19004P51
× ±0.3	×× *	×× *		
×× ±0.3				
××× *				
JAE CONNECTOR CO., LTD.				参考用 Reference Only
JAE ELECTRONICS INDUSTRY, LTD.				
図面番号(DRAWING NO.)				図面 (REV.)
SJ034786				1

本図面は日本航空電子工業(株)の所有する権利を含有し、もて当社の許りになく複製を禁止する。
THIS DRAWING CONTAINS INFORMATION THAT IS PROPRIETARY TO JAE AND CAN NOT BE REPRODUCED WITHOUT WRITTEN CONSENT OF JAE.

DDF-C-212D(98.02)

CDS-69-110-1C411
SIZE A3

