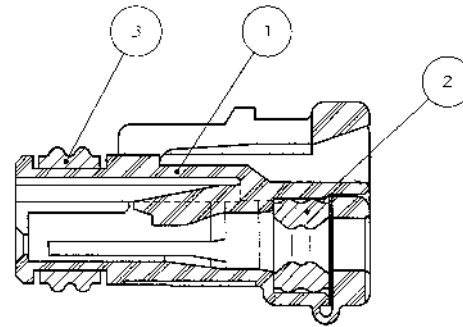
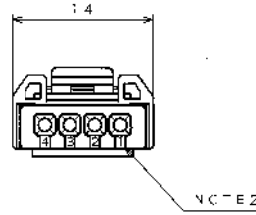
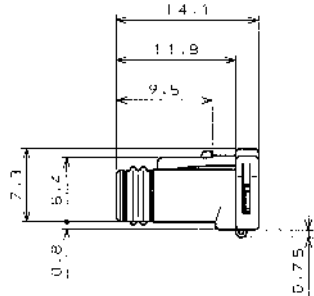
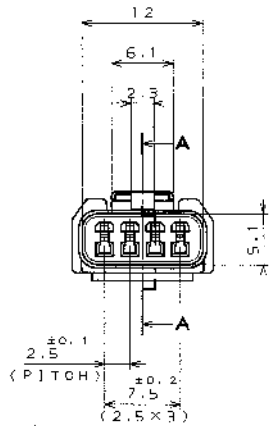


Product List			
Product Name	MX19004S51		
Status	Active		
RoHS compliant	Yes		
Connector types	Socket housing		
Number of positions	4		
Cable side termination styles			
Material of insulator	PBT		
Color of insulator	Black		
Material of contact			
Finish of contact in connecting area			
Finish of contact in terminal area			
Applicable cable type			
Applicable cable conductive area (mm ²)			
Applicable cable AWG No.			
Applicable cable sheath diameter (mm)			
Remarks			
Related Documents	DWG	SPEC	
	3D		

図面番号(DRAWING NO.) SJ034387

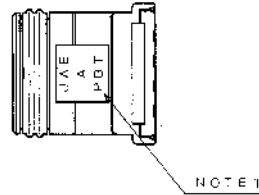
版数 REV.	年月日 DATE	図番 DCN NO.	変更内容 DESCRIPTION	製図 DR.	担当 CHK.	承認 APP.	承認 APP.



SECT. A-A
(SCALE 5:1)

NOTE 1. EMBOSS COMPANY LOGO "JAE" AND CAVITY DESIGNATOR AND MATERIAL LETTERS.
NOTE 2. EMBOSS CONTACT NUMBER.

注 1. 社標, ホ+ゴの印, 材料名を浮き出す。
注 2. 端子 No. を浮き出す。



NOTE 1

3	SEALRING	1	SIR		COLOR: BROWN
2	GROMMET	1	SIR		COLOR: BROWN
1	SOCKET FOCUSING	1	PBT		COLOR: BLACK
符号 NO.	名 DESCRIPTION	個数 QTY.	材 MATERIAL	仕 FINISH	備 REMARKS
仕様書(SPECIFICATION)		原1版(ORIGINAL GATE) 5. Aug. 1959		JAE CONNECTION Reference Only	
公差(GENERAL TOLERANCE)		製図 DR.		名称(TITLE) MX19004851	
寸法(DIMENSION)	角度(ANGLES)	担当 CHK. J. MIYAGOTO		JAE ELECTRONICS INDUSTRY, LTD	
. ± 0.3	X° ±	承認 APPD. <i>[Signature]</i>		図面番号(DRAWING NO.)	
.X ± 0.3	XX° ±	承認 APPD. <i>[Signature]</i>		版数 (REV.)	
.XX ± 0.3	XXX° ±	重量(WEIGHT)		8J034387	
.XXX ±				1	

本図面は日本航空電子工業(株)の所有する情報を含むもので当社の許可なく複製を禁止する。
THIS DRAWING CONTAINS INFORMATION THAT IS PROPRIETARY TO JAE AND CAN NOT BE REPRODUCED WITHOUT WRITTEN CONSENT OF JAE.

PDF-C-2120(98-02)

0 10 20 30 40 50 60 70 80 90 100

CDS-99-110-15411