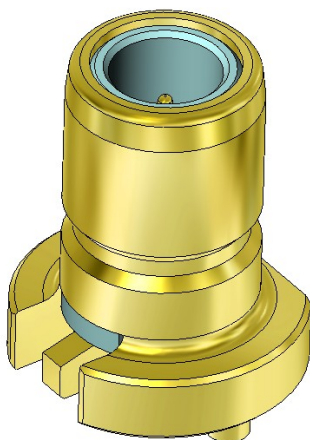


NEW
Compact Coaxial Connectors Compatible with
IEC60169-10 (Type SMB) StandardCONNECTOR
MB-0156-3
October 2010**SMT Type SMB Connector****SMT Type SMB Connector**P/N No.: **SMBR003D00**
SMBR004D00**RoHS Compliant**

The SMB Series are compact coaxial SMB (IEC60169-10) type connectors with terminal area compatible with board surface mounting. These connectors are ideally suited for applications requiring miniaturization and high density such as wireless high-frequency devices, wireless communication devices, and measuring devices.

Features

- Compact coaxial connectors compatible with the IEC60169-10 (Type SMB) standard.
- Compatible with reflow and automatic mounting with vacuum area tape.
- Low profile, connector height 6.5mm from board.
- Available with and without outer conductor SMT area bosses which prevent connector misalignment during reflow.
(with boss type: SMBR003D00; without boss type: SMBR004D00)
- Equivalent high frequency performance as conventional through-hole type connectors.
- Design concept is based on high-accuracy simulation technology to optimize impedance matching, low reflection and low loss.

Applications

Mobile phones, PHS base stations, wireless LAN access points, wireless communication equipment, high frequency modules, wireless power amplifiers, measuring equipment, transmission characteristic measuring devices, RFID (IC tag, automatic identification), broadcasting equipment, etc.

General Specifications

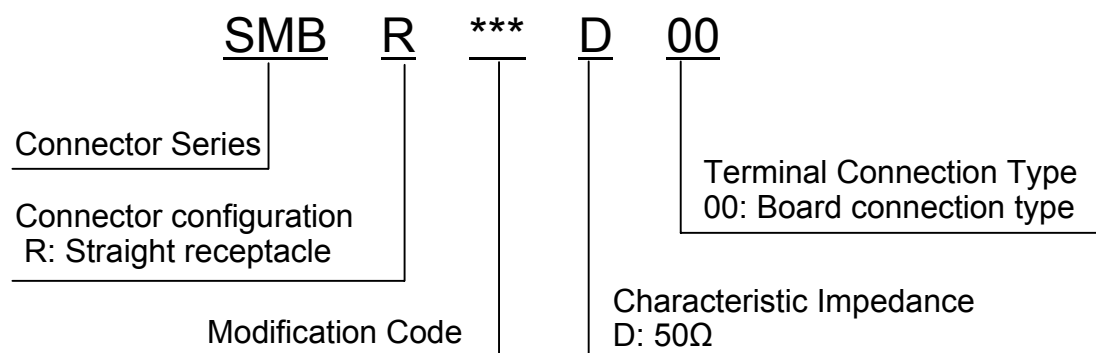
- Characteristic Impedance: 50 ohm
- Operating Frequency: DC to 3GHz
- V.S.W.R.: 1.2 max.
- Rated Current: DC 2A
- Rated Voltage: AC100V.r.m.s
- Operating Temperature: -40 to+85 Deg. C
- Contact Resistance: Initial, 8mΩ max.
(Change after test, 12mΩ max.)
- Dielectric Withstanding Voltage:
AC 500 Vr.m.s (1 min.)
- Insulation Resistance:
500MΩ min. (DC500V)

Materials and Finishes

Component	Material / Finish
Insulator	SPS resin
Signal Contact (Central Conductor)	Phosphor bronze / Au plating over Ni
Outer Conductor (Ground Contact)	Brass / Au plating over Ni

Ordering Information

■Receptacle (Board side)

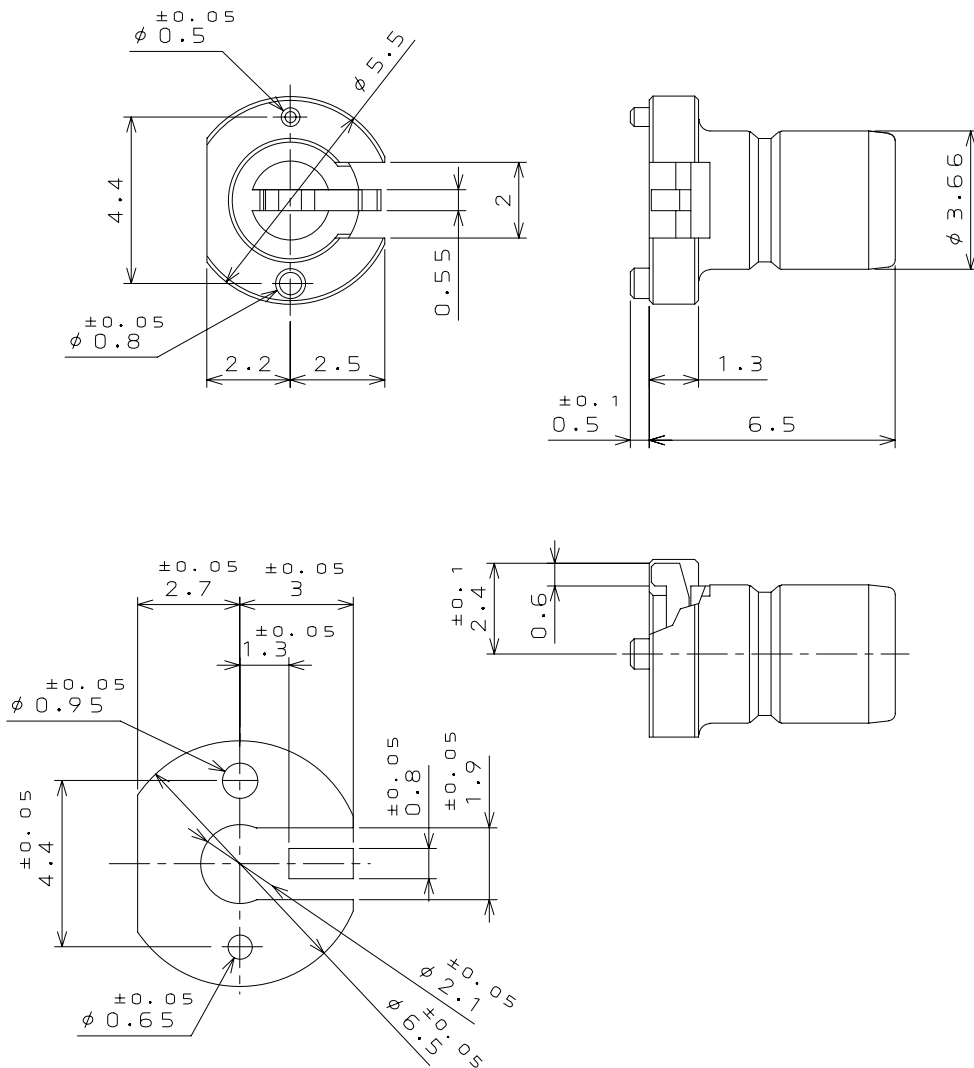


Technical Information

Part Number	SMB003D00 (with SMT area boss)	SMB004D00 (without SMT area boss)
SJ Drawing	SJ105033	SJ107482
Product Specification	JACS-2237-12	

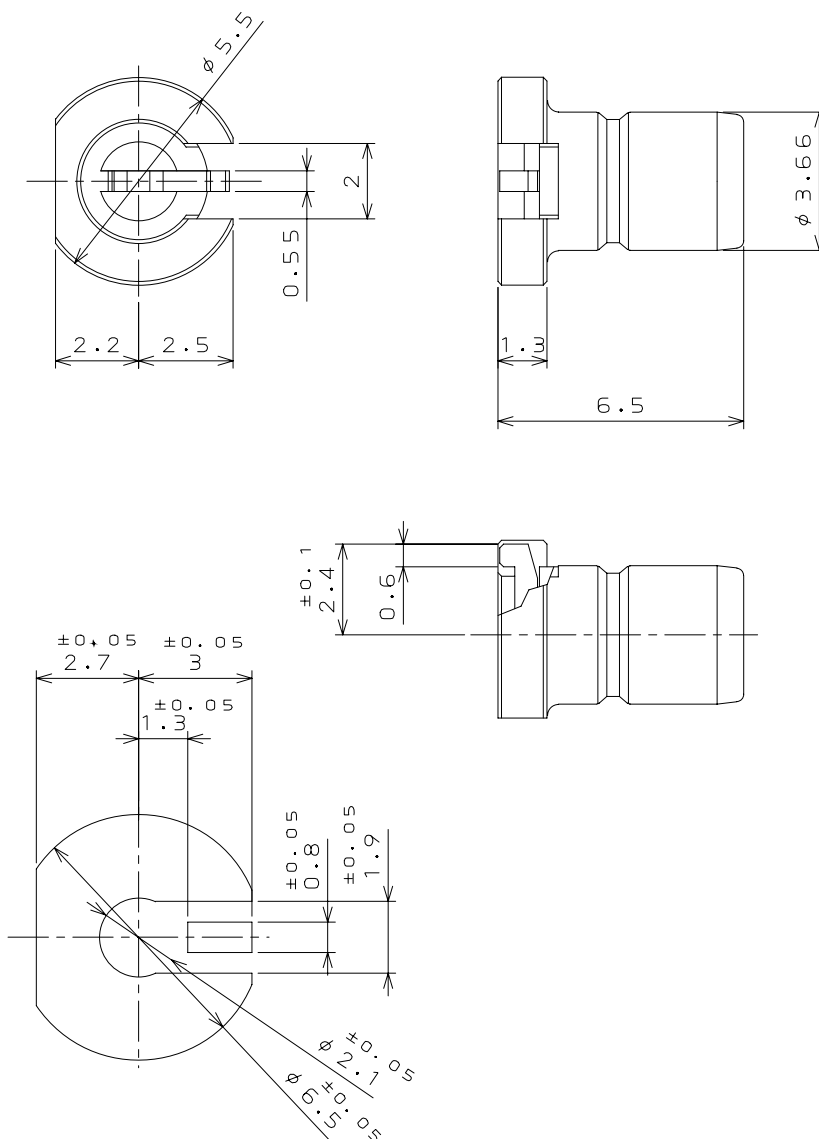
Dimensions and Shapes

■ SMBR003D00 (with SMT area boss)



Applicable board pad dimensions

■ SMBR004D00 (without SMT area boss)



Applicable board pad dimensions

Japan Aviation Electronics Industry, Limited

Product Marketing Division
 Aobadai Building, 3-1-19, Aobadai, Meguro-ku, Tokyo 153-8539
 Phone: +81-3-3780-2787 FAX: +81-3-3780-2946

Notice: Products shown in this leaflet are made for the applications listed below. However, if the above-mentioned products are to be used in aerospace devices, marine cable-connection devices, atomic power control systems, medical equipment for life-support systems, or any other specific application requiring extremely high reliability, please contact JAE for further information.

Recommended applications: Computers, Office machines, Measuring devices, Telecommunication devices (Terminals, Mobile devices), AV devices, Household applications, FA devices, etc.